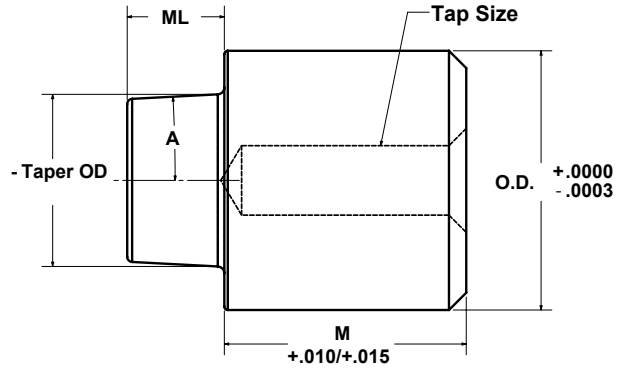


MALE ROUND TAPERED INTERLOCKS

An Inexpensive Alternative
For Straight Parting Line Locks



CATALOG NUMBER

-01 = 1 DEGREE

-03 = 3 DEGREE

-05 = 5 DEGREE

-10 = 10 DEGREE

Made from 52100 Bearing Steel 60-63 R/C

Hardened & Precision Ground Finished

OD	Taper ID	Tap Size	Taper Length ML	Male Length M	Catalog Number	Price
3/8	1/4	10-24 thread	1/4	9/16	RTM0207-10	31.50
				11/16	RTM0211-10	31.50
				7/8	RTM0214-10	31.20
1/2	5/16	10-24 thread	1/4	11/16	RTM0411-01	32.50
					RTM0411-03	31.50
					RTM0411-05	30.50
					RTM0411-10	29.50
					RTM0414-01	33.50
				7/8	RTM0414-03	32.50
					RTM0414-05	31.50
					RTM0414-10	30.50
				1-3/16	RTM0419-01	33.50
					RTM0419-03	32.50
					RTM0419-05	31.50
					RTM0419-10	30.50
				1-3/8	RTM0422-01	33.50
					RTM0422-03	32.50
					RTM0422-05	31.50
RTM0422-10	30.50					
3/4	1/2	1/4-20 thread	9/32	11/16	RTM0611-01	34.50
					RTM0611-03	33.50
					RTM0611-05	32.50
				7/8	RTM0611-10	33.00
					RTM0614-01	34.50
					RTM0614-03	33.50
				RTM0614-05	32.50	
					RTM0614-10	31.50
					RTM0619-01	34.50
				RTM0619-03	33.50	

OD	Taper ID	Tap Size	Taper Length ML	Male Length M	Catalog Number	Price
3/4	1/2	1/4-20 thread	9/32	1-3/16	RTM0619-05	32.50
					RTM0619-10	31.50
				1-3/8	RTM0622-01	35.50
					RTM0622-03	34.50
					RTM0622-05	33.50
1	5/8	1/4-20 thread	11/32	11/16	RTM0811-01	35.50
					RTM0811-03	34.50
					RTM0811-05	33.50
					RTM0811-10	32.50
				7/8	RTM0814-01	37.00
					RTM0814-03	36.00
					RTM0814-05	34.50
				RTM0814-10	33.50	
				1-3/16	RTM0819-01	37.00
					RTM0819-03	36.00
					RTM0819-05	34.50
					RTM0819-10	33.50
				1-3/8	RTM0822-01	38.00
					RTM0822-03	37.00
					RTM0822-05	36.00
RTM0822-10	35.00					
1-1/2	1	5/16-18 thread	1/2	1-1/8	RTM1218-10	46.00
				1-3/8	RTM1222-10	47.00
				1-5/8	RTM1226-10	48.00
2	1-1/2	5/16-18 thread	1/2	1-1/8	RTM1618-10	77.00
				1-3/8	RTM1622-10	77.00
				1-5/8	RTM1626-10	77.00

Prices subject to change without notice

Also Available - Custom Taper Locks manufactured to your specifications