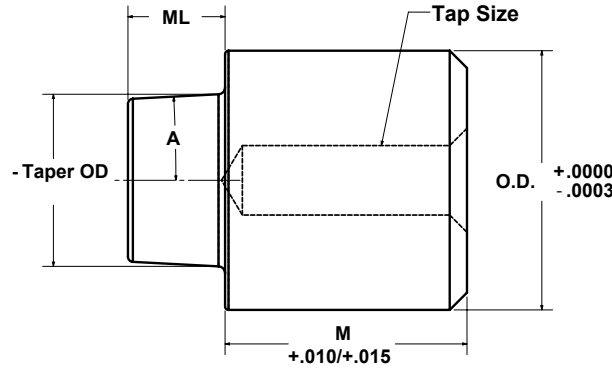


- Ensures positive alignment between mold halves
- All sizes in stock for immediate delivery
- Hardened & Precision Ground/Finished
- Extra stock for precision fitting
- 52100 Bearing Steel
- Male 60 - 63 R/C
- Laser Marked

NEW

In Stock

1 DEGREE ANGLE
3 DEGREE ANGLE
5 DEGREE ANGLE
10 DEGREE ANGLE



Catalog Number:

- 01 = 1 Degree Angle
- 03 = 3 Degree Angle
- 05 = 5 Degree Angle
- 10 = 10 Degree Angle

- *An Inexpensive Alternative For Straight Parting Line Locks*
- *Proudly Made in Michigan by Choice Mold Components*

OD	Taper OD	Tap Size	Taper Length ML	Male Length M	Catalog Number	Price	
3/8	1/4	10-24 thread	1/4	9/16	RTM0207-10	27.00	
				11/16	RTM0211-10	27.00	
				7/8	RTM0214-10	27.00	
1/2	5/16	10-24 thread	1/4	11/16	RTM0411-01	30.00	
					RTM0411-03	29.00	
					RTM0411-05	28.00	
				7/8	RTM0411-10	27.00	
					RTM0414-01	30.50	
					RTM0414-03	29.50	
				7/8	RTM0414-05	28.50	
					RTM0414-10	27.50	
					1-3/16	RTM0419-01	30.75
				RTM0419-03		29.75	
				RTM0419-05		28.75	
				1-3/16	RTM0419-10	27.75	
					1-3/8	RTM0422-01	31.00
						RTM0422-03	30.00
				RTM0422-05		29.00	
				1-3/8	RTM0422-10	28.00	
					11/16	RTM0611-01	31.50
						RTM0611-03	30.50
RTM0611-05	29.50						
11/16	RTM0611-10	28.50					
	7/8	RTM0614-01	31.75				
		RTM0614-03	30.75				
RTM0614-05		29.75					
7/8	RTM0614-10	28.75					
	1-3/16	RTM0619-01	32.00				
		RTM0619-03	31.00				

OD	Taper OD	Tap Size	Taper Length ML	Male Length M	Catalog Number	Price
3/4	1/2	1/4-20 thread	9/32	1-3/16	RTM0619-05	30.00
					RTM0619-10	29.00
				1-3/8	RTM0622-01	32.50
					RTM0622-03	31.50
1-3/8	RTM0622-05	30.50				
	RTM0622-10	29.50				
1	5/8	1/4-20 thread	11/32	11/16	RTM0811-01	33.00
					RTM0811-03	32.00
					RTM0811-05	31.00
					RTM0811-10	30.00
				7/8	RTM0814-01	33.50
					RTM0814-03	32.50
					RTM0814-05	31.50
					RTM0814-10	30.50
				1-3/16	RTM0819-01	34.00
					RTM0819-03	33.00
					RTM0819-05	32.00
					RTM0819-10	31.00
1-3/8	RTM0822-01	34.50				
	RTM0822-03	33.50				
	RTM0822-05	32.50				
	RTM0822-10	31.50				
1-1/2	1	5/16-18 thread	1/2	1-1/8	RTM1218-10	42.00
				1-3/8	RTM1222-10	43.00
				1-5/8	RTM1226-10	44.00
2	1-1/2	5/16-18 thread	1/2	1-1/8	RTM1618-10	52.00
				1-3/8	RTM1622-10	53.00
				1-5/8	RTM1626-10	54.00

Prices subject to change without notice

Also Available - Custom Taper Locks manufactured to your specifications