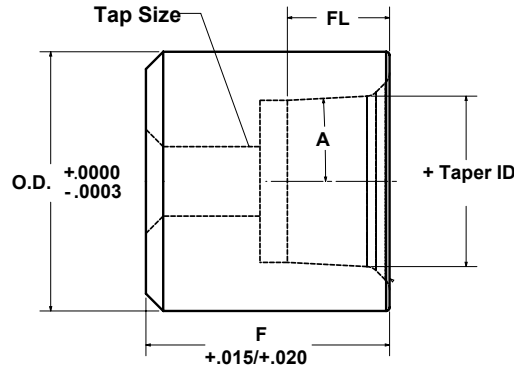


- Ensures positive alignment between mold halves
- All sizes in stock for immediate delivery
- Hardened & Precision Ground/Finished
- Extra stock for precision fitting
- 52100 Bearing Steel
- Female 60 - 63 R/C
- Laser Marked

NEW

In Stock

1 DEGREE ANGLE
3 DEGREE ANGLE
5 DEGREE ANGLE
10 DEGREE ANGLE



Catalog Number:

- 01 = 1 Degree Angle
- 03 = 3 Degree Angle
- 05 = 5 Degree Angle
- 10 = 10 Degree Angle

- *An Inexpensive Alternative For Straight Parting Line Locks*
- *Proudly Made in Michigan by Choice Mold Components*

OD	Taper ID	Tap Size	Taper Length FL	Female Length F	Catalog Number	Price
3/8	1/4	10-24 thread	1/4	9/16	RTF0207-10	21.00
				11/16	RTF0211-10	21.00
				7/8	RTF0214-10	21.00
1/2	5/16	10-24 thread	1/4	11/16	RTF0411-01	30.00
					RTF0411-03	29.00
					RTF0411-05	28.00
					RTF0411-10	27.00
					RTF0414-01	30.50
				7/8	RTF0414-03	29.50
					RTF0414-05	28.50
					RTF0414-10	27.50
				1-3/16	RTF0419-01	30.75
					RTF0419-03	29.75
					RTF0419-05	28.75
					RTF0419-10	27.75
				1-3/8	RTF0422-01	31.00
					RTF0422-03	30.00
					RTF0422-05	29.00
RTF0422-10	28.00					
3/4	1/2	1/4-20 thread	9/32	11/16	RTF0611-01	31.50
					RTF0611-03	30.50
					RTF0611-05	29.50
					RTF0611-10	28.50
				7/8	RTF0614-01	31.75
					RTF0614-03	30.75
					RTF0614-05	29.75
				1-3/16	RTF0614-10	28.75
					RTF0619-01	32.00
					RTF0619-03	31.00

OD	Taper ID	Tap Size	Taper Length FL	Female Length F	Catalog Number	Price
3/4	1/2	1/4-20 thread	9/32	1-3/16	RTF0619-05	30.00
					RTF0619-10	29.00
				1-3/8	RTF0622-01	32.50
					RTF0622-03	31.50
					RTF0622-05	30.50
1	5/8	1/4-20 thread	11/32	11/16	RTF0811-01	33.00
					RTF0811-03	32.00
					RTF0811-05	31.00
					RTF0811-10	30.00
				7/8	RTF0814-01	33.50
					RTF0814-03	32.50
					RTF0814-05	31.50
				1-3/16	RTF0814-10	30.50
					RTF0819-01	34.00
					RTF0819-03	33.00
				1-3/8	RTF0819-05	32.00
					RTF0819-10	31.00
					RTF0822-01	34.50
RTF0822-03	33.50					
1-3/8	RTF0822-05	32.50				
	RTF0822-10	31.50				
	1-1/2	1	5/16-18 thread	1/2	1-1/8	RTF1218-10
1-3/8					RTF1222-10	43.00
1-5/8					RTF1226-10	44.00
2	1-1/2	5/16-18 thread	1/2	1-1/8	RTF1618-10	52.00
				1-3/8	RTF1622-10	53.00
				1-5/8	RTF1626-10	54.00

Prices subject to change without notice

Also Available - Custom Taper Locks manufactured to your specifications