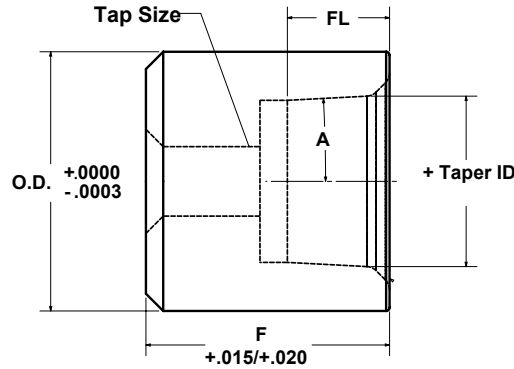


- Ensures positive alignment between mold halves
- All sizes in stock for immediate delivery
- Hardened & Precision Ground/Finished
- Extra stock for precision fitting
- 52100 Bearing Steel
- Female 60 - 63 R/C
- Laser Marked

**NEW**

**In Stock**

**1 DEGREE ANGLE**  
**3 DEGREE ANGLE**  
**5 DEGREE ANGLE**  
**10 DEGREE ANGLE**



Catalog Number:

- 01 = 1 Degree Angle
- 03 = 3 Degree Angle
- 05 = 5 Degree Angle
- 10 = 10 Degree Angle

- *An Inexpensive Alternative For Straight Parting Line Locks*
- *Proudly Made in Michigan by Choice Mold Components*

OD	Taper ID	Tap Size	Taper Length FL	Female Length F	Catalog Number	Price
3/8	1/4	10-24 thread	1/4	9/16	RTF0207-10	24.25
				11/16	RTF0211-10	24.25
				7/8	RTF0214-10	24.25
1/2	5/16	10-24 thread	1/4	11/16	RTF0411-01	27.00
					RTF0411-03	26.00
					RTF0411-05	25.00
				7/8	RTF0411-10	24.00
					RTF0414-01	27.25
					RTF0414-03	26.25
				7/8	RTF0414-05	25.25
					RTF0414-10	24.25
					1-3/16	RTF0419-01
				RTF0419-03		26.50
				RTF0419-05		25.50
				1-3/8	RTF0419-10	24.50
					RTF0422-01	27.75
					RTF0422-03	26.75
				1-3/8	RTF0422-05	25.75
					RTF0422-10	24.75
					11/16	RTF0611-01
				RTF0611-03		27.00
RTF0611-05	26.00					
RTF0611-10	25.00					
3/4	1/2	1/4-20 thread	9/32	7/8	RTF0614-01	28.25
					RTF0614-03	27.25
				1-3/16	RTF0614-05	26.25
					RTF0614-10	25.25
					RTF0619-01	28.50
RTF0619-03	27.50					

OD	Taper ID	Tap Size	Taper Length FL	Female Length F	Catalog Number	Price
3/4	1/2	1/4-20 thread	9/32	1-3/16	RTF0619-05	26.50
					RTF0619-10	25.50
				1-3/8	RTF0622-01	28.75
					RTF0622-03	27.75
					RTF0622-05	26.75
1	5/8	1/4-20 thread	11/32	11/16	RTF0622-10	25.75
					RTF0811-01	29.00
					RTF0811-03	28.00
				7/8	RTF0811-05	27.00
					RTF0811-10	26.00
					7/8	RTF0814-01
				RTF0814-03		28.25
				RTF0814-05		27.25
				1-3/16	RTF0814-10	26.25
					RTF0819-01	29.50
					RTF0819-03	28.50
				1-3/8	RTF0819-05	27.50
					RTF0819-10	26.50
1-3/8	RTF0822-01	29.75				
	RTF0822-03	28.75				
	RTF0822-05	27.75				
	RTF0822-10	26.75				
1-1/2	1	5/16-18 thread	1/2	1-1/8	RTF1218-10	33.00
				1-3/8	RTF1222-10	33.25
				1-5/8	RTF1226-10	33.50
2	1-1/2	5/16-18 thread	1/2	1-1/8	RTF1618-10	43.00
				1-3/8	RTF1622-10	43.25
				1-5/8	RTF1626-10	43.50

Prices subject to change without notice

**Also Available - Custom Taper Locks manufactured to your specifications**