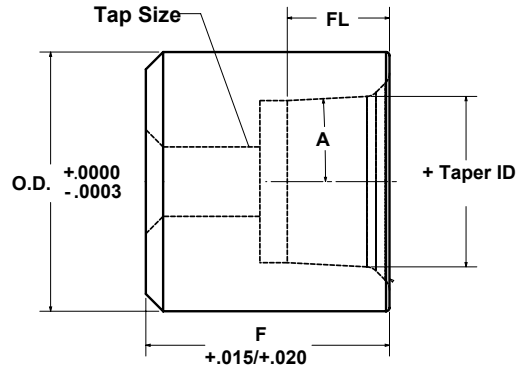


FEMALE ROUND TAPERED INTERLOCKS

An Inexpensive Alternative
For Straight Parting Line Locks



CATALOG NUMBER

- 01 = 1 DEGREE
- 03 = 3 DEGREE
- 05 = 5 DEGREE
- 10 = 10 DEGREE

Made from 52100 Bearing Steel 60-63 R/C
Hardened & Precision Ground Finished

OD	Taper ID	Tap Size	Taper Length FL	Female Length F	Catalog Number	Price
3/8	1/4	10-24 thread	1/4	9/16	RTF0207-10	31.50
				11/16	RTF0211-10	31.50
				7/8	RTF0214-10	31.50
1/2	5/16	10-24 thread	1/4	11/16	RTF0411-01	32.50
					RTF0411-03	31.50
					RTF0411-05	30.50
				7/8	RTF0414-01	33.50
					RTF0414-03	32.50
					RTF0414-05	31.50
				1-3/16	RTF0414-10	30.50
					RTF0419-01	33.50
					RTF0419-03	32.50
				1-3/8	RTF0419-05	31.50
					RTF0419-10	30.50
					RTF0422-01	33.50
				1-3/8	RTF0422-03	32.50
					RTF0422-05	31.50
					RTF0422-10	30.50
3/4	1/2	1/4-20 thread	9/32	11/16	RTF0611-01	34.50
					RTF0611-03	33.50
					RTF0611-05	32.50
				7/8	RTF0611-10	33.00
					RTF0614-01	34.50
					RTF0614-03	33.50
				1-3/16	RTF0614-05	32.50
					RTF0614-10	31.50
					RTF0619-01	34.50
				1-3/16	RTF0619-03	33.50

OD	Taper ID	Tap Size	Taper Length FL	Female Length F	Catalog Number	Price
3/4	1/2	1/4-20 thread	9/32	1-3/16	RTF0619-05	32.50
				RTF0619-10	31.50	
				RTF0622-01	35.50	
				RTF0622-03	34.50	
1	5/8	1/4-20 thread	11/32	11/16	RTF0622-05	33.50
					RTF0622-10	32.50
					RTF0811-01	35.50
					RTF0811-03	34.50
1	5/8	1/4-20 thread	11/32	7/8	RTF0811-05	33.50
					RTF0811-10	32.50
					RTF0814-01	37.00
					RTF0814-03	36.00
1	5/8	1/4-20 thread	11/32	7/8	RTF0814-05	34.50
					RTF0814-10	33.50
					RTF0819-01	37.00
					RTF0819-03	36.00
1-1/2	1	5/16-18 thread	1/2	1-3/16	RTF0819-05	34.50
					RTF0819-10	33.50
					RTF0822-01	38.00
					RTF0822-03	37.00
1-1/2	1	5/16-18 thread	1/2	1-3/8	RTF0822-05	36.00
					RTF0822-10	35.00
					RTF1218-10	46.00
					RTF1222-10	47.00
2	1-1/2	5/16-18 thread	1/2	1-5/8	RTF1226-10	48.00
					RTF1618-10	77.00
					RTF1622-10	77.00
					RTF1626-10	77.00

Prices subject to change without notice

Also Available - Custom Taper Locks manufactured to your specifications