

- Cast Metal for Strength & Durability
- Yellow Powder Coated Finish for High Visibility & Corrosion Resistance
- Safely holds your mold closed during transfer, storage, installation and removal from machines

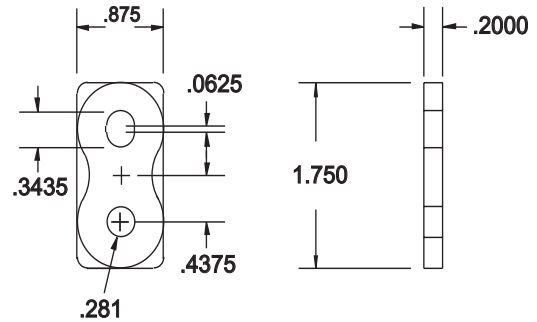
## Small - Fits Molds 5 to 110 Ton

### Part Number - CSS250

Sold 2 to a pack

**\$5.40 (pack of 2 straps)**

Includes 1/4" dia x 5/8" long screws  
Also fits 6 mm screw



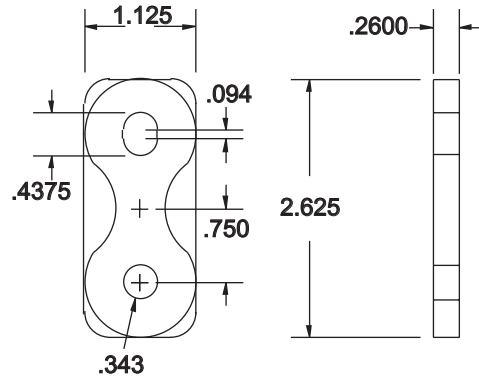
## Medium - Fits Molds 75 to 220 Ton

### Part Number - CSS312

Sold 2 to a pack

**\$6.40 (pack of 2 straps)**

Includes 5/16" dia x 3/4" long screws  
Also fits 8 mm screw



## Large - Fits Molds 180 to 500 Ton

### Part Number - CSS500

Sold 2 to a pack

**\$12.60 (pack of 2 straps)**

Includes 1/2" dia x 1" long screws  
Also fits 12 mm screw

