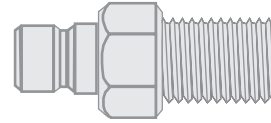
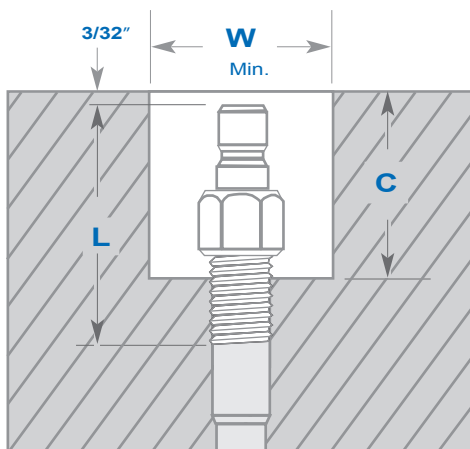


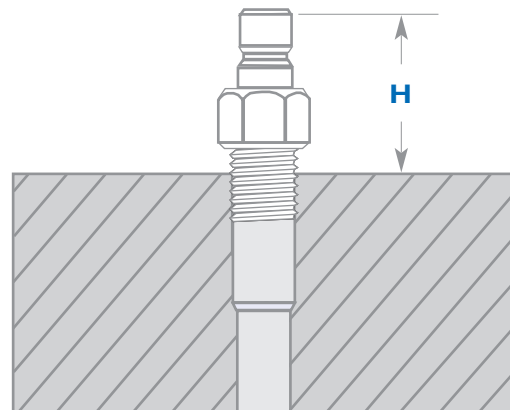
- Male water connectors have a one piece brass construction for easy removal and assembly
- Male may be mounted externally or flush
- Provide and excellent leak-free seal



Overall Length	Hole Dia	C'Bore Depth	C'Bore Dia	External Height	Pipe NPT	Hex Size	Catalog Number	Price
L	O	C	W	H	E	X		
.94	3/16	.763	.588	.670	1/16	3/8	WCM250	\$1.25
1.00	1/4	.763	.688	.670	1/8	7/16	WCM251	\$0.65
1.19	1/4	.968	.798	.875	1/4	9/16	WCM252	\$0.70
1.25	1/4	1.000	.953	.906	3/8	11/16	WCM253	\$1.00
1.19	1/4	1.000	.798	.906	1/8	9/16	WCM351	\$1.00
1.44	3/8	1.120	.798	1.030	1/4	9/16	WCM352	\$0.80
1.44	3/8	1.150	.953	1.060	3/8	11/16	WCM353	\$0.90
1.68	3/8	1.280	1.200	1.190	1/2	7/8	WCM354	\$1.65
1.63	3/8	1.340	1.110	1.250	1/4	13/16	WCM552	\$2.35
1.63	1/2	1.340	1.110	1.250	3/8	13/16	WCM553	\$2.50
1.81	5/8	1.300	1.200	1.350	1/2	7/8	WCM554	\$2.35
1.88	5/8	1.360	1.500	1.300	3/4	1-1/8	WCM556	\$3.50



Flush Mounted



Externally Mounted

Prices subject to change without notice