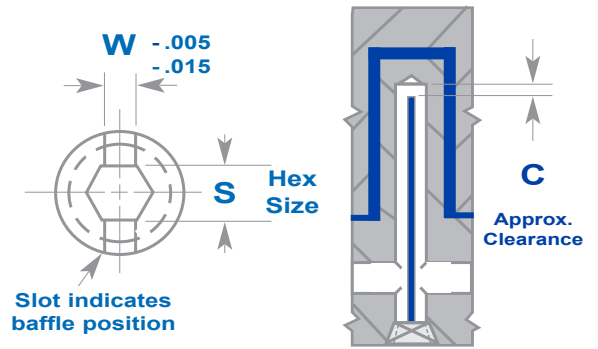


- Orientation slot provided
- A leak-free seal, up to 600 psi
- Exact tolerances for improved flow performance
- Dependable brazed SOLID BRASS construction



Plug NPT	Hex Size	Length	Baffle Thick	Baffle Width	Drill Size	Clear	Thread Length	Catalog Number	Price
P	S	L	T	W	D	C	H		
1/16	5/32	4	3/64	1/4	1/4	.10	.250	SWB01604	\$3.50
1/16	5/32	8	3/64	1/4	1/4	.10	.250	SWB01608	\$3.80
1/8	3/16	4	1/16	5/16	5/16	.12	.250	SWB01204	\$3.50
1/8	3/16	8	1/16	5/16	5/16	.12	.250	SWB01208	\$3.80
1/4	1/4	5	3/32	7/16	7/16	.17	.406	SWB02505	\$4.40
1/4	1/4	10	3/32	7/16	7/16	.17	.406	SWB02510	\$5.00
3/8	5/16	6	3/32	9/16	9/16	.21	.406	SWB03706	\$5.90
3/8	5/16	12	3/32	9/16	9/16	.21	.406	SWB03712	\$6.40
1/2	3/8	8	3/32	11/16	11/16	.26	.531	SWB05008	\$6.50
1/2	3/8	16	3/32	11/16	11/16	.26	.531	SWB05016	\$7.50
3/4	9/16	12	1/8	15/16	15/16	.35	.531	SWB07512	\$10.60
3/4	9/16	20	1/8	15/16	15/16	.35	.531	SWB07520	\$12.60
1	5/8	16	1/8	1-1/8	1-1/8	.42	.656	SWB10016	\$20.70
1	5/8	24	1/8	1-1/8	1-1/8	.42	.656	SWB10024	\$24.80

Prices subject to change without notice