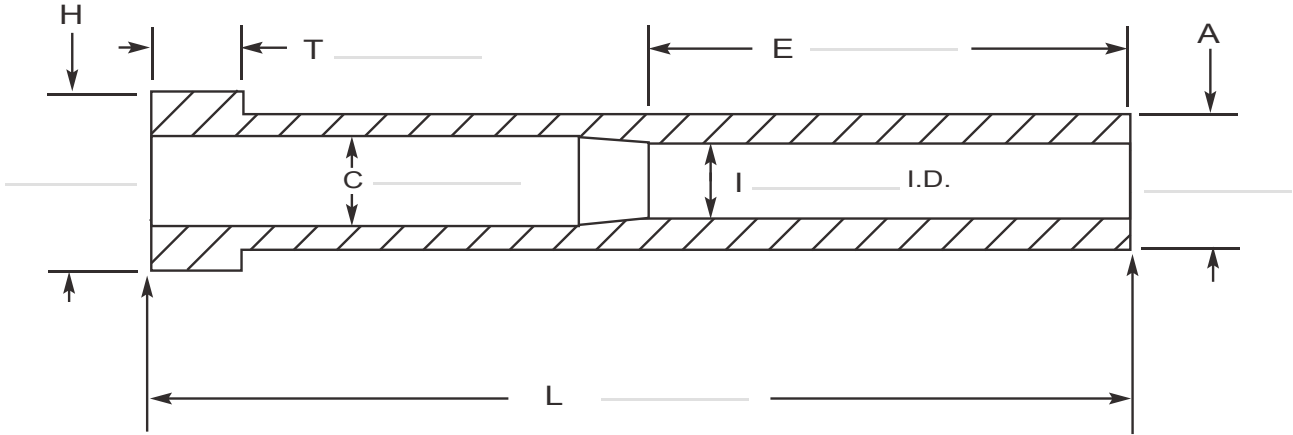


Custom Straight Sleeve



Dimension	Tolerance
A	+0.00
	-0.01
C	+0.10
	-0.10
E	+0.30
	-0.30
H	+0.00
	-0.10

Dimension	Tolerance
I	+0.0005
	-0.0000
L	+0.060
	-0.000
T	+0.000
	-0.002

Quantity:	Surface Treatments	Comments:
_____	<input type="checkbox"/> No Treatment <input type="checkbox"/> Titanium Nitride	_____
Material: _____	<input type="checkbox"/> Gas Nitride <input type="checkbox"/> Armorclad	_____
Hardness: _____	<input type="checkbox"/> Other _____	_____

PLEASE READ CAREFULLY! Verify all dimensions & tolerances before signing! Fax back approved print with order. Parts will be manufactured to these tolerances unless otherwise specified! Your signature indicates that you have looked over the above print and are in agreement with all dimensions & tolerances listed on it. Any mistakes on this sheet made by Choice or otherwise are your responsibility once you sign below. Choice is not responsible, for any chipping, flaking etc. of any surface treatments requested by the Customer.

Signature: _____

PO # _____

Company Name: _____	Phone: _____
Contact: _____	Fax: _____