

Choice™

Choice Mold Components, Inc.
ISO 9001:2008 Registered

Manufacturer and Distributor
of Mold Tooling for
Metal Injection Molding
Plastic Injection Molding
Die Cast Dies

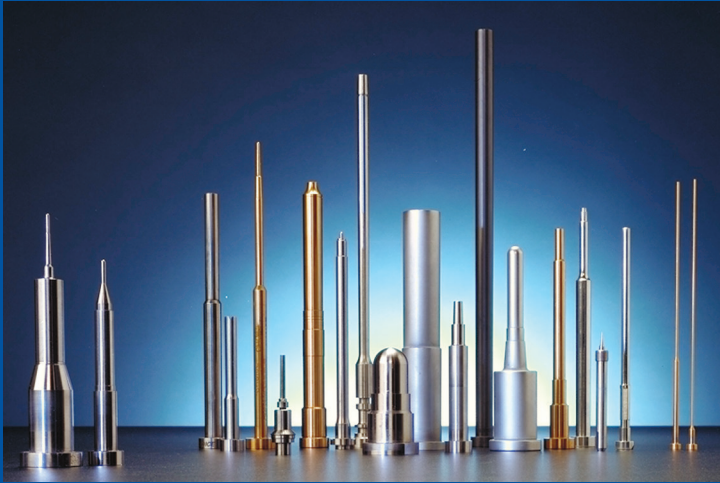
Mold Components Catalog



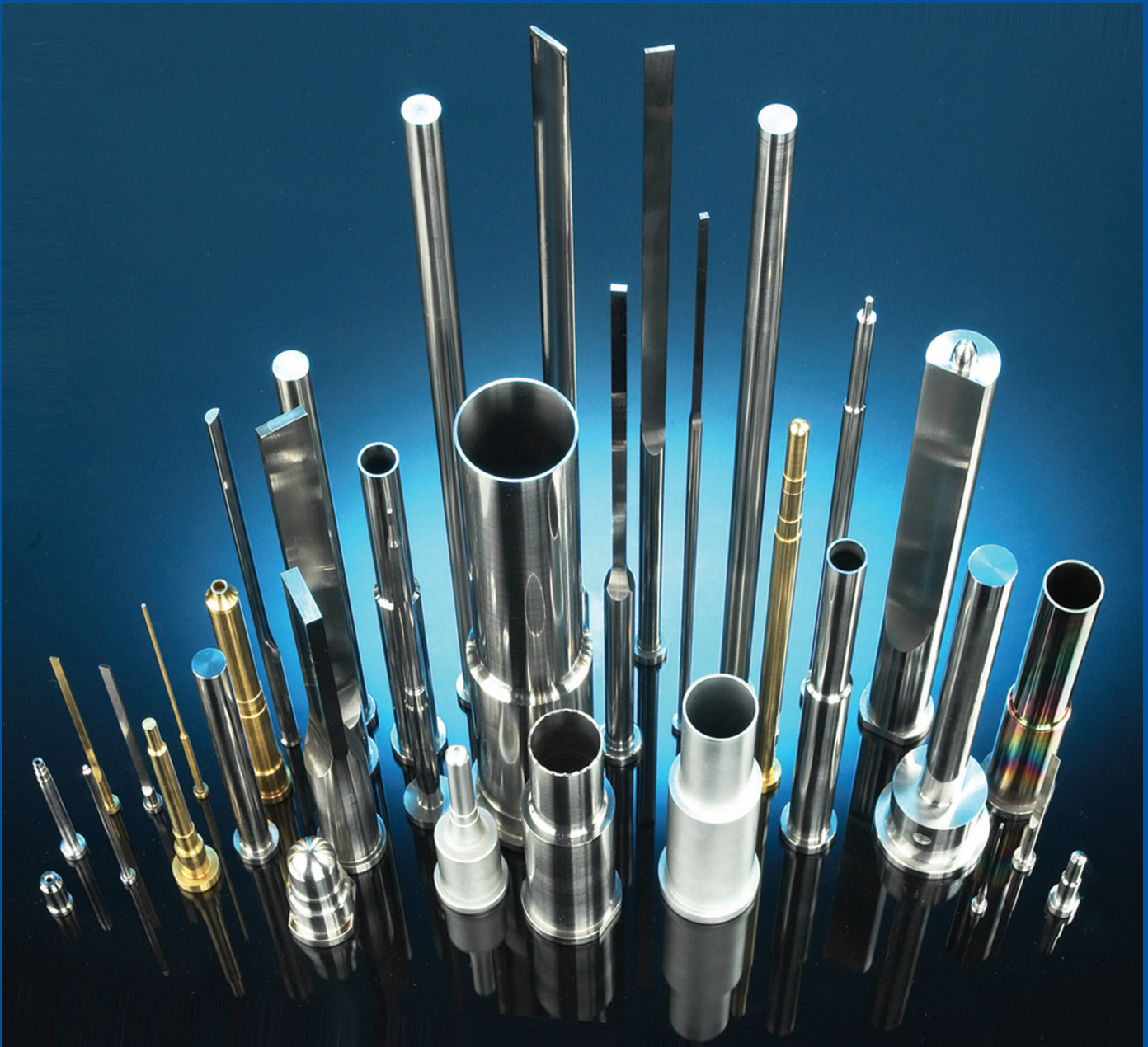
TABLE OF CONTENTS

Section A - Special Services	Catalog Page #	PDF Page #
Custom Ejector Blades	A1	4
Blade Template	A2	5
Custom Form Core Pins	A3	6
Pin Template - Straight	A4	7
Pin Template - Step	A5	8
Custom Ejector Sleeves	A6	9
Sleeve Template - Straight	A7	10
Sleeve Template - Step	A8	11
Custom Water Cooled Cores	A9	12
Water Cooled Cores Template	A10	13
Section B - Ejector Blades	Catalog Page #	PDF Page #
Blade Info	B1-B2	15-16
Euro-Metric	B6-B7	20-21
JIS - Metric	B8	22
US Inch - M-2 Steel	B3-B5	17-19
Section C - Pins & Sleeves	Catalog Page #	PDF Page #
Angle Pins	C17	40
Core Pins: Hard	C15	38
Core Pins: Soft	C16	39
Ejector Pins - Nitrided		
Straight & Oversize	C8-C9	31-32
Step & Oversize	C12	35
Ejector Pins - Thru-Hardened M-2		
Advantages of M-2	C1	24
Straight	C1-C2	24-25
Step	C5-C6	28-29
Ejector Pins - Stainless Steel	C14	37
Ejector Pins - D Head		
Straight - M-2 Steel	C3-C4	26-27
Straight - H-13 Steel	C10-C11	33-34
Step - M-2 Steel	C7	30
Step - H-13 Steel	C13	36
Ejector Sleeves	C18-C19	41-42
Ejector Sleeves - Oversize	C20	43
Section D - Alignment Locks	Catalog Page #	PDF Page #
Tapered Interlocks Info	D1	45
Tapered Interlocks: Round Female	D2	46
Tapered Interlocks: Round Male	D3	47
Tapered Interlocks: Round w/Counterbore	D4	48

Section E - Leader Pins & Bushings	Catalog Page #	PDF Page #
Bushings - Guide: Bronze Plated	E4	53
Bushings - Guide: Graphite Plugged	E5	54
Bushings - Shoulder: Steel	E2	51
Bushings - Shoulder: Bronze	E3	52
Leader Pins	E1	50
Section F - Mold Components	Catalog Page #	PDF Page #
Dowel Pins	F12	67
Locating Rings	F7-F8	62-63
Safety Straps	F14	69
Shoulder Bolts	F9	64
Socket Head Cap Screws	F10	65
Springs: Medium-Duty "Blue"	F1	56
Springs: Medium-Heavy "Red"	F2	57
Sprue Bushings: B Series	F3	58
Sprue Bushings: U Series	F4	59
Stop Pins	F11	66
Support Pillars	F6	61
Tubular Dowels	F13	68
Wear Plate	F5	60
Section G - Temperature Control	Catalog Page #	PDF Page #
Brass Extension Fittings	G1	71
Bubbler Tubes - Stainless	G10	80
Bubbler Tubes - Brass	G11	81
Cascade Heads	G13	83
Cascade Water Junctions	G12	82
Pressure Plugs - Steel	G6	76
Pressure Plugs - Brass	G7	77
Threadless Brass Plugs/O'Rings	G8-G9	78-79
Water Baffles: Straight	G4	74
Water Baffles: Turbo	G5	75
Water Connector Fittings - Male	G2	72
Water Connector Fittings - Female	G3	73
Water Line Diverting Plugs	G14	84
Water Line Spacer Rod	G15	85
Section H - General Information	Catalog Page #	PDF Page #
Company Info	H1	87
Conditions of Sale	H1	87
Credit Application	H2	88
Credit Policy	H1	87
Ordering Info	H1	87



Custom Ejector Blades	A1
Blade Template	A2
Custom Form Core Pins	A3
Straight Pin Template	A4
Step Pin Template	A5
Custom Ejector Sleeves	A6
Straight Sleeve Template	A7
Step Sleeve Template	A8
Custom Water Cooled Core Pins	A9
Core Pin Template	A10

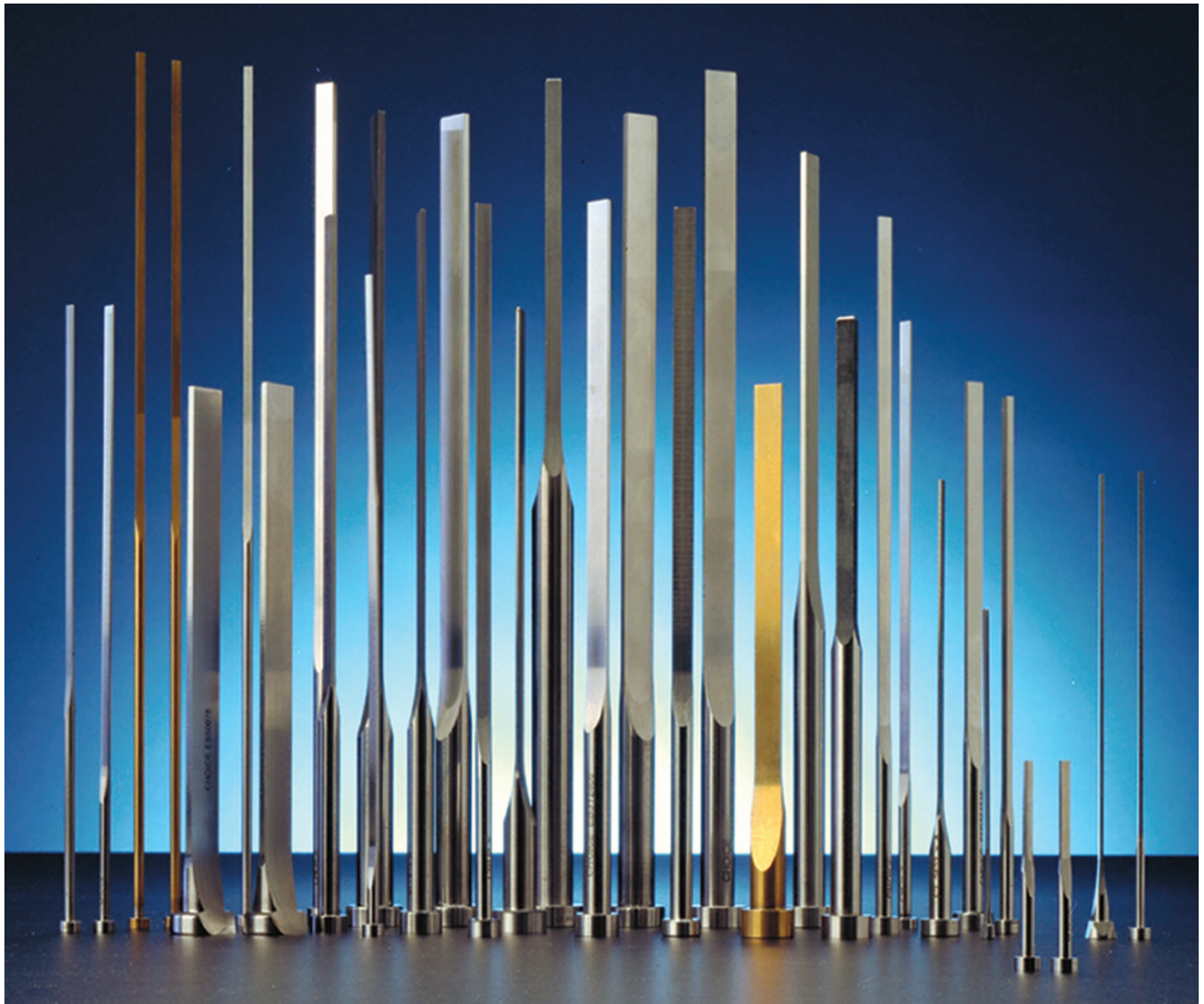


CUSTOM EJECTOR BLADES

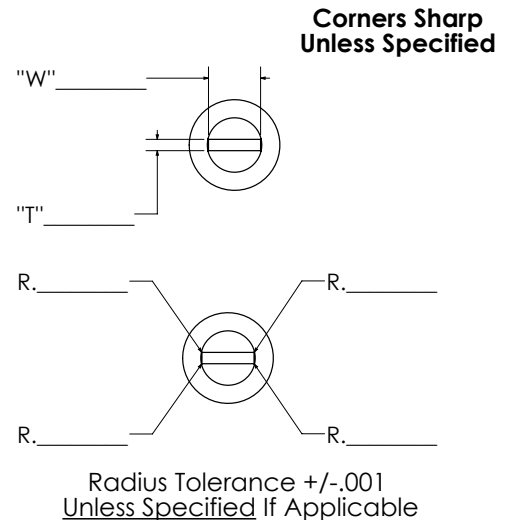
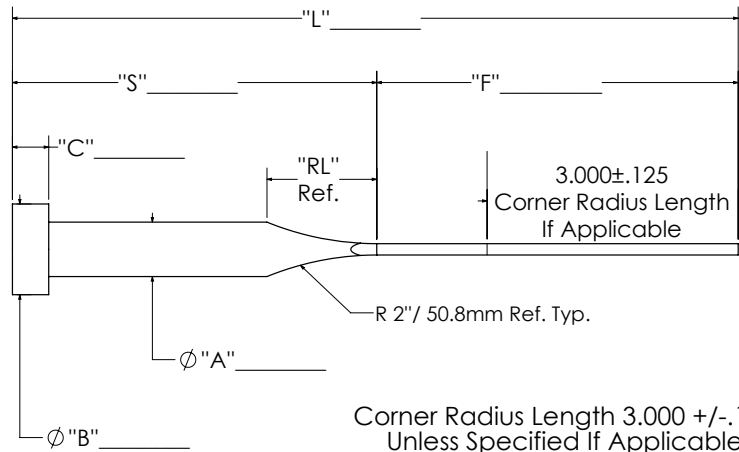
- Manufactured with a one piece design from High Chromium M-2 Steel
- Blade lengths up to 10" with up to 20" overall length maximum
- Parallel ground - smoother running and less cavity wear
- Durable, Rigid, Tempered for Extra Strength
- Custom Flats with smooth ground finish
- Blade diameters from .062" up to 1"
- Resists corrosion, galling & pitting
- Finished overall lengths available
- Corner Radius available
- Relief Grooves available



- **US Inch**
- **JIS Metric**
- **Euro Metric**



CUSTOM EJECTOR BLADES



	Dimension	Inch	M/M	Other
A		+ .000	- .005	
		- .001	- .012	
B		+ .000	+ .000	
		- .010	- .200	
C		+ .000	+ .000	
		- .002	- .050	
F		+ .060	+ 1.00	
		- .000	- .000	
L		+ .060	+ 2.00	
		- .000	- .000	
S		+ .000	+ .000	
		- .060	- 2.00	
T		+ .0000	+ .000	
		- .0003	- .015	
W		+ .0000	+ .000	
		- .0003	- .015	

Quantity:
Material & RC:
Surface Treatment:
Comments:

Company Name:
Contact:
Phone:
Fax:
Email:

PLEASE READ CAREFULLY! Verify all dimensions & tolerances before signing! Fax back approved print with order. Parts will be manufactured to these tolerances unless otherwise specified. Your signature indicates that you have looked over the above print and are in agreement with all dimensions & tolerances listed on it. Any mistakes on this sheet made by Choice or otherwise are your responsibility once you sign below. Choice is not responsible for any chipping, flaking etc. of any surface treatments requested by the Customer.

Signature: _____

Date: _____ PO# _____

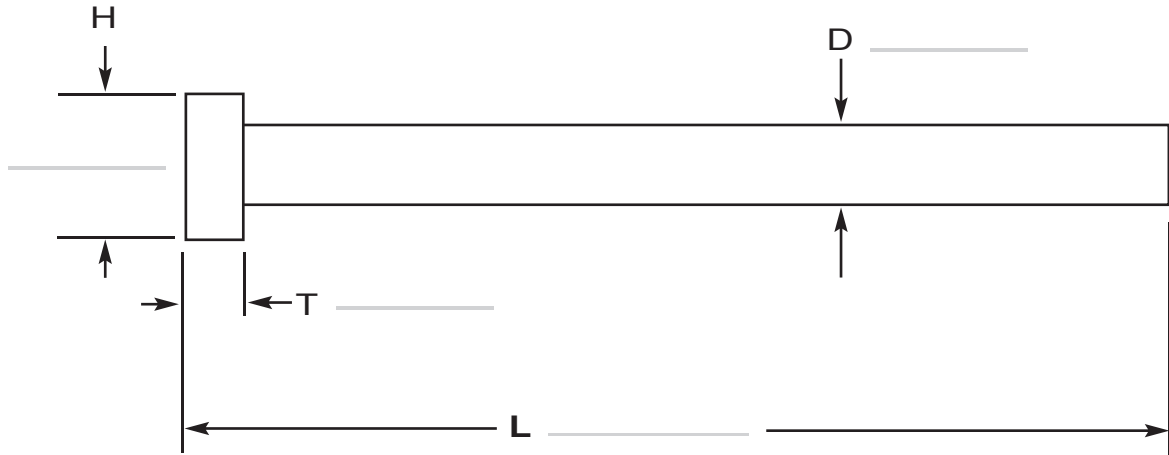
CUSTOM FORM CORE PINS



- Manufactured in a variety of steels: D-2, M-2, H-13, S-7, A-2, Ampco® MoldMax® & Stainless Steel and others upon request.
- Rockwell Hardness ranges to your specifications.
- Computer Numerical Controlled grinding ensures that your exact specifications are met when it comes to forms, profiles, vents, tapers, flats and grooves.
- Critical medical and other demanding applications are fine precision ground - often require less polishing.
- We offer a variety of surface treatments such as Nitride, Titanium Nitride, Laser Nitride, Armorclad, WS-2 and Armoloy to name a few.



CUSTOM PIN - STRAIGHT



	Dimension	Standard Tolerance	Other Tolerance
D		+ .000	
		- .001	
H		+ .000	
		- .010	
T		+ .000	
		- .002	
L		+ .060	
		- .000	

Quantity:
Material & RC:
Surface Treatment:
Comments:

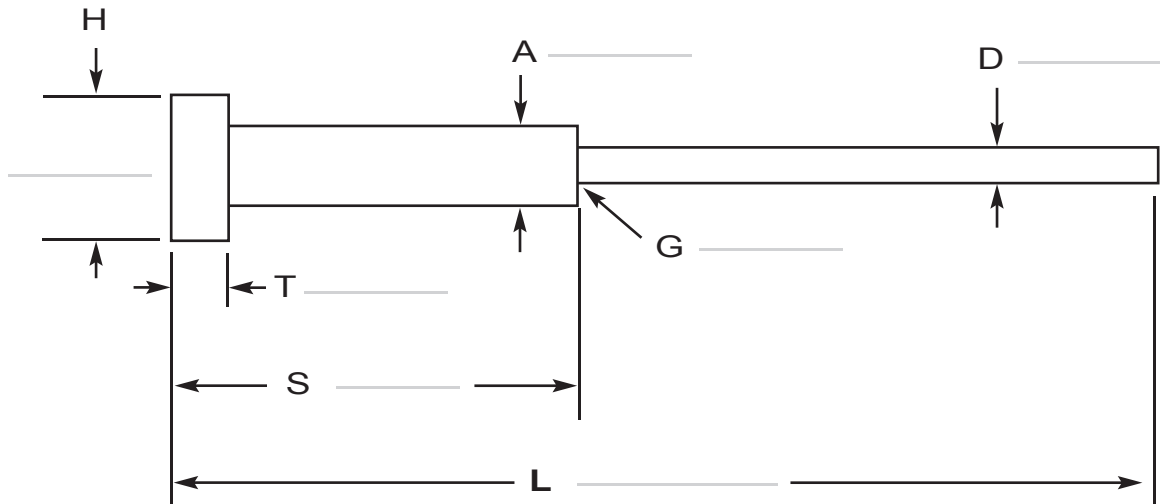
Company Name:
Contact:
Phone:
Fax:
Email:

PLEASE READ CAREFULLY! Verify all dimensions & tolerances before signing! Fax back approved print with order. Parts will be manufactured to these tolerances unless otherwise specified. Your signature indicates that you have looked over the above print and are in agreement with all dimensions & tolerances listed on it. Any mistakes on this sheet made by Choice or otherwise are your responsibility once you sign below. Choice is not responsible for any chipping, flaking etc. of any surface treatments requested by the Customer.

Signature: _____

Date: _____ PO# _____

CUSTOM PIN - STEP



	Dimension	Standard Tolerance	Other Tolerance
A		+ .000	
		- .001	
D		+ .000	
		- .001	
G		+ .010	
		- .010	
H		+ .000	
		- .010	
L		+ .060	
		- .000	
S		+ .000	
		- .060	
T		+ .000	
		- .002	

Quantity:
Material & RC:
Surface Treatment:
Comments:

Company Name:
Contact:
Phone:
Fax:
Email:

PLEASE READ CAREFULLY! Verify all dimensions & tolerances before signing! Fax back approved print with order. Parts will be manufactured to these tolerances unless otherwise specified. Your signature indicates that you have looked over the above print and are in agreement with all dimensions & tolerances listed on it. Any mistakes on this sheet made by Choice or otherwise are your responsibility once you sign below. Choice is not responsible for any chipping, flaking etc. of any surface treatments requested by the Customer.

Signature: _____

Date: _____ PO# _____

CUSTOM EJECTOR SLEEVE

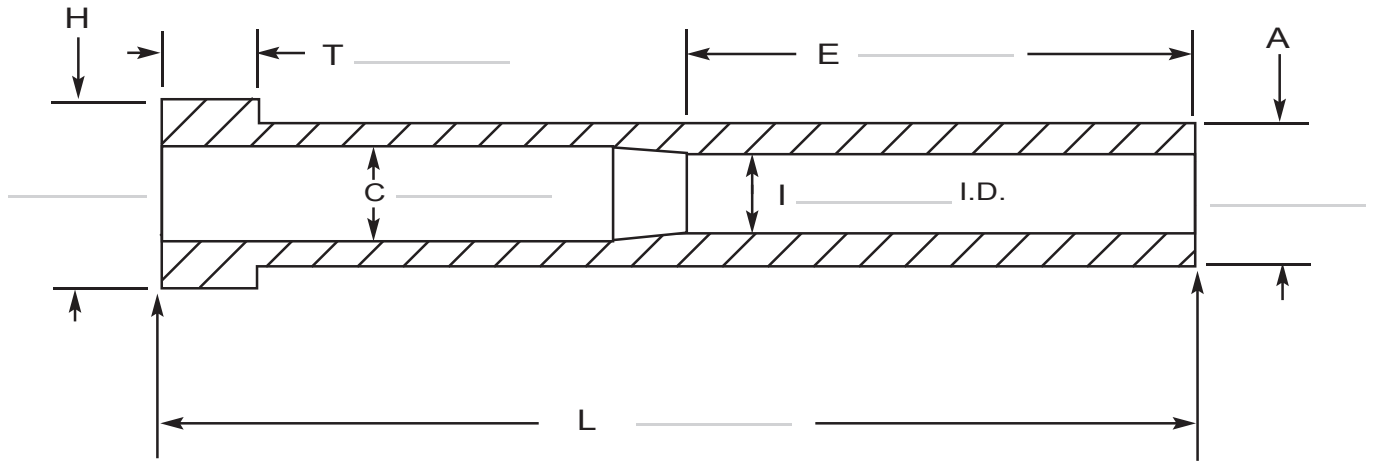
- Manufactured from: H-13, A-2, A-10, D-2, M-2, S-7, Stainless, Ampcoloy, MoldMax®, & others upon request
- Surface treatments available: Nitride, Titanium Nitride, Armorclad®, WS-2®, Armoloy® & others
- Manufactured to a working hardness designed to your application.
- I.D.'s & O.D.'s are ground concentric to ensure proper alignment.
- Overall Lengths ranging from under 1" to 24" long are available.
- Custom sleeves can also be supplied with ejector pins for a matched slip fit.
- Custom vent flats, vent holes, ring vents, grease grooves & other detail grinding available.



- **Step**
- **Straight**
- **Multi-Step**
- **Thin Walled**



CUSTOM STRAIGHT SLEEVE



	Dimension	Standard Tolerance	Other Tolerance
A		+ .000	
		- .001	
C		+ .010	
		- .010	
E		+ .030	
		- .030	
H		+ .000	
		- .010	
I		+ .0005	
		- .0000	
L		+ .060	
		- .000	
T		+ .000	
		- .002	

Quantity:
Material & RC:
Surface Treatment:
Comments:

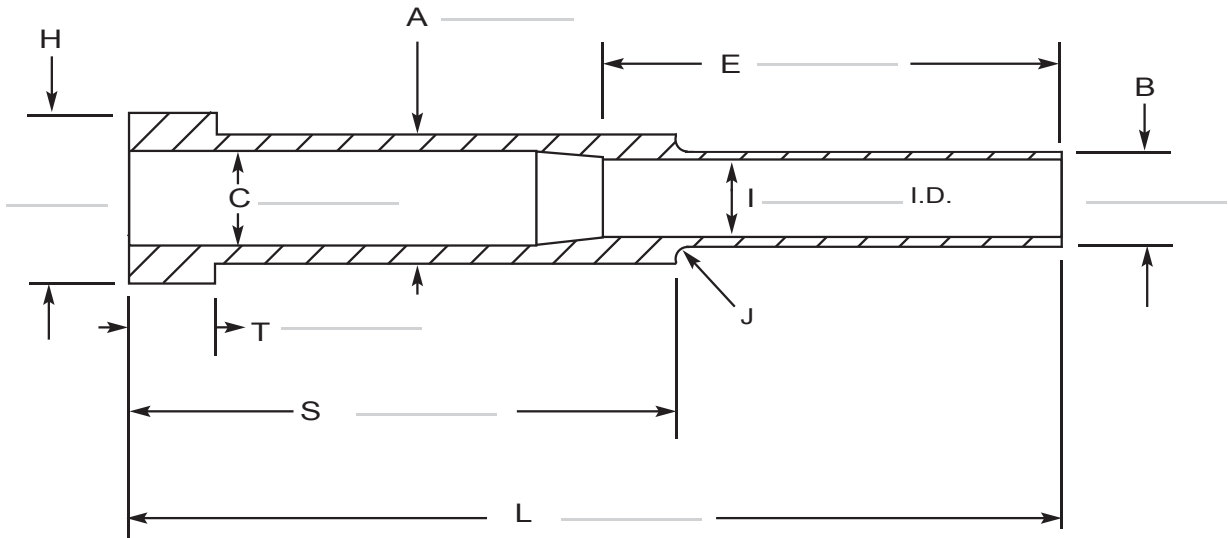
Company Name:
Contact:
Phone:
Fax:
Email:

PLEASE READ CAREFULLY! Verify all dimensions & tolerances before signing! Fax back approved print with order. Parts will be manufactured to these tolerances unless otherwise specified. Your signature indicates that you have looked over the above print and are in agreement with all dimensions & tolerances listed on it. Any mistakes on this sheet made by Choice or otherwise are your responsibility once you sign below. Choice is not responsible for any chipping, flaking etc. of any surface treatments requested by the Customer.

Signature: _____

Date: _____ PO# _____

CUSTOM STEP SLEEVE



	Dimension	Standard Tolerance	Other Tolerance
A		+ .000	
		- .001	
B		+ .000	
		- .001	
C		+ .010	
		- .010	
E		+ .030	
		- .030	
H		+ .000	
		- .010	
I		+ .0005	
		- .0000	
J		+ .010	
		- .010	
L		+ .060	
		- .000	
S		+ .000	
		- .030	
T		+ .000	
		- .002	

Quantity:
Material & RC:
Surface Treatment:
Comments:

Company Name:
Contact:
Phone:
Fax:
Email:

PLEASE READ CAREFULLY! Verify all dimensions & tolerances before signing! Fax back approved print with order. Parts will be manufactured to these tolerances unless otherwise specified. Your signature indicates that you have looked over the above print and are in agreement with all dimensions & tolerances listed on it. Any mistakes on this sheet made by Choice or otherwise are your responsibility once you sign below. Choice is not responsible for any chipping, flaking etc. of any surface treatments requested by the Customer.

Signature: _____

Date: _____ PO# _____

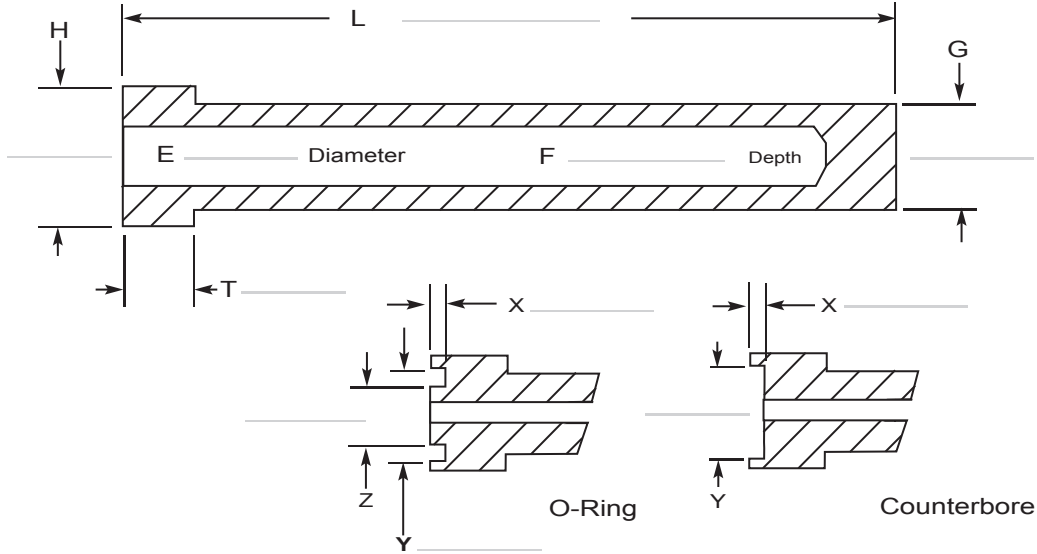
WATER COOLED CORE PINS



- Specially designed - Can be manufactured with coolant hole diameters from .062" to 1.00" and are machined concentric to ensure even cooling and faster machine cycle times.
- Manufactured from: H-13, A-2, A-10, D-2, M-2, S-7, Stainless, Ampcoloy, MoldMax®, & others upon request
- We offer a variety of surface treatments such as: Nitride, Laser Nitride, Titanium Nitride, Armorclad®, WS2® & Armoloy®
- O-Ring grooves and Counterbores are available to your specifications.
- O.D.'s can be precision ground to fit standard or special sleeves.
- Custom vent flats, ring vents, head flats and keying to specifications.
- Fine detail grinding for medical and other demanding applications.



WATER COOLED CORE PIN



Dimension	Standard Tolerance	Other Tolerance
E	+0.002	
	-0.002	
F	+0.000	
	-0.060	
G	+0.000	
	-0.001	
H	+0.000	
	-0.010	
L	+0.060	
	-0.000	
T	+0.000	
	-0.002	
X	+0.002	
	-0.002	
Y	+0.002	
	-0.002	
Z	+0.002	
	-0.002	

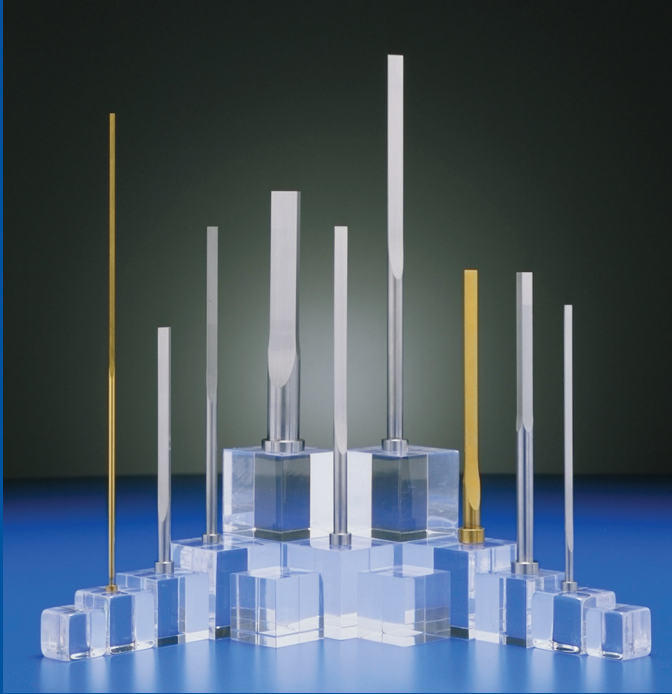
Quantity:
Material & RC:
Surface Treatment:
Comments:

Company Name:
Contact:
Phone:
Fax:
Email:

PLEASE READ CAREFULLY! Verify all dimensions & tolerances before signing! Fax back approved print with order. Parts will be manufactured to these tolerances unless otherwise specified. Your signature indicates that you have looked over the above print and are in agreement with all dimensions & tolerances listed on it. Any mistakes on this sheet made by Choice or otherwise are your responsibility once you sign below. Choice is not responsible for any chipping, flaking etc. of any surface treatments requested by the Customer.

Signature: _____

Date: _____ PO# _____



M-2 Blade Info B1

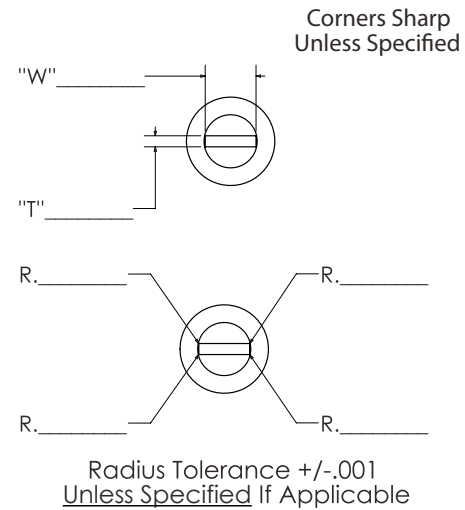
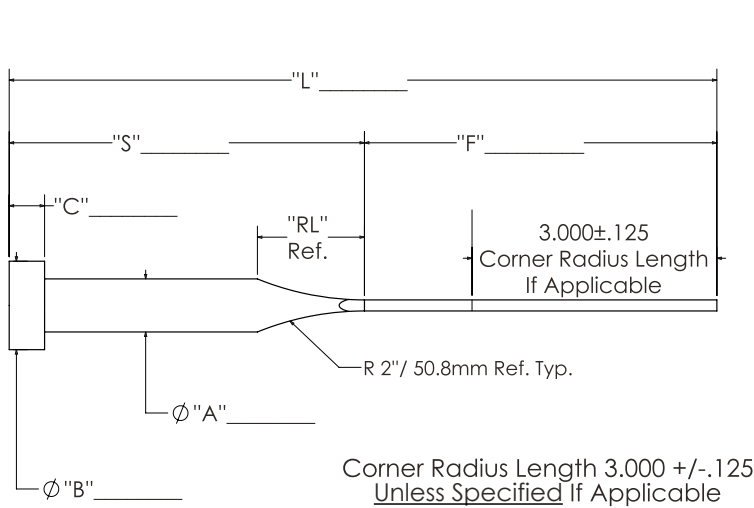
Blade Radius Info B2

US Inch B3 - B5

Euro Metric B6 - B7

JIS B8





Advantages of M-2 Steel

- Coatings available
- Smooth Grind Finish
- Customs to any size & tolerance
- Durable, Rigid, Tempered for Extra Strength
- Manufactured In-House for cost effective, rapid delivery
- Parallel Ground - smoother running and less cavity wear
- One piece design with High Column strength & accuracy
- High Chromium M-2 Steel 58-60 RC resists corrosion, galling & pitting

US Inch Blades

- 350 Standard Sizes
- Blade Lengths up to 6"
- Overall Lengths up to 10"
- Shanks available in 7 different lengths
- Diameters from .062" up to .500"

Euro Metric Blades

- 164 Standard Sizes
- Blade Lengths up to 200MM
- Overall Lengths up to 400MM
- Diameters from 4MM up to 16MM

JIS Metric Blades

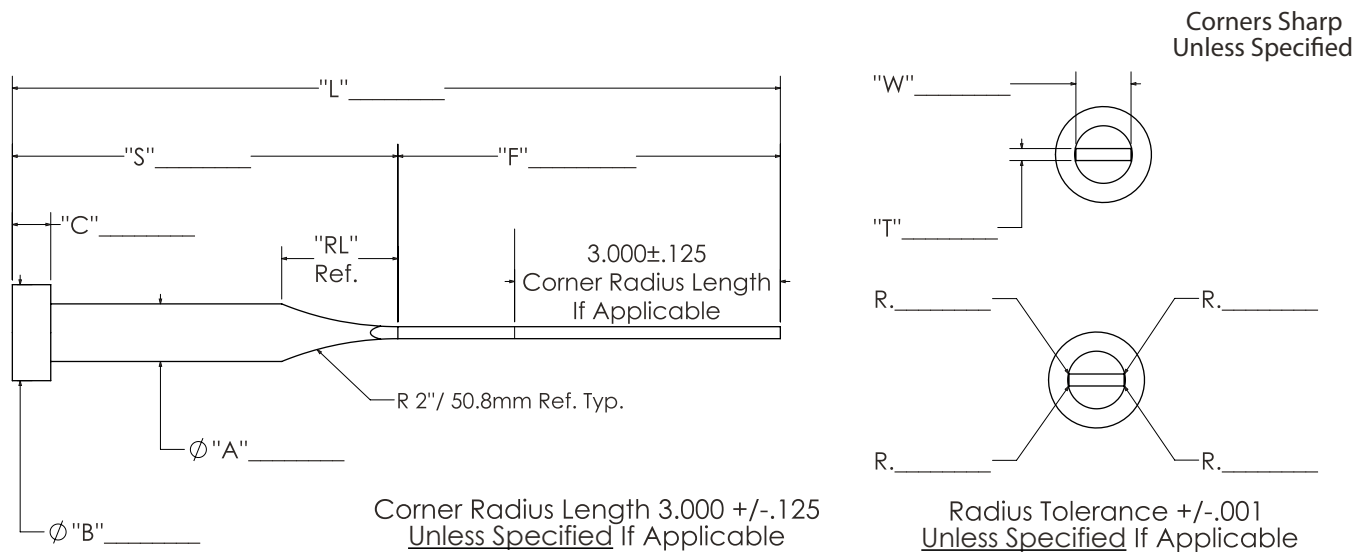
- 158 Standard Sizes
- Blade Lengths up to 120MM
- Overall Lengths up to 200MM
- Diameters from 2MM up to 7MM

**Corner Radius
&
Finished Overall
Lengths
Available**

Standard Tolerances

	Inch	Euro Metric	JIS Metric
A	+0.000 -0.001	-0.005 -0.012	-0.005 -0.012
B	+0.000 -0.010	+0.000 -0.200	+0.000 -0.200
C	+0.000 -0.002	+0.000 -0.050	+0.000 -0.050
F	+0.060 -0.000	+1.00 -0.000	+1.00 -0.000
L	+0.060 -0.000	+2.00 -0.000	+2.00 -0.000
RL	+0.030 -0.030	+1.00 -1.00	+1.00 -1.00
S	+0.000 -0.060	+0.00 -2.00	+0.00 -2.00
T	+0.0000 -0.0003	+0.000 -0.015	+0.000 -0.015
W	+0.0000 -0.0003	+0.000 -0.015	+0.000 -0.015

EJECTOR BLADES WITH RADIUS



Standard Corner Radius Available on 1 to 4 Corners

R.005 R.006 R.007 R.008 R.010 R.012

Standard Radius Tolerance ± 0.001

Standard Radius Length 3.000 ± 0.125

Delivery on Standard Radius & Nitride

- 2 to 5 working days for Radius on Standard Blades in stock
- 5 to 7 working days for Nitride on Standard Blades in stock
- Custom Radius or tolerances available per quote

Try our easy to use template available on our website:

<http://www.choicemold.com/customs-specials/ejector-blades/template/>



M-2 STEEL 58-60 R/C

US INCH EJECTOR BLADES

CORNER RADIUS & FINISHED OVERALL LENGTHS AVAILABLE

Pin Dia	Head		Blade		Lengths			Catalog Number	List Price
	Dia	Thick	Thick	Width	Shank	Blade	Overall		
A	B	C	T	W	S	F	L		
1/16	1/4	1/8	.0200	.0460	1	5	6	EB0621006	31.00
					1-1/2	5-1/2	7	EB0621507	31.00
					2	5	7	EB0622007	31.00
					2-1/2	5-1/2	8	EB0622508	31.00
					3	5	8	EB0623008	31.00
					3-1/2	4-1/2	8	EB0623508	31.00
Radius Length = .290 Ref					4	6	10	EB0624010	31.00
1/16	1/4	1/8	.0240	.0460	1	5	6	EB0611006	31.00
					1-1/2	5-1/2	7	EB0611507	31.00
					2	5	7	EB0612007	31.00
					2-1/2	5-1/2	8	EB0612508	31.00
					3	5	8	EB0613008	31.00
					3-1/2	4-1/2	8	EB0613508	31.00
Radius Length = .275 Ref					4	6	10	EB0614010	31.00
1/16	1/4	1/8	.0320	.0460	1	5	6	EB0631006	31.00
					1-1/2	5-1/2	7	EB0631507	31.00
					2	5	7	EB0632007	31.00
					2-1/2	5-1/2	8	EB0632508	31.00
					3	5	8	EB0633008	31.00
					3-1/2	4-1/2	8	EB0633508	31.00
Radius Length = .245 Ref					4	6	10	EB0634010	31.00
5/64	1/4	1/8	.0200	.0620	1	5	6	EB0721006	31.00
					1-1/2	5-1/2	7	EB0721507	31.00
					2	5	7	EB0722007	31.00
					2-1/2	5-1/2	8	EB0722508	31.00
					3	5	8	EB0723008	31.00
					3-1/2	4-1/2	8	EB0723508	31.00
Radius Length = .340 Ref					4	6	10	EB0724010	31.00
5/64	1/4	1/8	.0240	.0620	1	5	6	EB0711006	31.00
					1-1/2	5-1/2	7	EB0711507	31.00
					2	5	7	EB0712007	31.00
					2-1/2	5-1/2	8	EB0712508	31.00
					3	5	8	EB0713008	31.00
					3-1/2	4-1/2	8	EB0713508	31.00
Radius Length = .322 Ref					4	6	10	EB0714010	31.00
5/64	1/4	1/8	.0320	.0620	1	5	6	EB0731006	31.00
					1-1/2	5-1/2	7	EB0731507	31.00
					2	5	7	EB0732007	31.00
					2-1/2	5-1/2	8	EB0732508	31.00
					3	5	8	EB0733008	31.00
					3-1/2	4-1/2	8	EB0733508	31.00
Radius Length = .305 Ref					4	6	10	EB0734010	31.00
3/32	1/4	1/8	.0200	.0780	1	5	6	EB0921006	31.00
					1-1/2	5-1/2	7	EB0921507	31.00
					2	5	7	EB0922007	31.00
					2-1/2	5-1/2	8	EB0922508	31.00
					3	5	8	EB0923008	31.00
					3-1/2	4-1/2	8	EB0923508	31.00
Radius Length = .380 Ref					4	6	10	EB0924010	31.00
3/32	1/4	1/8	.0240	.0780	1	5	6	EB0911006	31.00
					1-1/2	5-1/2	7	EB0911507	31.00
					2	5	7	EB0912007	31.00
					2-1/2	5-1/2	8	EB0912508	31.00
					3	5	8	EB0913008	31.00
					3-1/2	4-1/2	8	EB0913508	31.00
Radius Length = .368 Ref					4	6	10	EB0914010	31.00

Pin Dia	Head		Blade		Lengths			Catalog Number	List Price
	Dia	Thick	Thick	Width	Shank	Blade	Overall		
A	B	C	T	W	S	F	L		
3/32	1/4	1/8	.0320	.0780	1	5	6	EB0931006	31.00
					1-1/2	5-1/2	7	EB0931507	31.00
					2	5	7	EB0932007	31.00
					2-1/2	5-1/2	8	EB0932508	31.00
					3	5	8	EB0933008	31.00
					3-1/2	4-1/2	8	EB0933508	31.00
Radius Length = .345 Ref					4	6	10	EB0934010	31.00
3/32	1/4	1/8	.0460	.0780	1	5	6	EB0941006	31.00
					1-1/2	5-1/2	7	EB0941507	31.00
					2	5	7	EB0942007	31.00
					2-1/2	5-1/2	8	EB0942508	31.00
					3	5	8	EB0943008	31.00
					3-1/2	4-1/2	8	EB0943508	31.00
Radius Length = .305 Ref					4	6	10	EB0944010	31.00
1/8	1/4	1/8	.0200	.1000	1	5	6	EB1221006	25.00
					1-1/2	5-1/2	7	EB1221507	25.00
					2	5	7	EB1222007	25.00
					2-1/2	5-1/2	8	EB1222508	25.00
					3	5	8	EB1223008	25.00
					4	6	10	EB1224010	25.00
Radius Length = .460 Ref					5	5	10	EB1225010	25.00
1/8	1/4	1/8	.0240	.1000	1	5	6	EB1211006	25.00
					1-1/2	5-1/2	7	EB1211507	25.00
					2	5	7	EB1212007	25.00
					2-1/2	5-1/2	8	EB1212508	25.00
					3	5	8	EB1213008	25.00
					4	6	10	EB1214010	25.00
Radius Length = .444 Ref					5	5	10	EB1215010	25.00
1/8	1/4	1/8	.0320	.1000	1	5	6	EB1231006	25.00
					1-1/2	5-1/2	7	EB1231507	25.00
					2	5	7	EB1232007	25.00
					2-1/2	5-1/2	8	EB1232508	25.00
					3	5	8	EB1233008	25.00
					4	6	10	EB1234010	25.00
Radius Length = .430 Ref					5	5	10	EB1235010	25.00
1/8	1/4	1/8	.0460	.1000	1	5	6	EB1241006	25.00
					1-1/2	5-1/2	7	EB1241507	25.00
					2	5	7	EB1242007	25.00
					2-1/2	5-1/2	8	EB1242508	25.00
					3	5	8	EB1243008	25.00
					4	6	10	EB1244010	25.00
Radius Length = .395 Ref					5	5	10	EB1245010	25.00
5/32	9/32	5/32	.0200	.1400	1	5	6	EB1521006	27.00
					1-1/2	5-1/2	7	EB1521507	27.00
					2	5	7	EB1522007	27.00
					2-1/2	5-1/2	8	EB1522508	27.00
					3	5	8	EB1523008	27.00
					4	6	10	EB1524010	27.00
Radius Length = .520 Ref					5	5	10	EB1525010	27.00
5/32	9/32	5/32	.0240	.1400	1	5	6	EB1511006	27.00
					1-1/2	5-1/2	7	EB1511507	27.00
					2	5	7	EB1512007	27.00
					2-1/2	5-1/2	8	EB1512508	27.00
					3	5	8	EB1513008	27.00
					4	6	10	EB1514010	27.00
Radius Length = .508 Ref					5	5	10	EB1515010	27.00

Prices subject to change without notice



Phone: 800-425-3171

world@choicemold.com

Fax: 800-425-3177 B3



M-2 STEEL 58-60 R/C

US INCH EJECTOR BLADES

CORNER RADIUS & FINISHED OVERALL LENGTHS AVAILABLE

Pin Dia	Head		Blade		Lengths			Catalog Number	List Price
	Dia	Thick	Thick	Width	Shank	Blade	Overall		
A	B	C	T	W	S	F	L		
5/32	9/32	5/32	.0320	.1400	1	5	6	EB1531006	27.00
					1-1/2	5-1/2	7	EB1531507	27.00
					2	5	7	EB1532007	27.00
					2-1/2	5-1/2	8	EB1532508	27.00
					3	5	8	EB1533008	27.00
					4	6	10	EB1534010	27.00
Radius Length = .495 Ref					5	5	10	EB1535010	27.00
5/32	9/32	5/32	.0460	.1400	1	5	6	EB1541006	27.00
					1-1/2	5-1/2	7	EB1541507	27.00
					2	5	7	EB1542007	27.00
					2-1/2	5-1/2	8	EB1542508	27.00
					3	5	8	EB1543008	27.00
					4	6	10	EB1544010	27.00
Radius Length = .470 Ref					5	5	10	EB1545010	27.00
3/16	3/8	3/16	.0200	.1720	1	5	6	EB1821006	29.00
					1-1/2	5-1/2	7	EB1821507	29.00
					2	5	7	EB1822007	29.00
					2-1/2	5-1/2	8	EB1822508	29.00
					3	5	8	EB1823008	29.00
					4	6	10	EB1824010	29.00
Radius Length = .575 Ref					5	5	10	EB1825010	29.00
3/16	3/8	3/16	.0240	.1720	1	5	6	EB1811006	29.00
					1-1/2	5-1/2	7	EB1811507	29.00
					2	5	7	EB1812007	29.00
					2-1/2	5-1/2	8	EB1812508	29.00
					3	5	8	EB1813008	29.00
					4	6	10	EB1814010	29.00
Radius Length = .564 Ref					5	5	10	EB1815010	29.00
3/16	3/8	3/16	.0320	.1720	1	5	6	EB1831006	29.00
					1-1/2	5-1/2	7	EB1831507	29.00
					2	5	7	EB1832007	29.00
					2-1/2	5-1/2	8	EB1832508	29.00
					3	5	8	EB1833008	29.00
					4	6	10	EB1834010	29.00
Radius Length = .550 Ref					5	5	10	EB1835010	29.00
3/16	3/8	3/16	.0460	.1720	1	5	6	EB1841006	29.00
					1-1/2	5-1/2	7	EB1841507	29.00
					2	5	7	EB1842007	29.00
					2-1/2	5-1/2	8	EB1842508	29.00
					3	5	8	EB1843008	29.00
					4	6	10	EB1844010	29.00
Radius Length = .525 Ref					5	5	10	EB1845010	29.00
3/16	3/8	3/16	.0620	.1720	1	5	6	EB1861006	29.00
					1-1/2	5-1/2	7	EB1861507	29.00
					2	5	7	EB1862007	29.00
					2-1/2	5-1/2	8	EB1862508	29.00
					3	5	8	EB1863008	29.00
					4	6	10	EB1864010	29.00
Radius Length = .495 Ref					5	5	10	EB1865010	29.00
7/32	13/32	3/16	.0200	.2000	1	5	6	EB2121006	32.00
					1-1/2	5-1/2	7	EB2121507	32.00
					2	5	7	EB2122007	32.00
					2-1/2	5-1/2	8	EB2122508	32.00
					3	5	8	EB2123008	32.00
					4	6	10	EB2124010	32.00
Radius Length = .625 Ref					5	5	10	EB2125010	32.00

Pin Dia	Head		Blade		Lengths			Catalog Number	List Price
	Dia	Thick	Thick	Width	Shank	Blade	Overall		
A	B	C	T	W	S	F	L		
7/32	13/32	3/16	.0320	.2000	1	5	6	EB2131006	32.00
					1-1/2	5-1/2	7	EB2131507	32.00
					2	5	7	EB2132007	32.00
					2-1/2	5-1/2	8	EB2132508	32.00
					3	5	8	EB2133008	32.00
					4	6	10	EB2134010	32.00
Radius Length = .605 Ref					5	5	10	EB2135010	32.00
7/32	13/32	3/16	.0460	.2000	1	5	6	EB2141006	32.00
					1-1/2	5-1/2	7	EB2141507	32.00
					2	5	7	EB2142007	32.00
					2-1/2	5-1/2	8	EB2142508	32.00
					3	5	8	EB2143008	32.00
					4	6	10	EB2144010	32.00
Radius Length = .585 Ref					5	5	10	EB2145010	32.00
7/32	13/32	3/16	.0620	.2000	1	5	6	EB2161006	32.00
					1-1/2	5-1/2	7	EB2161507	32.00
					2	5	7	EB2162007	32.00
					2-1/2	5-1/2	8	EB2162508	32.00
					3	5	8	EB2163008	32.00
					4	6	10	EB2164010	32.00
Radius Length = .560 Ref					5	5	10	EB2165010	32.00
1/4	7/16	3/16	.0200	.2340	1	5	6	EB2521006	32.00
					1-1/2	5-1/2	7	EB2521507	32.00
					2	5	7	EB2522007	32.00
					2-1/2	5-1/2	8	EB2522508	32.00
					3	5	8	EB2523008	32.00
					4	6	10	EB2524010	32.00
Radius Length = .670 Ref					5	5	10	EB2525010	32.00
1/4	7/16	3/16	.0320	.2340	1	5	6	EB2531006	32.00
					1-1/2	5-1/2	7	EB2531507	32.00
					2	5	7	EB2532007	32.00
					2-1/2	5-1/2	8	EB2532508	32.00
					3	5	8	EB2533008	32.00
					4	6	10	EB2534010	32.00
Radius Length = .655 Ref					5	5	10	EB2535010	32.00
1/4	7/16	3/16	.0460	.2340	1	5	6	EB2541006	32.00
					1-1/2	5-1/2	7	EB2541507	32.00
					2	5	7	EB2542007	32.00
					2-1/2	5-1/2	8	EB2542508	32.00
					3	5	8	EB2543008	32.00
					4	6	10	EB2544010	32.00
Radius Length = .635 Ref					5	5	10	EB2545010	32.00
1/4	7/16	3/16	.0620	.2340	1	5	6	EB2561006	32.00
					1-1/2	5-1/2	7	EB2561507	32.00
					2	5	7	EB2562007	32.00
					2-1/2	5-1/2	8	EB2562508	32.00
					3	5	8	EB2563008	32.00
					4	6	10	EB2564010	32.00
Radius Length = .610 Ref					5	5	10	EB2565010	32.00
9/32	7/16	1/4	.0320	.2640	1	5	6	EB2831006	38.00
					1-1/2	5-1/2	7	EB2831507	38.00
					2	5	7	EB2832007	38.00
					2-1/2	5-1/2	8	EB2832508	38.00
					3	5	8	EB2833008	38.00
					4	6	10	EB2834010	38.00
Radius Length = .695 Ref					5	5	10	EB2835010	38.00

Prices subject to change without notice





M-2 STEEL 58-60 R/C

US INCH EJECTOR BLADES

CORNER RADIUS & FINISHED OVERALL LENGTHS AVAILABLE

Pin Dia	Head		Blade		Lengths			Catalog Number	List Price
	Dia	Thick	Thick	Width	Shank	Blade	Overall		
A	B	C	T	W	S	F	L		
9/32	7/16	1/4	.0460	.2640	1	5	6	EB2841006	38.00
					1-1/2	5-1/2	7	EB2841507	38.00
					2	5	7	EB2842007	38.00
					2-1/2	5-1/2	8	EB2842508	38.00
					3	5	8	EB2843008	38.00
Radius Length = .675 Ref					4	6	10	EB2844010	38.00
Radius Length = .675 Ref					5	5	10	EB2845010	38.00
9/32	7/16	1/4	.0620	.2640	1	5	6	EB2861006	38.00
					1-1/2	5-1/2	7	EB2861507	38.00
					2	5	7	EB2862007	38.00
					2-1/2	5-1/2	8	EB2862508	38.00
					3	5	8	EB2863008	38.00
Radius Length = .655 Ref					4	6	10	EB2864010	38.00
Radius Length = .655 Ref					5	5	10	EB2865010	38.00
5/16	1/2	1/4	.0320	.2970	1	5	6	EB3131006	36.00
					1-1/2	5-1/2	7	EB3131507	36.00
					2	5	7	EB3132007	36.00
					2-1/2	5-1/2	8	EB3132508	36.00
					3	5	8	EB3133008	36.00
Radius Length = .740 Ref					4	6	10	EB3134010	36.00
Radius Length = .740 Ref					5	5	10	EB3135010	36.00
5/16	1/2	1/4	.0460	.2970	1	5	6	EB3141006	36.00
					1-1/2	5-1/2	7	EB3141507	36.00
					2	5	7	EB3142007	36.00
					2-1/2	5-1/2	8	EB3142508	36.00
					3	5	8	EB3143008	36.00
Radius Length = .720 Ref					4	6	10	EB3144010	36.00
Radius Length = .720 Ref					5	5	10	EB3145010	36.00
5/16	1/2	1/4	.0620	.2970	1	5	6	EB3161006	36.00
					1-1/2	5-1/2	7	EB3161507	36.00
					2	5	7	EB3162007	36.00
					2-1/2	5-1/2	8	EB3162508	36.00
					3	5	8	EB3163008	36.00
Radius Length = .700 Ref					4	6	10	EB3164010	36.00
Radius Length = .700 Ref					5	5	10	EB3165010	36.00
5/16	1/2	1/4	.0780	.2970	1	5	6	EB3171006	36.00
					1-1/2	5-1/2	7	EB3171507	36.00
					2	5	7	EB3172007	36.00
					2-1/2	5-1/2	8	EB3172508	36.00
					3	5	8	EB3173008	36.00
Radius Length = .675 Ref					4	6	10	EB3174010	36.00
Radius Length = .675 Ref					5	5	10	EB3175010	36.00
3/8	5/8	1/4	.0320	.3590	1	5	6	EB3731006	43.00
					1-1/2	5-1/2	7	EB3731507	43.00
					2	5	7	EB3732007	43.00
					2-1/2	5-1/2	8	EB3732508	43.00
					3	5	8	EB3733008	43.00
Radius Length = .810 Ref					4	6	10	EB3734010	43.00
Radius Length = .810 Ref					5	5	10	EB3735010	43.00
3/8	5/8	1/4	.0460	.3590	1	5	6	EB3741006	43.00
					1-1/2	5-1/2	7	EB3741507	43.00
					2	5	7	EB3742007	43.00
					2-1/2	5-1/2	8	EB3742508	43.00
					3	5	8	EB3743008	43.00
Radius Length = .800 Ref					4	6	10	EB3744010	43.00
Radius Length = .800 Ref					5	5	10	EB3745010	43.00
3/8	5/8	1/4	.0620	.3590	1	5	6	EB3761006	43.00
					1-1/2	5-1/2	7	EB3761507	43.00
					2	5	7	EB3762007	43.00
					2-1/2	5-1/2	8	EB3762508	43.00
					3	5	8	EB3763008	43.00
Radius Length = .780 Ref					4	6	10	EB3764010	43.00
Radius Length = .780 Ref					5	5	10	EB3765010	43.00

Pin Dia	Head		Blade		Lengths			Catalog Number	List Price
	Dia	Thick	Thick	Width	Shank	Blade	Overall		
A	B	C	T	W	S	F	L		
3/8	5/8	1/4	.0780	.3590	1	5	6	EB3771006	43.00
					1-1/2	5-1/2	7	EB3771507	43.00
					2	5	7	EB3772007	43.00
					2-1/2	5-1/2	8	EB3772508	43.00
					3	5	8	EB3773008	43.00
Radius Length = .760 Ref					4	6	10	EB3774010	43.00
Radius Length = .760 Ref					5	5	10	EB3775010	43.00
7/16	11/16	1/4	.0320	.4200	1	5	6	EB4331006	85.00
					1-1/2	5-1/2	7	EB4331507	85.00
					2	5	7	EB4332007	85.00
					2-1/2	5-1/2	8	EB4332508	85.00
					3	5	8	EB4333008	85.00
Radius Length = .880 Ref					4	6	10	EB4334010	85.00
Radius Length = .880 Ref					5	5	10	EB4335010	85.00
7/16	11/16	1/4	.0460	.4200	1	5	6	EB4341006	85.00
					1-1/2	5-1/2	7	EB4341507	85.00
					2	5	7	EB4342007	85.00
					2-1/2	5-1/2	8	EB4342508	85.00
					3	5	8	EB4343008	85.00
Radius Length = .865 Ref					4	6	10	EB4344010	85.00
Radius Length = .865 Ref					5	5	10	EB4345010	85.00
7/16	11/16	1/4	.0620	.4200	1	5	6	EB4361006	85.00
					1-1/2	5-1/2	7	EB4361507	85.00
					2	5	7	EB4362007	85.00
					2-1/2	5-1/2	8	EB4362508	85.00
					3	5	8	EB4363008	85.00
Radius Length = .850 Ref					4	6	10	EB4364010	85.00
Radius Length = .850 Ref					5	5	10	EB4365010	85.00
7/16	11/16	1/4	.0780	.4200	1	5	6	EB4371006	85.00
					1-1/2	5-1/2	7	EB4371507	85.00
					2	5	7	EB4372007	85.00
					2-1/2	5-1/2	8	EB4372508	85.00
					3	5	8	EB4373008	85.00
Radius Length = .830 Ref					4	6	10	EB4374010	85.00
Radius Length = .830 Ref					5	5	10	EB4375010	85.00
1/2	3/4	1/4	.0320	.4840	1	5	6	EB5031006	100.00
					1-1/2	5-1/2	7	EB5031507	100.00
					2	5	7	EB5032007	100.00
					2-1/2	5-1/2	8	EB5032508	100.00
					3	5	8	EB5033008	100.00
Radius Length = .940 Ref					4	6	10	EB5034010	100.00
Radius Length = .940 Ref					5	5	10	EB5035010	100.00
1/2	3/4	1/4	.0460	.4840	1	5	6	EB5041006	100.00
					1-1/2	5-1/2	7	EB5041507	100.00
					2	5	7	EB5042007	100.00
					2-1/2	5-1/2	8	EB5042508	100.00
					3	5	8	EB5043008	100.00
Radius Length = .930 Ref					4	6	10	EB5044010	100.00
Radius Length = .930 Ref					5	5	10	EB5045010	100.00
1/2	3/4	1/4	.0620	.4840	1	5	6	EB5061006	100.00
					1-1/2	5-1/2	7	EB5061507	100.00
					2	5	7	EB5062007	100.00
					2-1/2	5-1/2	8	EB5062508	100.00
					3	5	8	EB5063008	100.00
Radius Length = .910 Ref					4	6	10	EB5064010	100.00
Radius Length = .910 Ref					5	5	10	EB5065010	100.00
1/2	3/4	1/4	.0780	.4840	1	5	6	EB5071006	100.00
					1-1/2	5-1/2	7	EB5071507	100.00
					2	5	7	EB5072007	100.00
					2-1/2	5-1/2	8	EB5072508	100.00
					3	5	8	EB5073008	100.00
Radius Length = .895 Ref					4	6	10	EB5074010	100.00
Radius Length = .895 Ref					5	5	10	EB5075010	100.00

Prices subject to change without notice



Phone: 800-425-3171

world@choicemold.com

Fax: 800-425-3177

B5



M-2 STEEL 58-60 R/C

EURO METRIC EJECTOR BLADES

CORNER RADIUS & FINISHED OVERALL LENGTHS AVAILABLE

Pin Dia	Head		Blade		Lengths			Catalog Number	List Price
	Dia	Thick	Thick	Width	Shank	Blade	Overall		
A	B	C	T	W	S	F	L		
4.0	8	3	1.00	3.50	30	95	125	BM04010030	25.20
					40	85	125	BM04010040	25.20
					50	110	160	BM04010050	21.00
					63	97	160	BM04010063	29.40
					80	120	200	BM04010080	32.55
					90	110	200	BM04010090	33.60
Radius Length = 12.14 Ref					100	100	200	BM04010100	34.65
4.0	8	3	1.20	3.50	30	95	125	BM04012030	23.10
					40	85	125	BM04012040	18.90
					50	110	160	BM04012050	19.95
					63	97	160	BM04012063	23.10
					80	120	200	BM04012080	32.55
					90	110	200	BM04012090	33.60
Radius Length = 11.73 Ref					100	100	200	BM04012100	34.65
4.2	8	3	0.80	3.80	30	95	125	BM04208030	21.00
					40	85	125	BM04208040	23.10
					50	110	160	BM04208050	24.15
					63	97	160	BM04208063	25.20
					80	120	200	BM04208080	30.45
					90	110	200	BM04208090	32.55
Radius Length = 12.91 Ref					100	100	200	BM04208100	34.65
4.2	8	3	1.00	3.80	30	95	125	BM04210030	21.00
					40	85	125	BM04210040	22.05
					50	110	160	BM04210050	22.05
					63	97	160	BM04210063	24.15
					80	120	200	BM04210080	25.20
					90	110	200	BM04210090	30.45
Radius Length = 12.53 Ref					100	100	200	BM04210100	34.65
4.2	8	3	1.20	3.80	30	95	125	BM04212030	17.85
					40	85	125	BM04212040	15.75
					50	110	160	BM04212050	16.80
					63	97	160	BM04212063	18.90
					80	120	200	BM04212080	19.95
					90	110	200	BM04212090	24.15
Radius Length = 12.14 Ref					100	100	200	BM04212100	29.40
5.0	10	3	1.00	4.50	30	95	125	BM05010030	24.15
					40	85	125	BM05010040	22.05
					50	110	160	BM05010050	27.30
					63	97	160	BM05010063	34.65
					80	120	200	BM05010080	39.90
					90	110	200	BM05010090	44.10
Radius Length = 13.98 Ref					100	100	200	BM05010100	48.30

Pin Dia	Head		Blade		Lengths			Catalog Number	List Price
	Dia	Thick	Thick	Width	Shank	Blade	Overall		
A	B	C	T	W	S	F	L		
5.0	10	3	1.20	4.50	30	95	125	BM05012030	23.10
					40	85	125	BM05012040	19.95
					50	110	160	BM05012050	26.25
					63	97	160	BM05012063	32.55
					80	120	200	BM05012080	38.85
					90	110	200	BM05012090	44.10
Radius Length = 13.64 Ref					100	100	200	BM05012100	50.40
5.0	10	3	1.50	4.50	30	95	125	BM05015030	23.10
					40	85	125	BM05015040	23.10
					50	110	160	BM05015050	26.25
					63	97	160	BM05015063	27.30
					80	120	200	BM05015080	30.45
					90	110	200	BM05015090	34.65
Radius Length = 13.10 Ref					100	100	200	BM05015100	40.95
6.0	12	5	1.00	5.50	30	95	125	BM06010030	26.25
					40	85	125	BM06010040	23.10
					50	110	160	BM06010050	30.45
					63	97	160	BM06010063	37.80
					80	120	200	BM06010080	43.05
					90	110	200	BM06010090	49.35
Radius Length = 15.59 Ref					100	100	200	BM06010100	54.60
6.0	12	5	1.20	5.50	30	95	125	BM06012030	26.25
					40	85	125	BM06012040	24.15
					50	110	160	BM06012050	24.15
					63	97	160	BM06012063	28.35
					80	120	200	BM06012080	33.60
					90	110	200	BM06012090	39.90
Radius Length = 15.29 Ref					100	100	200	BM06012100	45.15
6.0	12	5	1.50	5.50	30	95	125	BM06015030	29.40
					40	85	125	BM06015040	27.30
					50	110	160	BM06015050	22.05
					63	97	160	BM06015063	27.30
					80	120	200	BM06015080	32.55
					90	110	200	BM06015090	38.85
Radius Length = 14.81 Ref					100	100	200	BM06015100	34.65
6.0	12	5	2.00	5.50	30	95	125	BM06020030	27.30
					40	85	125	BM06020040	22.05
					50	110	160	BM06020050	25.20
					63	97	160	BM06020063	26.25
					80	120	200	BM06020080	32.55
					90	110	200	BM06020090	37.80
Radius Length = 13.98 Ref					100	100	200	BM06020100	33.60

Prices subject to change without notice



Phone: 800-425-3171 world@choicemold.com Fax: 800-425-3177

B6



M-2 STEEL 58-60 R/C

EURO METRIC EJECTOR BLADES

CORNER RADIUS & FINISHED OVERALL LENGTHS AVAILABLE

Pin Dia	Head		Blade		Lengths			Catalog Number	List Price
	Dia	Thick	Thick	Width	Shank	Blade	Overall		
A	B	C	T	W	S	F	L		
8.0	14	5	1.00	7.50	30	95	125	BM08010030	32.55
					40	85	125	BM08010040	32.55
					50	110	160	BM08010050	32.55
					63	97	160	BM08010063	38.85
					80	120	200	BM08010080	43.05
					90	110	200	BM08010090	45.15
Radius Length = 18.36 Ref					100	100	200	BM08010100	49.35
8.0	14	5	1.20	7.50	30	95	125	BM08012030	32.55
					40	85	125	BM08012040	32.55
					50	110	160	BM08012050	32.55
					63	97	160	BM08012063	38.85
					80	120	200	BM08012080	43.05
					90	110	200	BM08012090	45.15
					100	100	200	BM08012100	49.35
					Radius Length = 18.10 Ref				
8.0	14	5	1.50	7.50	30	95	125	BM08015030	34.65
					40	85	125	BM08015040	34.65
					50	110	160	BM08015050	34.65
					63	97	160	BM08015063	43.05
					80	120	200	BM08015080	43.05
					90	110	200	BM08015090	45.15
					100	100	200	BM08015100	47.25
Radius Length = 17.71 Ref					125	125	250	BM08015125	59.85
8.0	14	5	2.00	7.50	30	95	125	BM08020030	30.45
					40	85	125	BM08020040	30.45
					50	110	160	BM08020050	30.45
					63	97	160	BM08020063	36.75
					80	120	200	BM08020080	40.95
					90	110	200	BM08020090	43.05
					100	100	200	BM08020100	45.15
					125	125	250	BM08020125	50.40
Radius Length = 17.04 Ref					155	160	315	BM08020155	64.05
10.0	16	5	1.00	9.50	30	95	125	BM10010030	call
					40	85	125	BM10010040	call
					50	110	160	BM10010050	call
					63	97	160	BM10010063	call
					80	120	200	BM10010080	call
					Radius Length = 20.71 Ref				

Pin Dia	Head		Blade		Lengths			Catalog Number	List Price
	Dia	Thick	Thick	Width	Shank	Blade	Overall		
A	B	C	T	W	S	F	L		
10.0	16	5	1.20	9.50	30	95	125	BM10012030	call
					40	85	125	BM10012040	call
					50	110	160	BM10012050	call
					63	97	160	BM10012063	call
					80	120	200	BM10012080	call
					90	110	200	BM10012090	call
Radius Length = 20.48 Ref					100	100	200	BM10012100	call
10.0	16	5	1.50	9.50	30	95	125	BM10015030	46.20
					40	85	125	BM10015040	49.35
					50	110	160	BM10015050	49.35
					63	97	160	BM10015063	52.50
					80	120	200	BM10015080	55.65
					90	110	200	BM10015090	61.95
					100	100	200	BM10015100	65.10
					125	125	250	BM10015125	71.40
Radius Length = 20.15 Ref					155	160	315	BM10015155	87.15
10.0	16	5	2.00	9.50	30	95	125	BM10020030	52.50
					40	85	125	BM10020040	54.60
					50	110	160	BM10020050	54.60
					63	97	160	BM10020063	55.65
					80	120	200	BM10020080	57.75
					90	110	200	BM10020090	61.95
					100	100	200	BM10020100	64.05
					125	125	250	BM10020125	69.30
					155	160	315	BM10020155	85.05
					Radius Length = 19.57 Ref				
12.0	20	7	2.00	11.50	100	100	200	BM12020100	76.65
					125	125	250	BM12020125	92.40
					155	160	315	BM12020155	110.25
Radius Length = 21.77 Ref					200	200	400	BM12020200	136.50
12.0	20	7	2.50	11.50	100	100	200	BM12025100	71.40
					125	125	250	BM12025125	94.50
					155	160	315	BM12025155	105.00
Radius Length = 21.25 Ref					200	200	400	BM12025200	131.25
16.0	22	7	2.00	15.50	100	100	200	BM16020100	call
					125	125	250	BM16020125	call
					155	160	315	BM16020155	call
Radius Length = 25.49 Ref					200	200	400	BM16020200	call
16.0	22	7	2.50	15.50	100	100	200	BM16025100	call
					125	125	250	BM16025125	call
					155	160	315	BM16025155	call
Radius Length = 25.07 Ref					200	200	400	BM16025200	call

Prices subject to change without notice





M-2 STEEL 58-60 R/C

JIS METRIC EJECTOR BLADES

CORNER RADIUS & FINISHED OVERALL LENGTHS AVAILABLE

A	B	C	W	T	S	F	L	Number	Price
2	5	4	1.2	.4	40	85	125	JB2041204	37.80
					50	75	125	JB2051204	37.80
				.5	40	85	125	JB2041504	37.80
			50		75	125	JB2051504	37.80	
			40		85	125	JB2041505	35.70	
			50	75	125	JB2051505	35.70		
2.5	6	4	2	.4	40	85	125	JB2542004	37.80
					50	75	125	JB2552004	37.80
				.5	40	85	125	JB2542005	35.70
			50		75	125	JB2552005	35.70	
			40		85	125	JB2542006	33.60	
			50	75	125	JB2552006	33.60		
3.5	7	4	3	.6	40	85	125	JB3543006	28.35
					50	75	125	JB3553006	28.35
					60	90	150	JB3563006	28.35
				.8	40	85	125	JB3543008	26.25
					50	75	125	JB3553008	26.25
					60	90	150	JB3563008	26.25
			1.0	40	85	125	JB3543010	23.10	
				50	75	125	JB3553010	23.10	
				60	90	150	JB3563010	23.10	
				40	85	125	JB3543012	21.00	
				50	75	125	JB3553012	21.00	
				60	90	150	JB3563012	21.00	
4	8	6	3	.6	40	85	125	JB4043006	29.40
					50	75	125	JB4053006	29.40
					60	90	150	JB4063006	29.40
				.8	40	85	125	JB4043008	28.35
					50	75	125	JB4053008	28.35
					60	90	150	JB4063008	28.35
			1.0	40	85	125	JB4043010	28.35	
				50	75	125	JB4053010	28.35	
				60	90	150	JB4063010	28.35	
				40	85	125	JB4043012	28.35	
				50	75	125	JB4053012	28.35	
				60	90	150	JB4063012	28.35	
5	9	6	4	.8	40	85	125	JB5044008	28.35
					50	75	125	JB5054008	28.35
					60	90	150	JB5064008	28.35
				70	105	175	JB5074008	28.35	
				1.0	40	85	125	JB5044010	26.25
					50	75	125	JB5054010	26.25
			60		90	150	JB5064010	26.25	
			70	105	175	JB5074010	26.25		
			1.2	50	75	125	JB5054012	26.25	
				60	90	150	JB5064012	26.25	
				70	105	175	JB5074012	26.25	
				50	75	125	JB5054015	26.25	
60	90	150		JB5064015	26.25				
70	105	175		JB5074015	26.25				
6	10	6	5	.8	50	75	125	JB6055008	32.55
					60	90	150	JB6065008	32.55
					70	105	175	JB6075008	32.55
					80	120	200	JB6085008	32.55

A	B	C	W	T	S	F	L	Number	Price			
6	10	6	5	1.0	50	75	125	JB6055010	30.45			
					60	90	150	JB6065010	30.45			
					70	105	175	JB6075010	30.45			
				1.2	80	120	200	JB6085010	30.45			
					50	75	125	JB6055012	30.45			
					60	90	150	JB6065012	30.45			
6	10	6	5	1.2	70	105	175	JB6075012	30.45			
					80	120	200	JB6085012	30.45			
					50	75	125	JB6055015	30.45			
				1.5	60	90	150	JB6065015	30.45			
					70	105	175	JB6075015	30.45			
					80	120	200	JB6085015	30.45			
6	10	6	5	1.8	50	75	125	JB6055018	30.45			
					60	90	150	JB6065018	30.45			
					70	105	175	JB6075018	30.45			
				2.0	80	120	200	JB6085018	30.45			
					50	75	125	JB6055020	30.45			
					60	90	150	JB6065020	30.45			
			7	11	6	6	.8	50	75	125	JB7056008	35.70
								60	90	150	JB7066008	35.70
								70	105	175	JB7076008	35.70
							1.0	80	120	200	JB7086008	35.70
								50	75	125	JB7056010	35.70
								60	90	150	JB7066010	35.70
7	11	6	6	1.0	70	105	175	JB7076010	35.70			
					80	120	200	JB7086010	35.70			
					50	75	125	JB7056012	35.70			
				1.2	60	90	150	JB7066012	35.70			
					70	105	175	JB7076012	35.70			
					80	120	200	JB7086012	35.70			
			7	11	6	6	1.5	50	75	125	JB7056015	35.70
								60	90	150	JB7066015	35.70
								70	105	175	JB7076015	35.70
							1.8	80	120	200	JB7086015	35.70
								50	75	125	JB7056018	35.70
								60	90	150	JB7066018	35.70
7	11	6	6	2.0	70	105	175	JB7076018	35.70			
					80	120	200	JB7086018	35.70			
					50	75	125	JB7056020	35.70			
				.8	60	90	150	JB7066020	35.70			
					70	105	175	JB7076020	35.70			
					80	120	200	JB7086020	35.70			
			10	15	8	8	1.0	50	75	125	JB1058008	40.95
								60	90	150	JB1068008	42.00
								70	105	175	JB1078010	44.10
							1.0	80	120	200	JB1088010	46.20
								100	150	250	JB1108010	50.40
								120	180	300	JB1208010	54.60

A	B	C	W	T	S	F	L	Number	Price				
10	15	8	8	1.2	50	75	125	JB1058012	40.95				
					60	90	150	JB1068012	42.00				
					70	105	175	JB1078012	44.10				
				1.2	80	120	200	JB1088012	46.20				
					100	150	250	JB1108012	50.40				
					120	180	300	JB1208012	54.60				
10	15	8	8	1.5	50	75	125	JB1058015	40.95				
					60	90	150	JB1068015	42.00				
					70	105	175	JB1078015	44.10				
				1.5	80	120	200	JB1088015	50.40				
					100	150	250	JB1108015	48.00				
					120	180	300	JB1208015	54.60				
10	15	8	8	1.8	50	75	125	JB1058018	39.90				
					60	90	150	JB1068018	40.95				
					70	105	175	JB1078018	43.05				
					2.0	80	120	200	JB1088018	50.40			
						100	150	250	JB1108018	48.00			
						120	180	300	JB1208018	53.55			
				10	15	8	8	2.0	50	75	125	JB1058020	39.90
									60	90	150	JB1068020	40.95
									70	105	175	JB1078020	43.05
								2.0	80	120	200	JB1088020	47.25
									100	150	250	JB1108020	50.40
									120	180	300	JB1208020	53.55
12	17	8	10	1.0	60	90	150	JB1261010	call				
					70	105	175	JB1271010	call				
					80	120	200	JB1281010	call				
					1.0	100	150	250	JB1211010	call			
						120	180	300	JB1221010	call			
						60	90	150	JB1261012	call			
				1.2	70	105	175	JB1271012	call				
					80	120	200	JB1281012	call				
					100	150	250	JB1211012	call				
					120	180	300	JB1221012	call				
					1.5	60	90	150	JB1261015	call			
						70	105	175	JB1271015	call			
80	120	200	JB1281015	call									
100	150	250	JB1211015	call									
120	180	300	JB1221015	call									
60	90	150	JB1261018	call									
12	17	8	10	1.8	70	105	175	JB1271018	call				
					80	120	200	JB1281018	call				
					2.0	100	150	250	JB1211018	call			
						120	180	300	JB1221018	call			
						60	90	150	JB1261020	call			
					2.0	70	105	175	JB1271020	call			
				80		120	200	JB1281020	call				
				100		150	250	JB1211020	call				
				120		180	300	JB1221020	call				

A	Pin Diameter	T	Blade Thickness
B	Head Diameter	S	Shank Length
C	Head Thickness	F	Blade Length
W	Blade Width	L	Overall Length

Prices subject to change without notice





Thru-Hardened Ejector Pins

- StraightC1 - C2
- Straight D-Head C3 - C4
- StepC5 - C6
- Step D-Head C7

Nitrided Ejector Pins

- StraightC8 - C9
- Straight D-Head C10 - C11
- StepC12
- Step D-HeadC13

Stainless Steel PinsC14

Core Pins

- Hard CoresC15
- Soft CoresC16

Angle Pins C17

Ejector Sleeves C18 - C19

Oversize Sleeves C20



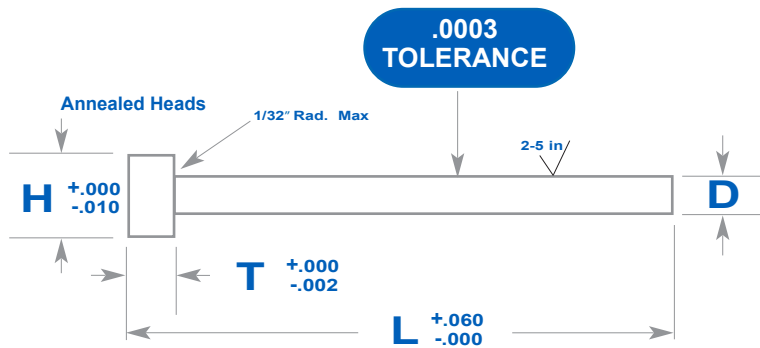


M-2 STEEL 58-60 R/C

THRU HARDENED EJECTOR PINS

Advantages of Choice Thru-Hardened Ejector Pin

- M-2 Steel stays hard to 60 RC in applications up to 1200 Degree F
- Eliminate annealing in applications above 300 Degrees F as found in other thru-hardened pins
- Eliminate wear and galling due to carbon-bonding
- Special material properties create 100% better surface finishes than comparable pins when ground
- Eliminate extra polishing after grinding special form work
- 2 to 5 micro-inch finish is standard - eliminating galling, reducing wear on pins & mold cavities and eliminating chipping
- Tolerance of .0003" on the diameter is equivalent to gage pin tolerances
- Heads are annealed for easy keying and special machining
- All of Choice thru-hardened pins are marked with part number
- Pins can be coated with any coating available
- Special size pins can be easily ground to your specifications



OS = Oversize .005 on (D) Pin Diameter

Pin Dia	Actual Size	Head Dia	Head Thick	Overall Length	Catalog Number	List Price
D	+ .0000 - .0003	H	T	L		
1/32	.0307	1/4	1/8	6.00	XP03106	10.92
	.0357			6.00	XP03106OS	12.13
3/64	.0463	1/4	1/8	6.00	XP04606	7.28
	.0513			6.00	XP04606OS	8.25
1/16	.0620	1/4	1/8	6.00	XP06206	6.07
	.0670			6.00	XP06206OS	7.00
	.0620			10.00	XP06210	9.70
	.0670			10.00	XP06210OS	10.92
5/64	.0776	1/4	1/8	6.00	XP07806	5.76
	.0826			6.00	XP07806OS	6.50
	.0776			10.00	XP07810	10.14
	.0826			10.00	XP07810OS	11.36
3/32	.0932	1/4	1/8	6.00	XP09306	5.46
	.0982			6.00	XP09306OS	6.46
	.0932			10.00	XP09310	8.49
	.0982			10.00	XP09310OS	9.70
7/64	.1088	1/4	1/8	6.00	XP10906	5.16
	.1138			6.00	XP10906OS	6.10
	.1088			10.00	XP10910	8.19
	.1138			10.00	XP10910OS	9.09

Pin Dia	Actual Size	Head Dia	Head Thick	Overall Length	Catalog Number	List Price			
D	+ .0000 - .0003	H	T	L					
1/8	.1245	1/4	1/8	6.00	XP12506	4.24			
	.1295			6.00	XP12506OS	5.10			
	.1245			10.00	XP12510	7.89			
	.1295			10.00	XP12510OS	8.80			
1/8	.1245	1/4	1/8	14.00	XP12514	10.92			
	.1295			14.00	XP12514OS	12.74			
	9/64			.1401	1/4	1/8	6.00	XP14006	4.56
				.1451			6.00	XP14006OS	5.50
.1401		10.00	XP14010	8.19					
.1451		10.00	XP14010OS	9.09					
9/64	.1401	1/4	1/8	14.00	XP14014	12.43			
	.1451			14.00	XP14014OS	13.35			
	5/32			.1557	9/32	5/32	6.00	XP15606	4.56
				.1607			6.00	XP15606OS	5.25
.1557		10.00	XP15610	8.82					
.1607		10.00	XP15610OS	9.90					
5/32	.1557	9/32	5/32	14.00	XP15614	13.23			
	.1607			14.00	XP15614OS	14.15			

Prices subject to change without notice



Phone: 800-425-3171 world@choicemold.com

Fax: 800-425-3177

C1



M-2 STEEL 58-60 R/C

THRU HARDENED EJECTOR PINS

Pin Dia	Actual Size	Head Dia	Head Thick	Overall Length	Catalog Number	List Price
D	+0.0000 -0.0003	H	T	L		
11/64	.1713	11/32	3/16	6.00	XP17106	5.46
	.1763			6.00	XP17106OS	6.40
	.1713			10.00	XP17110	9.41
	.1763			10.00	XP17110OS	10.30
	.1713			14.00	XP17114	13.65
	.1763			14.00	XP17114OS	14.65
3/16	.1870	3/8	3/16	6.00	XP18706	5.46
	.1920			6.00	XP18706OS	6.70
	.1870			10.00	XP18710	10.01
	.1920			10.00	XP18710OS	11.01
	.1870			14.00	XP18714	13.94
	.1920			14.00	XP18714OS	15.16
13/64	.2026	3/8	3/16	6.00	XP20306	6.37
	.2076			6.00	XP20306OS	7.89
	.2026			10.00	XP20310	11.22
	.2076			10.00	XP20310OS	12.30
	.2026			14.00	XP20314	15.47
	.2076			14.00	XP20314OS	16.98
7/32	.2182	13/32	3/16	6.00	XP21806	5.76
	.2232			6.00	XP21806OS	7.28
	.2182			10.00	XP21810	10.62
	.2232			10.00	XP21810OS	11.83
	.2182			14.00	XP21814	16.37
	.2232			14.00	XP21814OS	18.20
15/64	.2338	13/32	3/16	6.00	XP23406	6.37
	.2388			6.00	XP23406OS	7.58
	.2338			10.00	XP23410	10.62
	.2388			10.00	XP23410OS	12.08
	.2338			14.00	XP23414	16.98
	.2388			14.00	XP23414OS	18.00
1/4	.2495	7/16	3/16	6.00	XP25006	6.98
	.2545			6.00	XP25006OS	8.19
	.2495			10.00	XP25010	11.22
	.2545			10.00	XP25010OS	12.74
	.2495			14.00	XP25014	17.59
	.2545			14.00	XP25014OS	19.40
17/64	.2651	7/16	1/4	6.00	XP26506	7.28
	.2651			10.00	XP26510	11.52
	.2701			10.00	XP26510OS	13.04
	.2651			14.00	XP26514	17.89
	.2701			14.00	XP26514OS	20.32

Pin Dia	Actual Size	Head Dia	Head Thick	Overall Length	Catalog Number	List Price
D	+0.0000 -0.0003	H	T	L		
9/32	.2807	7/16	1/4	6.00	XP28106	9.41
	.2857			6.00	XP28106OS	10.90
	.2807			10.00	XP28110	16.98
	.2857			10.00	XP28110OS	18.33
	.2807			14.00	XP28114	22.44
	.2857			14.00	XP28114OS	25.47
19/64	.2963	1/2	1/4	6.00	XP29606	10.31
	.2963			10.00	XP29610	16.68
	.3013			10.00	XP29610OS	18.20
	.2963			14.00	XP29614	23.35
	.3013			14.00	XP29614OS	26.68
	5/16			.3120	1/2	1/4
.3170		6.00	XP31206OS	12.13		
.3120		10.00	XP31210	16.98		
.3170		10.00	XP31210OS	18.80		
.3120		14.00	XP31214	24.86		
.3170		14.00	XP31214OS	27.90		
21/64	.3276	9/16	1/4	6.00	XP32806	11.22
	.3326			6.00	XP32806OS	12.43
	.3276			10.00	XP32810	17.28
	.3326			10.00	XP32810OS	19.11
	.3276			14.00	XP32814	26.68
	.3326			14.00	XP32814OS	30.32
11/32	.3432	9/16	1/4	6.00	XP34306	11.52
	.3482			6.00	XP34306OS	12.74
	.3432			10.00	XP34310	18.20
	.3482			10.00	XP34310OS	29.45
	.3432			14.00	XP34314	27.29
	.3482			14.00	XP34314OS	30.92
23/64	.3588	5/8	1/4	6.00	XP35906	12.13
	.3588			10.00	XP35910	18.80
	.3638			10.00	XP35910OS	20.62
	.3588			14.00	XP35914	27.90
	.3638			14.00	XP35914OS	31.53
	3/8			.3745	5/8	1/4
.3795		6.00	XP37506OS	14.26		
.3745		10.00	XP37510	22.84		
.3795		10.00	XP37510OS	25.15		
.3745		14.00	XP37514	29.11		
.3795		14.00	XP37514OS	32.14		
1/2	.4995	3/4	1/4	6.00	XP50006	26.46
	.4995			10.00	XP50010	44.10

Prices subject to change without notice



Phone: 800-425-3171

world@choicemold.com

Fax: 800-425-3177

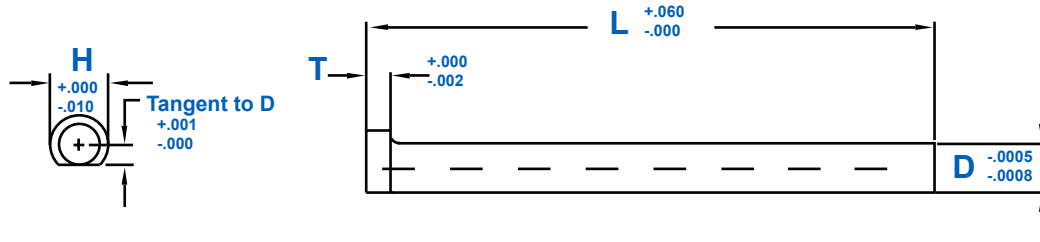
C2

- Tighter Tolerances
- Dowels not required
- Precision Fit - No Slop
- Fast replacement on repairs
- Diameters not shown available upon request
- Precision ground parallel to body for better fit
- Save time and money - Machining not required

Custom Flats

Flat ground to a specific distance from the center of the pin

Call our sales department for pricing information



Pin Dia	Actual Size	Head Dia	Head Thick	Overall Length	Catalog Number	List Price
D	+0.0000 -0.0003	H	T	L		
1/8	.1245	1/4	1/8	6.00	XPD12506	8.24
	.1295			6.00	XPD12506OS	9.10
	.1245			10.00	XPD12510	11.89
	.1295			10.00	XPD12510OS	12.80
	.1245			14.00	XPD12514	14.92
	.1295			14.00	XPD12514OS	16.74
9/64	.1401	1/4	1/8	6.00	XPD14006	8.56
	.1451			6.00	XPD14006OS	9.50
	.1401			10.00	XPD14010	12.19
	.1451			10.00	XPD14010OS	13.09
	.1401			14.00	XPD14014	16.43
	.1451			14.00	XPD14014OS	17.35
5/32	.1557	9/32	5/32	6.00	XPD15606	8.56
	.1607			6.00	XPD15606OS	9.25
	.1557			10.00	XPD15610	12.82
	.1607			10.00	XPD15610OS	13.90
	.1557			14.00	XPD15614	17.23
	.1607			14.00	XPD15614OS	18.15

Pin Dia	Actual Size	Head Dia	Head Thick	Overall Length	Catalog Number	List Price
D	+0.0000 -0.0003	H	T	L		
11/64	.1713	11/32	3/16	6.00	XPD17106	9.46
	.1763			6.00	XPD17106OS	10.40
	.1713			10.00	XPD17110	13.41
	.1763			10.00	XPD17110OS	14.30
	.1713			14.00	XPD17114	17.65
	.1763			14.00	XPD17114OS	18.65
3/16	.1870	3/8	3/16	6.00	XPD18706	9.46
	.1920			6.00	XPD18706OS	10.70
	.1870			10.00	XPD18710	14.01
	.1920			10.00	XPD18710OS	15.01
	.1870			14.00	XPD18714	17.94
	.1920			14.00	XPD18714OS	19.16
13/64	.2026	3/8	3/16	6.00	XPD20306	10.37
	.2076			6.00	XPD20306OS	11.89
	.2026			10.00	XPD20310	15.22
	.2076			10.00	XPD20310OS	16.30
	.2026			14.00	XPD20314	19.47
	.2076			14.00	XPD20314OS	20.98

Prices subject to change without notice



Pin Dia	Actual Size	Head Dia	Head Thick	Overall Length	Catalog Number	List Price
D	+ .0000 - .0003	H	T	L		
7/32	.2182	13/32	3/16	6.00	XPD21806	9.76
	.2232			6.00	XPD21806OS	11.28
	.2182			10.00	XPD21810	14.62
	.2232			10.00	XPD21810OS	15.83
	.2182			14.00	XPD21814	20.37
	.2232			14.00	XPD21814OS	22.20
15/64	.2338	13/32	3/16	6.00	XPD23406	10.37
	.2388			6.00	XPD23406OS	11.37
	.2338			10.00	XPD23410	14.62
	.2388			10.00	XPD23410OS	16.08
	.2338			14.00	XPD23414	20.98
	.2388			14.00	XPD23414OS	22.00
1/4	.2495	7/16	3/16	6.00	XPD25006	10.98
	.2545			6.00	XPD25006OS	12.19
	.2495			10.00	XPD25010	15.22
	.2545			10.00	XPD25010OS	16.74
	.2495			14.00	XPD25014	21.59
	.2545			14.00	XPD25014OS	23.40
17/64	.2651	7/16	1/4	6.00	XPD26506	11.28
	.2651			10.00	XPD26510	15.52
	.2701			10.00	XPD26510OS	17.04
	.2651			14.00	XPD26514	21.89
	.2701			14.00	XPD26514OS	24.32
9/32	.2807	7/16	1/4	6.00	XPD28106	13.41
	.2857			6.00	XPD28106OS	14.90
	.2807			10.00	XPD28110	20.98
	.2857			10.00	XPD28110OS	22.33
	.2807			14.00	XPD28114	26.44
	.2857			14.00	XPD28114OS	29.47

Pin Dia	Actual Size	Head Dia	Head Thick	Overall Length	Catalog Number	List Price
D	+ .0000 - .0003	H	T	L		
19/64	.2963	1/2	1/4	6.00	XPD29606	14.31
	.2963			10.00	XPD29610	20.68
	.3013			10.00	XPD29610OS	22.20
	.2963			14.00	XPD29614	27.35
	.3013			14.00	XPD29614OS	30.68
5/16	.3120	1/2	1/4	6.00	XPD31206	14.92
	.3170			6.00	XPD31206OS	16.13
	.3120			10.00	XPD31210	20.98
	.3170			10.00	XPD31210OS	22.80
	.3120			14.00	XPD31214	28.86
	.3170			14.00	XPD31214OS	31.90
21/64	.3276	9/16	1/4	6.00	XPD32806	15.22
	.3326			6.00	XPD32806OS	16.43
	.3276			10.00	XPD32810	21.28
	.3326			10.00	XPD32810OS	23.11
	.3276			14.00	XPD32814	30.68
	.3326			14.00	XPD32814OS	34.32
11/32	.3432	9/16	1/4	6.00	XPD34306	15.52
	.3482			6.00	XPD34306OS	16.74
	.3432			10.00	XPD34310	22.20
	.3482			10.00	XPD34310OS	33.45
	.3432			14.00	XPD34314	31.29
	.3482			14.00	XPD34314OS	34.92
23/64	.3588	5/8	1/4	6.00	XPD35906	16.13
	.3588			10.00	XPD35910	22.10
	.3638			10.00	XPD35910OS	24.62
	.3588			14.00	XPD35914	31.90
	.3638			14.00	XPD35914OS	35.53
3/8	.3745	5/8	1/4	6.00	XPD37506	16.43
	.3795			6.00	XPD37506OS	18.26
	.3745			10.00	XPD37510	26.84
	.3795			10.00	XPD37510OS	29.15
	.3745			14.00	XPD37514	33.11
	.3795			14.00	XPD37514OS	36.14

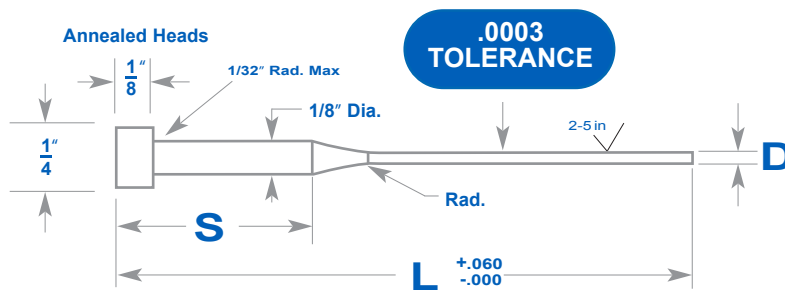
Prices subject to change without notice



XT M-2 STEEL 58-60 R/C THRU HARDENED STEP EJECTOR PINS

Advantages of Choice Thru-Hardened Ejector Pin

- M-2 Steel stays hard to 60 RC in applications up to 1200 Degree F
- Eliminate annealing in applications above 300 Degrees F as found in other thru-hardened pins
- Eliminate wear and galling due to carbon-bonding
- Special material properties create 100% better surface finishes than comparable pins when ground
- Eliminate extra polishing after grinding special form work
- 2 to 5 micro-inch finish is standard - eliminating galling, reducing wear on pins & mold cavities and eliminating chipping
- Tolerance of .0003" on the diameter is equivalent to gage pin tolerances
- Heads are annealed for easy keying and special machining
- All of Choice thru-hardened pins are marked with part number
- Pins can be coated with any coating available
- Special size pins can be easily ground to your specifications



OS = Oversize .005 on (D) Pin Diameter

Pin Dia	Actual Size	Step Length	OAL	Catalog Number	List Price
D	+ .0000 - .0003	S			
1/32	.0307	1/2" Shoulder	6.00	XT0310506	10.62
	.0357		6.00	XT0310506OS	11.62
	.0307		8.00	XT0310508	11.04
	.0307		10.00	XT0310510	11.52
	.0357	10.00	XT0310510OS	12.52	
	.0307	2" Shoulder	6.00	XT0312006	9.70
	.0357		6.00	XT0312006OS	10.92
	.0307		8.00	XT0312008	10.92
	.0307		10.00	XT0312010	11.55
	.0357	10.00	XT0312010OS	13.02	
	.0307	3" Shoulder	8.00	XT0313008	10.31
	.0357		8.00	XT0313008OS	11.31
	.0307	4" Shoulder	8.00	XT0314008	9.09
	.0357		8.00	XT0314008OS	10.09

Pin Dia	Actual Size	Step Length	OAL	Catalog Number	List Price
D	+ .0000 - .0003	S			
3/64	.0463	1/2" Shoulder	6.00	XT0460506	7.28
	.0513		6.00	XT0460506OS	8.28
	.0463		8.00	XT0460508	10.50
	.0463		10.00	XT0460510	11.22
	.0513	10.00	XT0460510OS	12.74	
	.0463	2" Shoulder	6.00	XT0462006	6.62
	.0513		6.00	XT0462006OS	8.49
	.0463		8.00	XT0462008	8.49
	.0463		10.00	XT0462010	9.70
	.0513	10.00	XT0462010OS	10.70	
	.0463	3" Shoulder	8.00	XT0463008	10.70
	.0513		8.00	XT0463008OS	11.70
	.0463	4" Shoulder	8.00	XT0464008	7.58
	.0513		8.00	XT0464008OS	8.58
	.0463		10.00	XT0464010	8.49
	.0513		10.00	XT0464010OS	9.54

Prices subject to change without notice



M-2 STEEL 58-60 R/C

THRU HARDENED STEP EJECTOR PINS

Pin Dia	Actual Size	Step Length	OAL	Catalog Number	List Price
D	+0.000 -0.003	S			
1/16	.0620	1/2" Shoulder	6.00	XT0620506	6.07
	.0670		6.00	XT0620506OS	7.28
	.0620		8.00	XT0620508	10.62
	.0620		10.00	XT0620510	11.52
	.0670		10.00	XT0620510OS	12.52
	.0620	2" Shoulder	6.00	XT0622006	5.76
	.0670		6.00	XT0622006OS	7.28
	.0620		8.00	XT0622008	7.64
	.0620		10.00	XT0622010	8.49
	.0670		10.00	XT0622010OS	9.49
	.0620	3" Shoulder	8.00	XT0623008	7.64
	.0670		8.00	XT0623008OS	8.64
	.0620	4" Shoulder	8.00	XT0624008	6.98
	.0670		8.00	XT0624008OS	8.49
	.0620		10.00	XT0624010	8.49
	.0670		10.00	XT0624010OS	9.54
5/64	.0776	1/2" Shoulder	6.00	XT0780506	6.07
	.0826		6.00	XT0780506OS	7.07
	.0776		8.00	XT0780508	10.62
	.0776		10.00	XT0780510	11.52
	.0826		10.00	XT0780510OS	12.52
	.0776	2" Shoulder	6.00	XT0782006	5.46
	.0826		6.00	XT0782006OS	7.28
	.0776		8.00	XT0782008	7.58
	.0776		10.00	XT0782010	8.49
	.0826		10.00	XT0782010OS	9.49
	.0776	3" Shoulder	8.00	XT0783008	7.58
	.0826		8.00	XT0783008OS	8.58
	.0776	4" Shoulder	8.00	XT0784008	7.28
	.0826		8.00	XT0784008OS	8.28
	.0776		10.00	XT0784010	7.89
	.0826		10.00	XT0784010OS	8.94

Pin Dia	Actual Size	Step Length	OAL	Catalog Number	List Price
D	+0.000 -0.003	S			
3/32	.0932	1/2" Shoulder	6.00	XT0930506	5.46
	.0982		6.00	XT0930506OS	7.28
	.0932		8.00	XT0930508	8.80
	.0932		10.00	XT0930510	10.92
	.0982		10.00	XT0930510OS	11.92
	.0932	2" Shoulder	6.00	XT0932006	5.16
	.0982		6.00	XT0932006OS	7.28
	.0932		8.00	XT0932008	6.86
	.0932		10.00	XP0932010	7.28
	.0982		10.00	XT0932010OS	8.28
	.0932	3" Shoulder	8.00	XT0933008	6.79
	.0982		8.00	XT0933008OS	7.79
	.0932	4" Shoulder	8.00	XT0934008	6.37
	.0982		8.00	XT0934008OS	7.37
	.0932		10.00	XT0934010	7.28
	.0982		10.00	XT0934010OS	8.28
7/64	.1088	1/2" Shoulder	6.00	XT1090506	5.46
	.1138		6.00	XT1090506OS	7.28
	.1088		8.00	XT1090508	8.80
	.1088		10.00	XT1090510	10.92
	.1138		10.00	XT1090510OS	12.87
	.1088	2" Shoulder	6.00	XT1092006	5.16
	.1138		6.00	XT1092006OS	7.28
	.1088		8.00	XT1092008	6.62
	.1088		10.00	XT1092010	7.28
	.1138		10.00	XT1092010OS	8.28
	.1088	3" Shoulder	8.00	XT1093008	6.67
	.1138		8.00	XT1093008OS	7.67
	.1088	4" Shoulder	8.00	XT1094008	6.43
	.1138		8.00	XT1094008OS	7.43
	.1088		10.00	XT1094010	7.89
	.1138		10.00	XT1094010OS	8.89

Prices subject to change without notice

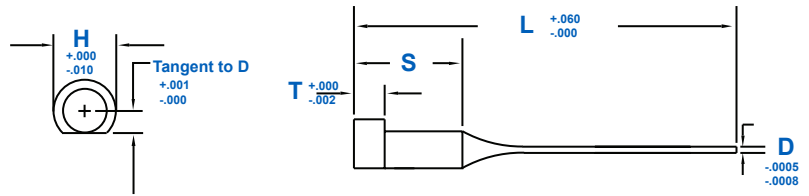


Phone: 800-425-3171

world@choicemold.com

Fax: 800-425-3177 C6

- Tighter Tolerances
- Dowels not required
- Precision Fit - No Slop
- Fast replacement on repairs
- Diameters not shown available upon request
- Precision ground parallel to body for better fit
- Save time and money - Machining not required



Custom Flats

Flat ground to a specific distance from the center of the pin
Call our sales department for pricing information

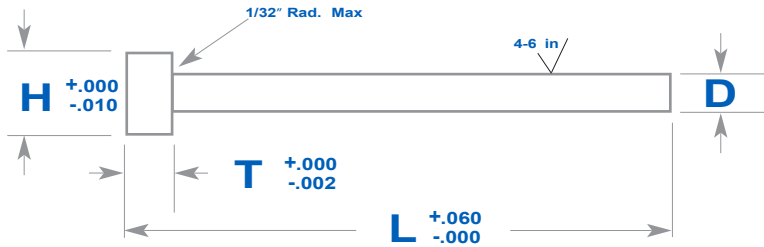
Pin Dia	Actual Size	Step Length	OAL	Catalog Number	List Price
D	+0.000 -0.003	S			
1/32	.0307	2" Shoulder	6.00	XTD0312006	12.70
	.0357		6.00	XTD0312006OS	13.92
	.0307		8.00	XTD0312008	13.92
	.0307		10.00	XTD0312010	14.55
	.0357		10.00	XTD0312010OS	16.02
	.0307	3" Shoulder	8.00	XTD0313008	13.31
	.0357		8.00	XTD0313008OS	14.31
	.0307	4" Shoulder	8.00	XTD0314008	12.09
	.0357		8.00	XTD0314008OS	13.09
	3/64	.0463	2" Shoulder	6.00	XTD0462006
.0513		6.00		XTD0462006OS	11.49
.0463		8.00		XTD0462008	11.49
.0463		10.00		XTD0462010	12.70
.0513		10.00		XTD0462010OS	13.70
.0463		3" Shoulder	8.00	XTD0463008	13.70
.0513			8.00	XTD0463008OS	14.70
.0463		4" Shoulder	8.00	XTD0464008	10.58
.0513			8.00	XTD0464008OS	11.58
.0463			10.00	XTD0464010	11.49
.0513			10.00	XTD0464010OS	12.54
.0620			2" Shoulder	6.00	XTD0622006
.0670	6.00	XTD0622006OS		10.28	
.0620	8.00	XTD0622008		10.64	
.0620	10.00	XTD0622010		11.49	
.0670	10.00	XTD0622010OS		12.49	
.0620	3" Shoulder	8.00		XTD0623008	10.64
.0670		8.00		XTD0623008OS	11.64
.0620	4" Shoulder	8.00		XTD0624008	9.98
.0670		8.00		XTD0624008OS	11.49
.0620		10.00		XTD0624010	11.49
.0670		10.00		XTD0624010OS	12.54

Pin Dia	Actual Size	Step Length	OAL	Catalog Number	List Price
D	+0.000 -0.003	S			
5/64	.0776	2" Shoulder	6.00	XTD0782006	8.46
	.0826		6.00	XTD0782006OS	10.28
	.0776		8.00	XTD0782008	10.58
	.0776		10.00	XTD0782010	11.49
	.0826		10.00	XTD0782010OS	12.49
	.0776	3" Shoulder	8.00	XTD0783008	10.58
	.0826		8.00	XTD0783008OS	11.58
	.0776	4" Shoulder	8.00	XTD0784008	10.28
	.0826		8.00	XTD0784008OS	11.28
	.0776		10.00	XTD0784010	10.58
.0826	10.00		XTD0784010OS	11.94	
3/32	.0932	2" Shoulder	6.00	XTD0932006	8.16
	.0982		6.00	XTD0932006OS	10.28
	.0932		8.00	XTD0932008	9.86
	.0932		10.00	XP0932010	10.28
	.0982		10.00	XTD0932010OS	11.28
	.0932	3" Shoulder	8.00	XTD0933008	9.62
	.0982		8.00	XTD0933008OS	10.79
	.0932	4" Shoulder	8.00	XTD0934008	9.37
	.0982		8.00	XTD0934008OS	10.37
	.0932		10.00	XTD0934010	10.28
	.0982		10.00	XTD0934010OS	11.28
	.1088		2" Shoulder	6.00	XTD1092006
.1138	6.00	XTD1092006OS		10.28	
.1088	8.00	XTD1092008		9.62	
.1088	10.00	XTD1092010		10.28	
.1138	10.00	XTD1092010OS		11.28	
.1088	3" Shoulder	8.00		XTD1093008	9.67
.1138		8.00		XTD1093008OS	10.67
.1088	4" Shoulder	8.00		XTD1094008	9.43
.1138		8.00		XTD1094008OS	10.43
.1088		10.00		XTD1094010	10.89
.1138		10.00		XTD1094010OS	11.89

Prices subject to change without notice



- Annealed Heads
- H-13 Steel 40-45 R/C core for toughness
- Nitrided surface for smooth non-galling operation
- Reduce fitting time with a precision tolerance diameter



OS = Oversize .005 on (D) Pin Diameter

Pin Dia	Actual Size	Head Dia	Head Thick	OAL	Catalog Number	List Price
D	+ .0000 - .0004	H	T	L		
3/64	.0464	1/4	1/8	6.00	EP04606	4.99
1/16	.0621	1/4	1/8	6.00	EP06206	4.73
	.0621			10.00	EP06210	5.57
5/64	.0777	1/4	1/8	6.00	EP07806	4.73
	.0777			10.00	EP07810	5.67
3/32	.0933	1/4	1/8	6.00	EP09306	4.20
	.0933			10.00	EP09310	4.73
	.0983			10.00	EP09310OS	5.51
7/64	.1089	1/4	1/8	6.00	EP10906	3.78
	.1089			10.00	EP10910	4.20
1/8	.1246	1/4	1/8	6.00	EP12506	2.36
	.1246			10.00	EP12510	2.63
	.1296			10.00	EP12510OS	3.15
	.1246			14.00	EP12514	3.05
	.1296			14.00	EP12514OS	3.57
	.1246			18.00	EP12518	8.40
	.1246			25.00	EP12525	14.70
9/64	.1402	1/4	1/8	6.00	EP14006	2.42
	.1402			10.00	EP14010	2.84
	.1402			14.00	EP14014	3.47
	.1452			14.00	EP14014OS	4.99
5/32	.1558	9/32	5/32	6.00	EP15606	2.52
	.1558			10.00	EP15610	2.73
	.1608			10.00	EP15610OS	3.47
	.1558			14.00	EP15614	3.36
	.1608			14.00	EP15614OS	4.20
	.1558			18.00	EP15618	4.62
	.1558			25.00	EP15625	13.91

Pin Dia	Actual Size	Head Dia	Head Thick	OAL	Catalog Number	List Price
D	+ .0000 - .0004	H	T	L		
11/64	.1714	11/32	3/16	6.00	EP17106	2.57
	.1714			10.00	EP17110	2.94
	.1714			14.00	EP17114	3.68
	.1764			14.00	EP17114OS	4.83
	.1714			18.00	EP17118	9.98
3/16	.1871	3/8	3/16	6.00	EP18706	2.52
	.1871			10.00	EP18710	2.99
	.1921			10.00	EP18710OS	3.57
	.1871			14.00	EP18714	3.68
	.1921			14.00	EP18714OS	4.20
	.1871			18.00	EP18718	4.73
13/64	.1871	3/8	3/16	25.00	EP18725	7.77
	.2027			6.00	EP20306	2.89
	.2027			10.00	EP20310	3.26
	.2027			14.00	EP20314	3.89
	.2077			14.00	EP20314OS	8.14
	.2027			18.00	EP20318	11.18
	.2027			25.00	EP20325	15.23
7/32	.2183	13/32	3/16	6.00	EP21806	2.73
	.2183			10.00	EP21810	3.26
	.2233			10.00	EP21810OS	3.89
	.2183			14.00	EP21814	3.99
	.2233			14.00	EP21814OS	4.62
	.2183			18.00	EP21818	6.83
15/64	.2183	13/32	3/16	25.00	EP21825	7.14
	.2339			6.00	EP23406	3.41
	.2339			10.00	EP23410	3.57
	.2339			14.00	EP23414	4.41
	.2339			18.00	EP23418	7.35
	.2339			25.00	EP23425	10.50

Prices subject to change without notice





Pin Dia	Actual Size	Head Dia	Head Thick	OAL	Catalog Number	List Price	Pin Dia	Actual Size	Head Dia	Head Thick	OAL	Catalog Number	List Price	Pin Dia	Actual Size	Head Dia	Head Thick	OAL	Catalog Number	List Price			
D	+ .0000 - .0004	H	T	L			D	+ .0000 - .0004	H	T	L			D	+ .0000 - .0004	H	T	L					
1/4	.2496	7/16	3/16	6.00	EP25006	2.94	11/32	.3433	9/16	1/4	6.00	EP34306	4.04	1/2	.4996	3/4	1/4	6.00	EP50006	6.20			
	.2496			10.00	EP25010	3.68		.3433			10.00	EP34310	5.20		.4996			10.00	EP50010	8.40			
	.2546			10.00	EP25010OS	4.20		.3483			10.00	EP34310OS	5.67		.5046			10.00	EP50010OS	8.82			
	.2496			14.00	EP25014	4.41		.3433			14.00	EP34314	6.56		.4996			14.00	EP50014	10.87			
	.2546			14.00	EP25014OS	4.94		.3483			14.00	EP34314OS	7.09		.5046			14.00	EP50014OS	11.55			
	.2496			18.00	EP25018	5.67		.3433			18.00	EP34318	11.55		.4996			18.00	EP50018	14.18			
	.2496			25.00	EP25025	7.88		.3433			25.00	EP34325	14.18		.4996			25.00	EP50025	21.11			
17/64	.2652	7/16	1/4	6.00	EP26506	3.68	23/64	.3589	5/8	1/4	6.00	EP35906	4.99	9/16	.5621	13/16	1/4	6.00	EP56206	7.35			
	.2652			10.00	EP26510	4.10		.3589			10.00	EP35910	5.67		.5621			10.00	EP56210	10.13			
	.2652			14.00	EP26514	4.83		.3589			14.00	EP35914	7.04		.5621			14.00	EP56214	13.07			
	.2702			14.00	EP26514OS	6.04		.3639			14.00	EP35914OS	7.88		.5621			18.00	EP56218	16.75			
	.2652			18.00	EP26518	8.40		.3589			18.00	EP35918	13.65		.5621			25.00	EP56225	24.10			
	.2652			25.00	EP26525	13.91		.3589			25.00	EP35925	23.10										
9/32	.2808	7/16	1/4	6.00	EP28106	3.26	3/8	.3746	5/8	1/4	6.00	EP37506	4.31	5/8	.6246	7/8	1/4	6.00	EP62506	8.56			
	.2808			10.00	EP28110	4.15		.3746			10.00	EP37510	5.78		.6246			10.00	EP62510	11.87			
	.2858			10.00	EP28110OS	4.57		.3796			10.00	EP37510OS	6.30		.6246			18.00	EP62518	19.37			
	.2808			14.00	EP28114	4.99		.3746			14.00	EP37514	7.09		.6246			25.00	EP62525	27.25			
	.2858			14.00	EP28114OS	5.62		.3796			14.00	EP37514OS	7.56										
	.2808			18.00	EP28118	6.41		.3746			18.00	EP37518	9.24		11/16			.6871	15/16	1/4	6.00	EP68706	10.76
	.2808			25.00	EP28125	8.82		.3746			25.00	EP37525	12.97					.6871			10.00	EP68710	14.02
19/64	.2964	1/2	1/4	6.00	EP29606	4.20	13/32	.4058	11/16	1/4	6.00	EP40606	4.78	3/4	.6871	1	1/4	14.00	EP68714	21.00			
	.2964			10.00	EP29610	4.52		.4058			10.00	EP40610	6.41		.6871			18.00	EP68718	22.63			
	.2964			14.00	EP29614	5.57		.4108			10.00	EP40610OS	6.77		.7496			25.00	EP68725	32.03			
	.2964			18.00	EP29618	9.98		.4058			14.00	EP40614	8.19		.7496			6.00	EP75006	11.97			
	.2964			25.00	EP29625	12.08		.4108			14.00	EP40614OS	8.82		.7496			10.00	EP75010	16.12			
5/16	.3121	1/2	1/4	6.00	EP31206	3.57	7/16	.4058	11/16	1/4	6.00	EP40618	10.61	7/8	.7496	1-1/8	1/4	14.00	EP75014	20.84			
	.3121			10.00	EP31210	4.57		.4058			10.00	EP40625	15.17		.7496			18.00	EP75018	26.51			
	.3171			10.00	EP31210OS	4.99		.4371			6.00	EP43706	5.20		.7496			25.00	EP75025	36.23			
	.3121			14.00	EP31214	5.62		.4371			10.00	EP43710	7.04		.8746			6.00	EP87506	21.00			
	.3171			14.00	EP31214OS	6.14		.4421			10.00	EP43710OS	7.35		.8746			10.00	EP87510	22.31			
	.3121			18.00	EP31218	7.09		.4371			10.00	EP43714OS	9.87		.8746			14.00	EP87514	26.25			
	.3125			25.00	EP31225	9.66		.4421			14.00	EP43714OS	9.87		.8746			18.00	EP87518	28.30			
21/64	.3277	9/16	1/4	6.00	EP32806	4.20	15/32	.4371	3/4	1/4	18.00	EP43718	11.76	1	.9996	1-1/4	1/4	25.00	EP87525	46.67			
	.3277			10.00	EP32810	4.99		.4371			18.00	EP43725	16.91		.9996			6.00	EP99906	19.27			
	.3277			14.00	EP32814	6.30		.4683			6.00	EP46806	6.09		.9996			10.00	EP99910	26.78			
	.3327			14.00	EP32814OS	7.82		.4683			10.00	EP46810	7.77		.9996			14.00	EP99914	33.86			
	.3277			18.00	EP32818	10.50		.4733			10.00	EP46810OS	8.14		.9996			18.00	EP99918	41.42			
	.3277			25.00	EP32825	13.13		.4733			14.00	EP46814	11.55					25.00	EP99925	54.34			
								.4683			14.00	EP46814OS	11.81										
				.4683	18.00	EP46818	13.07																
				.4683	25.00	EP46825	19.06																

Prices subject to change without notice

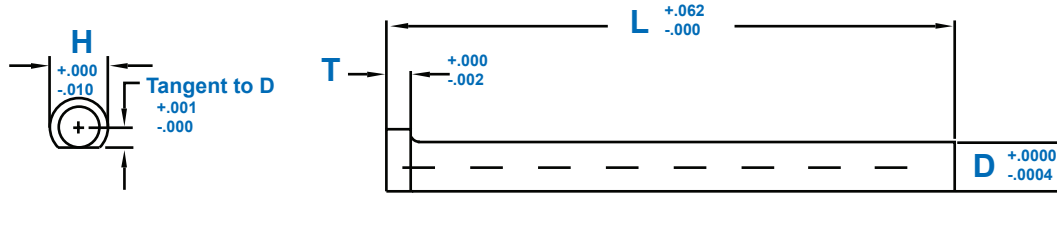


- Tighter Tolerances
- Dowels not required
- Precision Fit - No Slop
- Fast replacement on repairs
- Diameters not shown available upon request
- Precision ground parallel to body for better fit
- Save time and money - Machining not required

Custom Flats

Flat ground to a specific distance from the center of the pin

Call our sales department for pricing information



Pin Dia	Actual Size	Head Dia	Head Thick	Catalog Number	Price
D	+0.0000 -0.0004	H	T		
3/64	.0464	1/4	1/8	EPD04606	\$7.99
1/16	.0621	1/4	1/8	EPD06206	\$7.73
	.0621			EPD06210	\$8.57
5/64	.0777	1/4	1/8	EPD07806	\$7.73
	.0777			EPD07810	\$8.67
3/32	.0933	1/4	1/8	EPD09306	\$7.20
	.0933			EPD09310	\$7.73
	.0983			EPD09310OS	\$8.51
7/64	.1089	1/4	1/8	EPD10906	\$6.78
	.1089			EPD10910	\$7.20
1/8	.1246	1/4	1/8	EPD12506	\$5.51
	.1246			EPD12510	\$5.78
	.1296			EPD12510OS	\$6.15
	.1246			EPD12514	\$6.20
	.1296			EPD12514OS	\$6.57
	.1246			EPD12518	\$11.55
	.1246			EPD12525	\$17.85
9/64	.1402	1/4	1/8	EPD14006	\$5.57
	.1402			EPD14010	\$5.99
	.1402			EPD14014	\$6.62
	.1452			EPD14014OS	\$7.99
5/32	.1558	9/32	5/32	EPD15606	\$5.67
	.1558			EPD15610	\$5.88
	.1608			EPD15610OS	\$6.47
	.1558			EPD15614	\$6.51
	.1608			EPD15614OS	\$7.20
	.1558			EPD15618	\$7.77
	.1558			EPD15625	\$17.06

Pin Dia	Actual Size	Head Dia	Head Thick	Catalog Number	Price
D	+0.0000 -0.0004	H	T		
11/64	.1714	11/32	3/16	EPD17106	\$6.25
	.1714			EPD17110	\$6.62
	.1714			EPD17114	\$7.35
	.1754			EPD17114OS	\$7.83
	.1714			EPD17118	\$13.65
3/16	.1871	3/8	3/16	EPD18706	\$6.20
	.1871			EPD18710	\$6.67
	.1921			EPD18710OS	\$6.57
	.1871			EPD18714	\$7.35
	.1921			EPD18714OS	\$7.20
	.1871			EPD18718	\$8.40
13/64	.1871	3/8	3/16	EPD18725	\$11.45
	.2027			EPD20306	\$6.56
	.2027			EPD20310	\$6.93
	.2027			EPD20314	\$7.58
	.2077			EPD20314OS	\$11.14
	.2027			EPD20318	\$14.86
	.2027			EPD20325	\$18.90
7/32	.2183	13/32	3/16	EPD21806	\$6.41
	.2183			EPD21810	\$6.93
	.2233			EPD21810OS	\$6.89
	.2183			EPD21814	\$7.67
	.2233			EPD21814OS	\$7.62
	.2183			EPD21818	\$10.50
	.2183			EPD21825	\$10.82
15/64	.2339	13/32	3/16	EPD23406	\$7.09
	.2339			EPD23410	\$7.25
	.2339			EPD23414	\$8.09
	.2339			EPD23418	\$11.03
	.2339			EPD23425	\$14.18

Prices subject to change without notice



Pin Dia	Actual Size	Head Dia	Head Thick	Catalog Number	Price
D	+ .0000 - .0004	H	T		
1/4	.2496	7/16	3/16	EPD25006	\$6.62
	.2496			EPD25010	\$7.35
	.2546			EPD25010OS	\$7.20
	.2496			EPD25014	\$8.09
	.2546			EPD25014OS	\$7.94
	.2496			EPD25018	\$9.35
	.2496			EPD25025	\$11.55
17/64	.2652	7/16	1/4	EPD26506	\$7.35
	.2652			EPD26510	\$7.77
	.2652			EPD26514	\$8.51
	.2702			EPD26514OS	\$9.04
	.2652			EPD26518	\$12.08
	.2652			EPD26525	\$17.59
9/32	.2808	7/16	1/4	EPD28106	\$6.93
	.2808			EPD28110	\$7.82
	.2858			EPD28110OS	\$7.57
	.2808			EPD28114	\$8.66
	.2858			EPD28114OS	\$8.62
	.2808			EPD28118	\$10.08
	.2808			EPD28125	\$12.50
19/64	.2964	1/2	1/4	EPD29606	\$7.88
	.2964			EPD29610	\$8.19
	.2964			EPD29614	\$9.24
	.2964			EPD29618	\$13.65
	.2964			EPD29625	\$15.75
5/16	.3121	1/2	1/4	EPD31206	\$7.25
	.3121			EPD31210	\$8.24
	.3171			EPD31210OS	\$7.99
	.3121			EPD31214	\$9.29
	.3171			EPD31214OS	\$9.14
	.3121			EPD31218	\$10.76
	.3121			EPD31225	\$13.34
21/64	.3277	9/16	1/4	EPD32806	\$8.40
	.3277			EPD32810	\$9.19
	.3277			EPD32814	\$10.50
	.3327			EPD32814OS	\$10.82
	.3277			EPD32818	\$14.70
	.3277			EPD32825	\$17.33

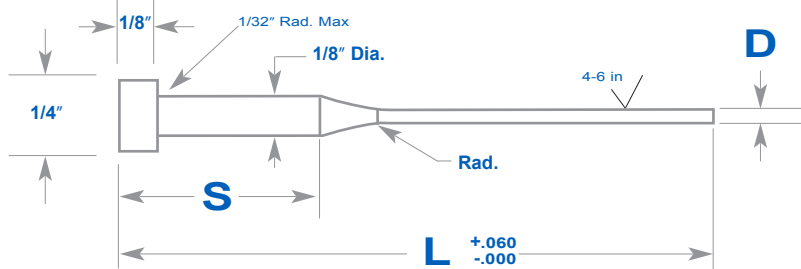
Pin Dia	Actual Size	Head Dia	Head Thick	Catalog Number	Price
D	+ .0000 - .0004	H	T		
11/32	.3433	9/16	1/4	EPD34306	\$8.24
	.3433			EPD34310	\$9.40
	.3483			EPD34310OS	\$8.67
	.3433			EPD34314	\$10.76
	.3483			EPD34314OS	\$10.09
	.3433			EPD34318	\$15.75
	.3433			EPD34325	\$18.38
23/64	.3589	5/8	1/4	EPD35906	\$9.19
	.3589			EPD35910	\$9.87
	.3589			EPD35914	\$11.24
	.3639			EPD35914OS	\$10.88
	.3589			EPD35918	\$17.85
	.3589			EPD35925	\$27.30
3/8	.3746	5/8	1/4	EPD37506	\$8.51
	.3746			EPD37510	\$9.98
	.3796			EPD37510OS	\$9.30
	.3746			EPD37514	\$11.29
	.3796			EPD37514OS	\$10.56
	.3746			EPD37518	\$13.44
	.3746			EPD37525	\$17.17
13/32	.4058	11/16	1/4	EPD40606	\$8.98
	.4058			EPD40610	\$10.61
	.4108			EPD40610OS	\$9.77
	.4058			EPD40614	\$12.39
	.4108			EPD40614OS	\$11.82
	.4058			EPD40618	\$14.81
	.4058			EPD40625	\$19.37
7/16	.4371	11/16	1/4	EPD43706	\$9.40
	.4371			EPD43710	\$11.24
	.4421			EPD43710OS	\$10.35
	.4371			EPD43714	\$13.23
	.4421			EPD43714OS	\$12.87
	.4371			EPD43718	\$15.96
	.4371			EPD43725	\$21.11
15/32	.4683	3/4	1/4	EPD46806	\$10.29
	.4683			EPD46810	\$11.97
	.4733			EPD46810OS	\$11.14
	.4683			EPD46814	\$15.75
	.4733			EPD46814OS	\$14.81
	.4683			EPD46818	\$17.27
	.4683			EPD46825	\$23.26

Pin Dia	Actual Size	Head Dia	Head Thick	Catalog Number	Price
D	+ .0000 - .0004	H	T		
1/2	.4996	3/4	1/4	EPD50006	\$10.40
	.4996			EPD50010	\$12.60
	.5046			EPD50010OS	\$11.82
	.4996			EPD50014	\$15.07
	.5046			EPD50014OS	\$14.55
	.4996			EPD50018	\$18.38
	.4996			EPD50025	\$25.31
9/16	.5621	13/16	1/4	EPD56206	\$12.08
	.5621			EPD56210	\$14.86
	.5621			EPD56214	\$17.80
	.5621			EPD56218	\$21.47
	.5621			EPD56225	\$28.82
5/8	.6246	7/8	1/4	EPD62506	\$13.28
	.6246			EPD62510	\$16.59
	.6246			EPD62514	\$19.95
	.6246			EPD62518	\$24.10
	.6246			EPD62525	\$31.97
11/16	.6871	15/16	1/4	EPD68706	\$15.49
	.6871			EPD68710	\$18.74
	.6871			EPD68714	\$25.73
	.6871			EPD68718	\$27.35
	.6871			EPD68725	\$36.75
3/4	.7496	1	1/4	EPD75006	\$16.70
	.7496			EPD75010	\$20.84
	.7496			EPD75014	\$25.57
	.7496			EPD75018	\$31.24
	.7496			EPD75025	\$40.95
7/8	.8746	1-1/8	1/4	EPD87506	\$25.73
	.8746			EPD87510	\$27.04
	.8746			EPD87514	\$30.98
	.8746			EPD87518	\$33.02
	.8746			EPD87525	\$51.40
1	.9996	1-1/4	1/4	EPD99906	\$23.99
	.9996			EPD99910	\$31.50
	.9996			EPD99914	\$38.59
	.9996			EPD99918	\$46.15
	.9996			EPD99925	\$59.06

Prices subject to change without notice



- Annealed Heads
- H-13 Steel 40-45 R/C core for toughness
- Nitrided surface for smooth non-galling operation
- Reduce fitting time with a precision tolerance diameter



OS = Oversize .005 on (D) Pin Diameter

Pin Dia	Actual Size	Step Length	OAL	Catalog Number	List Price
D	+ .0000 - .0004	S	L		
3/64	.0464	1/2" Shoulder	6.00	ST0460506	5.09
			10.00	ST0460510	5.67
			10.00	ST0460510OS	6.20
			14.00	ST0460514	7.25
	.0464	2" Shoulder	6.00	ST0462006	4.78
			10.00	ST0462010	5.72
			10.00	ST0462010OS	6.46
			14.00	ST0462014	7.04
1/16	.0621	1/2" Shoulder	6.00	ST0620506	4.67
			10.00	ST0620510	5.83
			10.00	ST0620510OS	6.67
			14.00	ST0620514	6.83
	.0621	2" Shoulder	6.00	ST0622006	4.57
			10.00	ST0622010	5.36
			10.00	ST0622010OS	6.46
			14.00	ST0622014	7.35
.0671					

Prices subject to change without notice

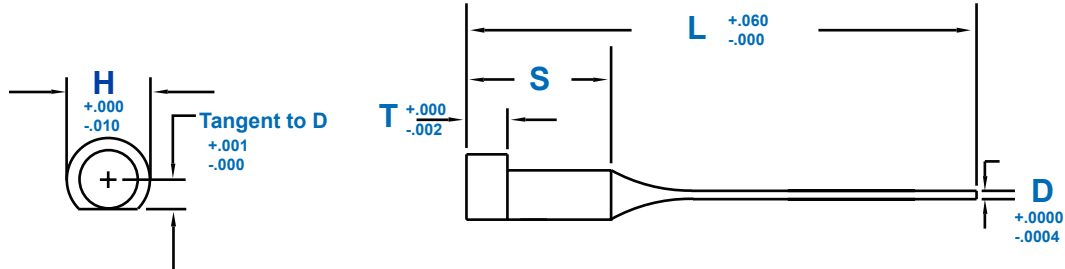
Pin Dia	Actual Size	Step Length	OAL	Catalog Number	List Price
D	+ .0000 - .0004	S	L		
5/64	.0777	1/2" Shoulder	6.00	ST0780506	4.67
			10.00	ST0780510	5.83
			10.00	ST0780510OS	6.77
			14.00	ST0780514	6.83
	.0777	2" Shoulder	6.00	ST0782006	4.57
			10.00	ST0782010	5.36
			10.00	ST0782010OS	6.04
			14.00	ST0782014	7.35
3/32	.0933	1/2" Shoulder	6.00	ST0930506	4.25
			10.00	ST0930510	5.41
			10.00	ST0930510OS	6.04
			14.00	ST0930514	6.51
	.0933	2" Shoulder	6.00	ST0932006	4.04
			10.00	ST0932010	5.15
			10.00	ST0932010OS	5.83
			14.00	ST0932014	6.88
7/64	.1089	1/2" Shoulder	6.00	ST1090506	4.25
			10.00	ST1090510	5.41
			14.00	ST1090514	6.51
	.1089	2" Shoulder	6.00	ST1092006	4.10
			10.00	ST1092010	4.78
			14.00	ST1092014	6.88

- Tighter Tolerances
- Dowels not required
- Precision Fit - No Slop
- Fast replacement on repairs
- Diameters not shown available upon request
- Precision ground parallel to body for better fit
- Save time and money - Machining not required

Custom Flats

Flat ground to a specific distance from the center of the pin

Call our sales department for pricing information



Step Length	Pin Dia	Actual Size	Head Dia	Head Thick	Catalog Number	Price
S	D	+0000 -.0004	H	T		
2" Shoulder	3/64	.0464	1/4	1/8	STD0462006	\$7.93
		.0464			STD0462010	\$8.87
		.0514			STD0462010OS	\$9.46
		.0464			STD0462014	\$7.04
	1/16	.0621	1/4	1/8	STD0622006	\$7.72
		.0621			STD0622010	\$8.51
		.0671			STD062010OS	\$9.46
		.0621			STD0622014	\$10.50
	5/64	.0777	1/4	1/8	STD0782006	\$7.72
		.0777			STD0782010	\$8.51
		.0827			STD0782010OS	\$9.04
		.0777			STD078014	\$10.50
	3/32	.0933	1/4	1/8	STD0932006	\$7.19
		.0933			STD0932010	\$8.30
		.0983			STD0932010OS	\$8.83
		.0933			STD0932014	\$10.03
	7/64	.1089	1/4	1/8	STD1092006	\$7.25
		.1089			STD1092010	\$7.93
		.1089			STD1092014	\$10.03

Prices subject to change without notice

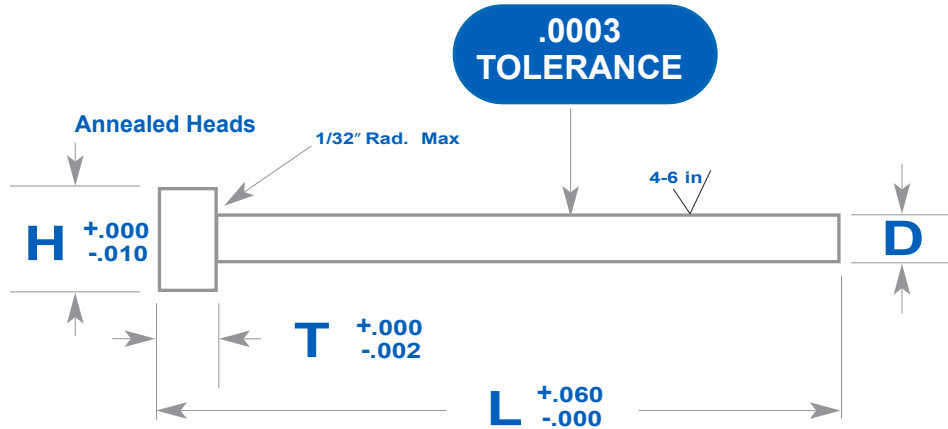


STAINLESS STEEL EJECTOR PINS

U.S. INCH



**Made in the USA
In Stock**



- 420 Stainless Steel 50-52 RC thru hard
- Superior corrosion resistance compared to standard ejector pins
- 4-6 micro inch finish reduces wear
- Designed to industry standard tolerances
- Custom diameters ground for fast delivery
- Custom forms available
- Same exceptional quality as our M-2 XP Pins

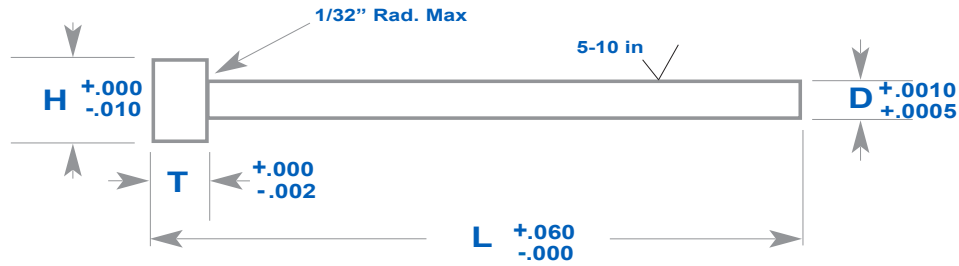
Pin Dia	Actual Size	Head Dia	Head Thick	Overall Length	Catalog Number	List Price
D	+.0000 -.0003	H	T	L		
1/8	.1245	1/4	1/8	6.00	SS12506	\$12.00
				10.00	SS12510	\$16.00
5/32	.1557	9/32	5/32	6.00	SS15606	\$14.00
				10.00	SS15610	\$18.00
3/16	.1870	3/8	3/16	6.00	SS18706	\$16.00
				10.00	SS18710	\$21.00
1/4	.2495	7/16	3/16	6.00	SS25006	\$19.00
				10.00	SS25010	\$25.00
9/32	.2807	7/16	1/4	6.00	SS28106	\$20.00
				10.00	SS28110	\$30.00
5/16	.3120	1/2	1/4	6.00	SS31206	\$22.00
				10.00	SS31210	\$32.00
3/8	.3745	5/8	1/4	6.00	SS37506	\$24.00
				10.00	SS37510	\$41.00
1/2	.4995	3/4	1/4	6.00	SS50006	\$32.00
				10.00	SS50010	\$49.00

Prices subject to change without notice





- H-13 Steel 50 - 55 R/C
- Annealed Heads for easy keying or special machining



Pin Dia	Actual Size	Head Dia	Head Thick	Overall Length	Catalog Number	List Price
D		H	T	L		
3/32	.0937	1/4	1/8	3.00	HC09303	4.41
				6.00	HC09306	4.73
				10.00	HC09310	5.57
7/64	.1093	1/4	1/8	3.00	HC10903	4.62
				6.00	HC10906	4.83
				10.00	HC10910	5.78
1/8	.1250	1/4	1/8	3.00	HC12503	2.94
				6.00	HC12506	3.05
				10.00	HC12510	3.89
9/64	.1406	1/4	1/8	3.00	HC14003	2.94
				6.00	HC14006	3.15
				10.00	HC14010	3.89
5/32	.1562	9/32	5/32	3.00	HC15603	3.05
				6.00	HC15606	3.15
				10.00	HC15610	3.89
11/64	.1718	11/32	3/16	3.00	HC17103	3.05
				6.00	HC17106	3.15
				10.00	HC17110	4.10
3/16	.1875	3/8	3/16	3.00	HC18703	3.05
				6.00	HC18706	3.26
				10.00	HC18710	4.10
13/64	.2031	3/8	3/16	3.00	HC20303	3.15
				6.00	HC20306	3.26
				10.00	HC20310	4.31
7/32	.2187	13/32	3/16	3.00	HC21803	3.15
				6.00	HC21806	3.36
				10.00	HC21810	4.31
1/4	.2500	7/16	3/16	3.00	HC25003	3.36
				6.00	HC25006	3.68
				10.00	HC25010	4.52

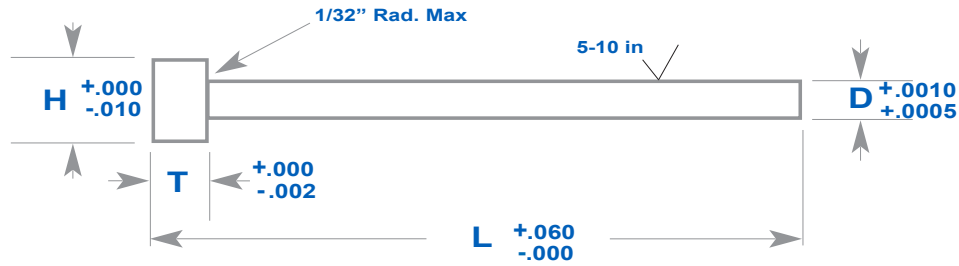
Pin Dia	Actual Size	Head Dia	Head Thick	Overall Length	Catalog Number	List Price
D		H	T	L		
9/32	.2812	7/16	1/4	3.00	HC28103	3.78
				6.00	HC28106	3.99
				10.00	HC28106	5.15
5/16	.3125	1/2	1/4	3.00	HC31203	4.10
				6.00	HC31206	4.31
				10.00	HC31210	5.67
11/32	.3437	9/16	1/4	3.00	HC34303	4.52
				6.00	HC34306	4.73
				10.00	HC34310	6.35
3/8	.3750	5/8	1/4	3.00	HC37503	4.94
				6.00	HC37506	5.25
				10.00	HC37510	6.93
13/32	.4062	11/16	1/4	3.00	HC40603	5.25
				6.00	HC40606	5.67
				10.00	HC40610	7.46
7/16	.4375	11/16	1/4	3.00	HC43703	5.88
				6.00	HC43706	6.25
				10.00	HC43710	8.19
15/32	.4687	3/4	1/4	3.00	HC46803	6.41
				6.00	HC46806	6.72
				10.00	HC46810	8.93
1/2	.5000	3/4	1/4	3.00	HC50003	6.93
				6.00	HC50006	7.25
				10.00	HC50010	9.77
9/16	.5625	13/16	1/4	3.00	HC56206	8.51
				6.00	HC56210	11.29
5/8	.6250	7/8	1/4	10.00	HC62506	9.98
				3.00	HC62510	13.44
3/4	.7500	1	1/4	6.00	HC75006	13.65
				10.00	HC75010	18.38

Prices subject to change without notice





- H-13 Steel 30 - 35 R/C
- Annealed Heads for easy keying or special machining



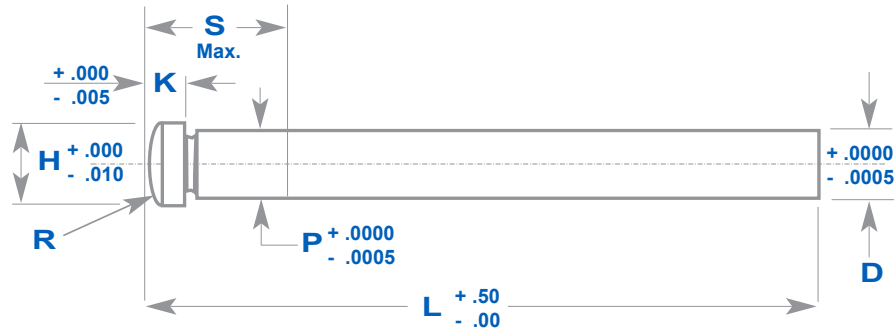
Pin Dia	Actual Size	Head Dia	Head Thick	Overall Length	Catalog Number	List Price
D		H	T	L		
3/32	.0937	1/4	1/8	3.00	SC09303	4.31
				6.00	SC09306	4.41
				10.00	SC09310	5.15
7/64	.1093	1/4	1/8	3.00	SC10903	4.41
				6.00	SC10906	4.52
				10.00	SC10910	5.46
1/8	.1250	1/4	1/8	3.00	SC12503	2.68
				6.00	SC12506	2.78
				10.00	SC12510	3.68
9/64	.1406	1/4	1/8	3.00	SC14003	2.68
				6.00	SC14006	2.84
				10.00	SC14010	3.68
5/32	.1562	9/32	5/32	3.00	SC15603	2.78
				6.00	SC15606	2.94
				10.00	SC15610	3.78
11/64	.1718	11/32	3/16	3.00	SC17103	2.78
				6.00	SC17106	2.94
				10.00	SC17110	3.89
3/16	.1875	3/8	3/16	3.00	SC18703	2.84
				6.00	SC18706	2.94
				10.00	SC18710	3.94
13/64	.2031	3/8	3/16	3.00	SC20303	2.94
				6.00	SC20306	3.05
				10.00	SC20310	3.99
7/32	.2187	13/32	3/16	3.00	SC21803	2.94
				6.00	SC21806	3.15
				10.00	SC21810	4.10
1/4	.2500	7/16	3/16	3.00	SC25003	3.15
				6.00	SC25006	3.26
				10.00	SC25010	4.41

Pin Dia	Actual Size	Head Dia	Head Thick	Overall Length	Catalog Number	List Price
D		H	T	L		
9/32	.2812	7/16	1/4	3.00	SC28103	3.52
				6.00	SC28106	3.68
				10.00	SC28106	4.73
5/16	.3125	1/2	1/4	3.00	SC31203	3.89
				6.00	SC31206	3.99
				10.00	SC31210	5.25
11/32	.3437	9/16	1/4	3.00	SC34303	4.10
				6.00	SC34306	4.31
				10.00	SC34310	5.67
3/8	.3750	5/8	1/4	3.00	SC37503	4.52
				6.00	SC37506	4.78
				10.00	SC37510	6.30
13/32	.4062	11/16	1/4	3.00	SC40603	4.94
				6.00	SC40606	5.15
				10.00	SC40610	6.83
7/16	.4375	11/16	1/4	3.00	SC43703	5.46
				6.00	SC43706	5.62
				10.00	SC43710	7.46
15/32	.4687	3/4	1/4	3.00	SC46803	5.88
				6.00	SC46806	6.25
				10.00	SC46810	8.09
1/2	.5000	3/4	1/4	3.00	SC50003	6.51
				6.00	SC50006	6.72
				10.00	SC50010	8.72
9/16	.5625	13/16	1/4	3.00	SC56206	7.77
				6.00	SC56210	11.45
5/8	.6250	7/8	1/4	10.00	SC62506	9.35
				3.00	SC62510	12.29
3/4	.7500	1	1/4	6.00	SC75006	12.65
				10.00	SC75010	16.75

Prices subject to change without notice



- Spherical Radius on Head allows installation without extra machining on the head
- Precision ground shanks provide the press fit necessary for secure installation
- Smooth surface with non-galling surface treatment eliminates wear
- Made from High Tinsel Strength Steel and treated for Lubricity



Diameter	Step Diameter	Head Diameter	Head Thickness	Head Radius	Overall Length	Step Length	Catalog Number	List Price
D	P	H	K	R	L	S		
.374	.377	.500	.250	3/8	6.00	7/8	AP03706	12.00
					10.00	1-3/8	AP03710	13.00
.499	.502	.625	.250	1/2	6.00	7/8	AP05006	13.00
					10.00	1-3/8	AP05010	18.00
.624	.627	.750	.250	5/8	6.00	7/8	AP06306	13.50
					10.00	1-3/8	AP06310	18.00
.749	.752	.875	.312	3/4	10.00	1-3/8	AP07510	26.00
					14.00	1-3/8	AP07514	45.00

Prices subject to change without notice

Installation Instructions:

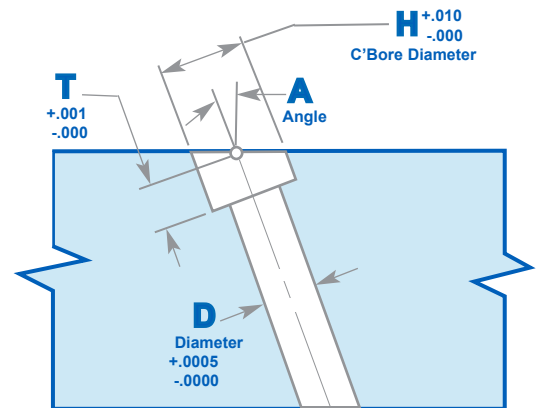
Notes:

* Diameter dimension specified for hole will provide approximately .000 to .001 clearance with the "P" diameter to press fit area of the pins. Moldmaker to adjust "D" diameter hole dimensions to obtain specific fit required.

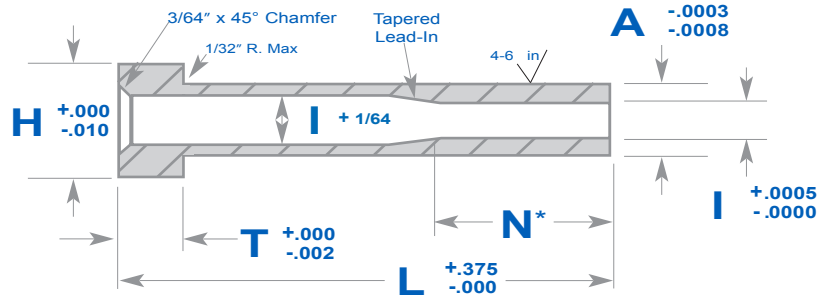
Cut angle pin to length as required to achieve desired travel on slide. Typically, a spherical radius or cone shape with a spherical radius is machined on end of angle pin (opposite the head)

Spherical radius on head is suitable for angles up to and including 20 degrees.

Dia	D*	A	T	H
3/8	*.3765	10*	.256	.562
		15*	.264	
		20*	.275	
1/2	*.5015	10*	.258	.688
		15*	.268	
		20*	.283	
5/8	*.6265	10*	.260	.812
		15*	.273	
		20*	.291	
3/4	*.7515	10*	.324	.938
		15*	.339	
		20*	.361	



- Annealed Heads
- ID is precision honed
- H-13 Steel - Nitrided on both ID & OD
- Available in 3" overall length for use as Ejector Pin Bushing
- Precision concentricity is held within .002 TIR or less at working end



*N = 1-3/4" for ES093 and ES125
 *N = 2-1/4" for ES156 and larger

ID	OD	Head Dia	Head Thick	Overall Length	Catalog Number	List Price
I	A	H	T	L		
3/32	3/16	3/8	3/16	3.00	ES09303	32.55
				4.00	ES09304	33.34
				5.00	ES09305	36.49
				6.00	ES09306	39.64
				7.00	ES09307	43.05
1/8	7/32	13/32	3/16	3.00	ES12503	31.50
				4.00	ES12504	32.29
				5.00	ES12505	35.44
				6.00	ES12506	38.85
				7.00	ES12507	42.26
				8.00	ES12508	51.45
				9.00	ES12509	95.55
				10.00	ES12510	110.25

Prices subject to change without notice

ID	OD	Head Dia	Head Thick	Overall Length	Catalog Number	List Price
I	A	H	T	L		
5/32	1/4	7/16	3/16	3.00	ES15603	27.30
				4.00	ES15604	24.68
				5.00	ES15605	25.99
				6.00	ES15606	28.09
				7.00	ES15607	30.45
				8.00	ES15608	33.60
				9.00	ES15609	37.28
				10.00	ES15610	41.48
3/16	5/16	1/2	1/4	3.00	ES18703	27.30
				4.00	ES18704	25.46
				5.00	ES18705	27.04
				6.00	ES18706	29.14
				7.00	ES18707	31.76
				8.00	ES18708	35.18
				9.00	ES18709	38.85
				10.00	ES18710	43.31
				11.00	ES18711	48.30
				12.00	ES18712	53.55



EJECTOR SLEEVES

ID	OD	Head Dia	Head Thick	Overall Length	Catalog Number	List Price
I	A	H	T	L		
7/32	11/32	9/16	1/4	3.00	ES21803	28.35
				4.00	ES21804	25.46
				5.00	ES21805	27.56
				6.00	ES21806	29.93
				7.00	ES21807	33.08
				8.00	ES21808	36.75
				9.00	ES21809	40.69
				10.00	ES21810	45.15
				11.00	ES21811	54.34
				12.00	ES21812	70.61
1/4	3/8	5/8	1/4	3.00	ES25003	29.40
				4.00	ES25004	26.25
				5.00	ES25005	28.09
				6.00	ES25006	30.45
				7.00	ES25007	33.60
				8.00	ES25008	37.01
				9.00	ES25009	41.48
				10.00	ES25010	45.94
				11.00	ES25011	51.45
				12.00	ES25012	57.23
5/16	7/16	11/16	1/4	3.00	ES31203	30.45
				4.00	ES31204	27.04
				5.00	ES31205	29.93
				6.00	ES31206	32.81
				7.00	ES31207	35.96
				8.00	ES31208	39.90
				9.00	ES31209	44.36
				10.00	ES31210	49.35
				11.00	ES31211	55.91
				12.00	ES31212	61.16
3/8	1/2	3/4	1/4	3.00	ES37503	44.10
				4.00	ES37504	27.30
				5.00	ES37505	32.29
				6.00	ES37506	35.44
				7.00	ES37507	38.85
				8.00	ES37508	43.05
				9.00	ES37509	47.51
				10.00	ES37510	52.76
				11.00	ES37511	58.54
				12.00	ES37512	64.84
7/16	5/8	7/8	1/4	3.00	ES43703	35.70
				4.00	ES43704	29.40
				5.00	ES43705	35.18
				6.00	ES43706	40.95
				7.00	ES43707	44.89

ID	OD	Head Dia	Head Thick	Overall Length	Catalog Number	List Price
I	A	H	T	L		
7/16	5/8	7/8	1/4	8.00	ES43708	49.09
				9.00	ES43709	54.08
				10.00	ES43710	59.33
				11.00	ES43711	65.36
				12.00	ES43712	72.24
1/2	11/16	15/16	1/4	3.00	ES50003	37.80
				4.00	ES50004	30.71
				5.00	ES50005	36.23
				6.00	ES50006	42.79
				7.00	ES50007	46.99
				8.00	ES50008	51.71
				9.00	ES50009	56.96
				10.00	ES50010	62.74
				11.00	ES50011	69.04
				12.00	ES50012	75.60
9/16	3/4	1	1/4	3.00	ES56203	43.05
				4.00	ES56204	38.06
				5.00	ES56205	42.00
				6.00	ES56206	46.20
				7.00	ES56207	50.66
				8.00	ES56208	55.65
				9.00	ES56209	61.43
				10.00	ES56210	66.94
				11.00	ES56211	73.76
				12.00	ES56212	79.80
5/8	7/8	1-1/8	1/4	3.00	ES62503	48.30
				4.00	ES62504	43.31
				5.00	ES62505	47.51
				6.00	ES62506	51.98
				7.00	ES62507	56.96
				8.00	ES62508	62.21
				9.00	ES62509	67.99
				10.00	ES62510	77.96
				11.00	ES62511	80.59
				12.00	ES62512	89.25
3/4	1	1-1/4	1/4	3.00	ES75003	53.55
				4.00	ES75004	48.30
				5.00	ES75005	52.76
				6.00	ES75006	57.49
				7.00	ES75007	62.74
				8.00	ES75008	71.66
				9.00	ES75009	78.75
				10.00	ES75010	80.59
				11.00	ES75011	92.14
				12.00	ES75012	99.75

Prices subject to change without notice

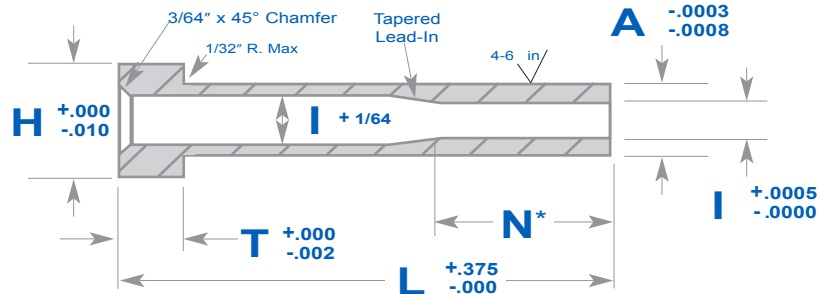




OVERSIZE EJECTOR SLEEVES

Oversize **+.005 on O.D.**

- Annealed Heads
- ID is precision honed
- H-13 Steel - Nitrided on both ID & OD
- Available in 3" overall length for use as Ejector Pin Bushing
- Precision concentricity is held within .002 TIR or less at working end



*N = 1-3/4" for OES093 and OES125

*N = 2-1/4" for OES156 and larger

ID	OD	Head Dia	Head Thick	Overall Length	Catalog Number	List Price
I	A	H	T	L		
3/32	.1925	3/8	3/16	3.00	OES09303	60.90
				4.00	OES09304	59.33
				5.00	OES09305	64.58
				6.00	OES09306	70.35
				7.00	OES09307	93.98
1/8	.2238	13/32	3/16	3.00	OES12503	58.80
				4.00	OES12504	57.75
				5.00	OES12505	63.00
				6.00	OES12506	71.66
				7.00	OES12507	96.60
5/32	.2550	7/16	3/16	4.00	OES15604	45.15
				5.00	OES15605	47.51
				6.00	OES15606	51.45
				7.00	OES15607	67.99
				8.00	OES15608	75.34
				9.00	OES15609	83.48
				10.00	OES15610	92.66
				11.00	OES15611	102.90
				12.00	OES15612	113.40
				3/16	.3175	1/2
5.00	OES18705	49.35				
6.00	OES18706	53.55				
7.00	OES18707	71.40				
8.00	OES18708	78.75				
9.00	OES18709	87.15				
10.00	OES18710	93.98				
11.00	OES18711	103.95				
12.00	OES18712	115.50				

ID	OD	Head Dia	Head Thick	Overall Length	Catalog Number	List Price
I	A	H	T	L		
1/4	.3800	5/8	1/4	4.00	OES25004	47.51
				5.00	OES25005	51.98
				6.00	OES25006	57.75
				7.00	OES25007	76.65
				8.00	OES25008	85.05
				9.00	OES25009	91.35
				10.00	OES25010	104.48
				11.00	OES25011	114.45
				12.00	OES25012	124.95
				5/16	.4425	11/16
5.00	OES31205	56.44				
6.00	OES31206	61.43				
7.00	OES31207	82.16				
8.00	OES31208	91.88				
9.00	OES31209	97.91				
10.00	OES31210	111.83				
11.00	OES31211	121.80				
12.00	OES31212	132.30				
3/8	.5050	3/4	1/4			
				5.00	OES37505	60.38
				6.00	OES37506	69.30
				7.00	OES37507	92.93
				8.00	OES37508	102.38
				9.00	OES37509	112.35
				10.00	OES37510	123.38
				11.00	OES37511	133.25
				12.00	OES37512	143.85

Prices subject to change without notice



Tapered Interlocks Info	D1
Round Tapered Interlocks - Female	D2
Round Tapered Interlocks - Male	D3
With Counterbore - Male & Female	D4



RTF-RTM TAPERED INTERLOCKS

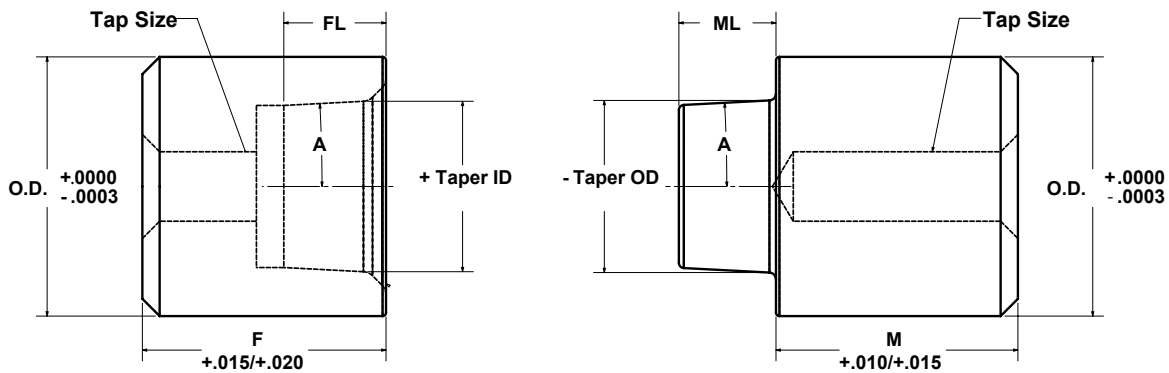
- An Inexpensive Alternative For Straight Parting Line Locks

- Proudly Made in Michigan by Choice Mold Components

NEW

- Ensures positive alignment between mold halves
- All sizes in stock for immediate delivery
- Hardened & Precision Ground/Finished
- Extra stock for precision fitting
- 52100 Bearing Steel
- Female & Male 60 - 63 R/C
- Laser Marked

1 DEGREE ANGLE
3 DEGREE ANGLE
5 DEGREE ANGLE
10 DEGREE ANGLE



Note:

Grind stock is provided on the Female interlock surface. To register the interlock on the tapered surfaces, stock must be ground from the front face of the female until there is a slight clearance between the faces of the male and female when assembled. Precision fitting of interlocks requires grinding the necessary amount of stock from the female face to obtain contact on tapered surfaces and male and female faces simultaneously.

There is a grind stock on the back of both male and female interlocks. After fitting the front taper the backs of the interlocks are ground to match mold plate thickness or to meet design requirement.

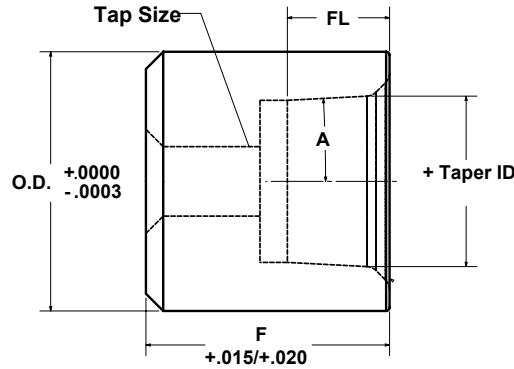
Also Available - Custom Taper Locks manufactured to your specifications

- Ensures positive alignment between mold halves
- All sizes in stock for immediate delivery
- Hardened & Precision Ground/Finished
- Extra stock for precision fitting
- 52100 Bearing Steel
- Female 60 - 63 R/C
- Laser Marked

NEW

In Stock

1 DEGREE ANGLE
3 DEGREE ANGLE
5 DEGREE ANGLE
10 DEGREE ANGLE



Catalog Number:

- 01 = 1 Degree Angle
- 03 = 3 Degree Angle
- 05 = 5 Degree Angle
- 10 = 10 Degree Angle

- **An Inexpensive Alternative For Straight Parting Line Locks**
- **Proudly Made in Michigan by Choice Mold Components**

OD	Taper ID	Tap Size	Taper Length FL	Female Length F	Catalog Number	Price
3/8	1/4	10-24 thread	1/4	9/16	RTF0207-10	24.25
				11/16	RTF0211-10	24.25
				7/8	RTF0214-10	24.25
1/2	5/16	10-24 thread	1/4	11/16	RTF0411-01	27.00
					RTF0411-03	26.00
					RTF0411-05	25.00
				7/8	RTF0411-10	24.00
					RTF0414-01	27.25
					RTF0414-03	26.25
				7/8	RTF0414-05	25.25
					RTF0414-10	24.25
					1-3/16	RTF0419-01
				RTF0419-03		26.50
				RTF0419-05		25.50
				1-3/8	RTF0419-10	24.50
					RTF0422-01	27.75
					RTF0422-03	26.75
				1-3/8	RTF0422-05	25.75
RTF0422-10	24.75					
11/16	RTF0611-01	28.00				
	RTF0611-03	27.00				
	RTF0611-05	26.00				
	RTF0611-10	25.00				
3/4	1/2	1/4-20 thread	9/32	7/8	RTF0614-01	28.25
					RTF0614-03	27.25
				1-3/16	RTF0614-05	26.25
					RTF0614-10	25.25
					RTF0619-01	28.50
RTF0619-03	27.50					

OD	Taper ID	Tap Size	Taper Length FL	Female Length F	Catalog Number	Price
3/4	1/2	1/4-20 thread	9/32	1-3/16	RTF0619-05	26.50
					RTF0619-10	25.50
				1-3/8	RTF0622-01	28.75
					RTF0622-03	27.75
					RTF0622-05	26.75
1	5/8	1/4-20 thread	11/32	11/16	RTF0622-10	25.75
					RTF0811-01	29.00
					RTF0811-03	28.00
				7/8	RTF0811-05	27.00
					RTF0811-10	26.00
					7/8	RTF0814-01
				RTF0814-03		28.25
				RTF0814-05		27.25
				1-3/16	RTF0814-10	26.25
					RTF0819-01	29.50
					RTF0819-03	28.50
				1-3/8	RTF0819-05	27.50
RTF0819-10	26.50					
1-3/8	RTF0822-01	29.75				
	RTF0822-03	28.75				
	RTF0822-05	27.75				
	RTF0822-10	26.75				
1-1/2	1	5/16-18 thread	1/2	1-1/8	RTF1218-10	33.00
				1-3/8	RTF1222-10	33.25
				1-5/8	RTF1226-10	33.50
2	1-1/2	5/16-18 thread	1/2	1-1/8	RTF1618-10	43.00
				1-3/8	RTF1622-10	43.25
				1-5/8	RTF1626-10	43.50

Prices subject to change without notice

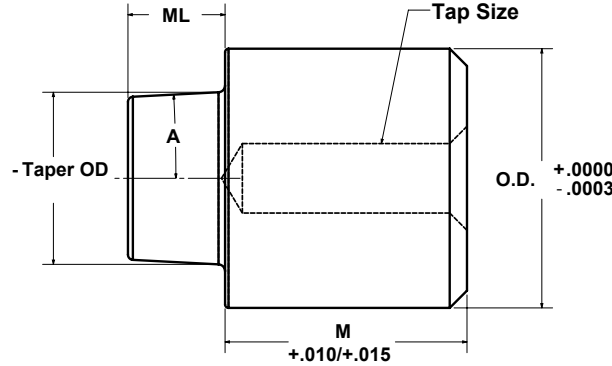
Also Available - Custom Taper Locks manufactured to your specifications

- Ensures positive alignment between mold halves
- All sizes in stock for immediate delivery
- Hardened & Precision Ground/Finished
- Extra stock for precision fitting
- 52100 Bearing Steel
- Male 60 - 63 R/C
- Laser Marked

NEW

In Stock

1 DEGREE ANGLE
3 DEGREE ANGLE
5 DEGREE ANGLE
10 DEGREE ANGLE



Catalog Number:

- 01 = 1 Degree Angle
- 03 = 3 Degree Angle
- 05 = 5 Degree Angle
- 10 = 10 Degree Angle

- *An Inexpensive Alternative For Straight Parting Line Locks*
- *Proudly Made in Michigan by Choice Mold Components*

OD	Taper ID	Tap Size	Taper Length ML	Male Length M	Catalog Number	Price				
3/8	1/4	10-24 thread	1/4	9/16	RTM0207-10	24.25				
				11/16	RTM0211-10	24.25				
				7/8	RTM0214-10	24.25				
1/2	5/16	10-24 thread	1/4	11/16	RTM0411-01	27.00				
					RTM0411-03	26.00				
					RTM0411-05	25.00				
					RTM0411-10	24.00				
				7/8	RTM0414-01	27.25				
					RTM0414-03	26.25				
					RTM0414-05	25.25				
					RTM0414-10	24.25				
				1-3/16	RTM0419-01	27.50				
					RTM0419-03	26.50				
					RTM0419-05	25.50				
					RTM0419-10	24.50				
				1-3/8	RTM0422-01	27.75				
					RTM0422-03	26.75				
					RTM0422-05	25.75				
					RTM0422-10	24.75				
				3/4	1/2	1/4-20 thread	9/32	11/16	RTM0611-01	28.00
									RTM0611-03	27.00
RTM0611-05	26.00									
7/8	RTM0611-10	25.00								
	RTM0614-01	28.25								
	RTM0614-03	27.25								
	RTM0614-05	26.25								
1-3/16	RTM0614-10	25.25								
	RTM0619-01	28.50								
	RTM0619-03	27.50								

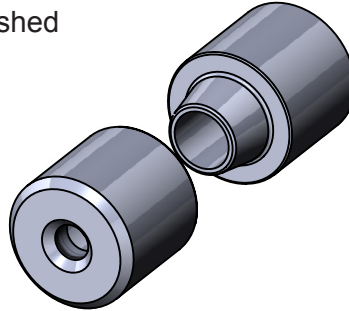
OD	Taper ID	Tap Size	Taper Length ML	Male Length M	Catalog Number	Price				
3/4	1/2	1/4-20 thread	9/32	1-3/16	RTM0619-05	26.50				
					RTM0619-10	25.50				
				1-3/8	RTM0622-01	28.75				
					RTM0622-03	27.75				
1	5/8	1/4-20 thread	11/32	11/16	RTM0622-05	26.75				
					RTM0622-10	25.75				
					7/8	RTM0811-01	29.00			
						RTM0811-03	28.00			
				RTM0811-05		27.00				
				RTM0811-10		26.00				
				1-3/16	RTM0814-01	29.25				
					RTM0814-03	28.25				
					RTM0814-05	27.25				
					RTM0814-10	26.25				
				1-3/8	RTM0819-01	29.50				
					RTM0819-03	28.50				
					RTM0819-05	27.50				
					RTM0819-10	26.50				
				1-1/2	1	5/16-18 thread	1/2	1-3/8	RTM0822-01	29.75
									RTM0822-03	28.75
RTM0822-05	27.75									
RTM0822-10	26.75									
2	1-1/2	5/16-18 thread	1/2	1-1/8	RTM1218-10	33.00				
				1-3/8	RTM1222-10	33.25				
				1-5/8	RTM1226-10	33.50				
				1-1/8	RTM1618-10	43.00				
				1-3/8	RTM1622-10	43.25				
1-5/8	RTM1626-10	43.50								

Prices subject to change without notice

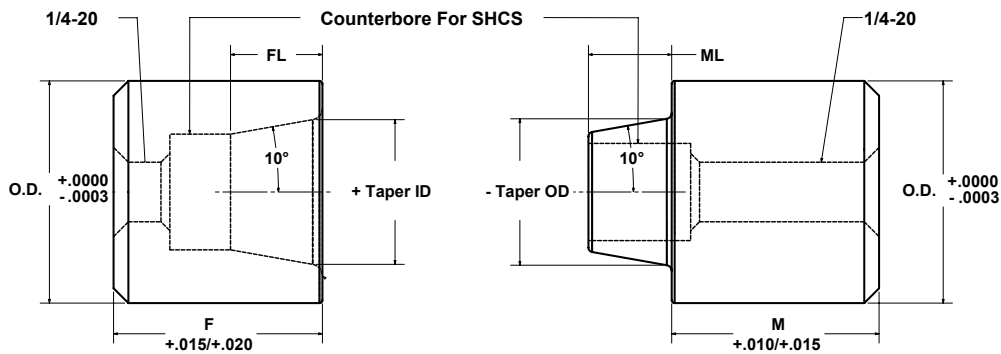
Also Available - Custom Taper Locks manufactured to your specifications

NEW

- Ensures positive alignment between mold halves
- All sizes in stock for immediate delivery
- Hardened & Precision Ground/Finished
- Extra stock for precision fitting
- 52100 Bearing Steel
- Female 60 - 63 R/C
- Male 60 - 63 R/C
- Laser Marked



- Special Design with Drill & Counterbore for Optional Front/Parting Line Installation!
- Ideal Substitution for Leader Pins & Bushings For Blow Mold Tooling
- Proudly Made in Michigan by Choice Mold Components



FEMALE

OD	Taper ID	Tap Size	Taper Length	Female Length	Catalog Number	Price
			FL	F		
3/4	1/2	1/4-20 thread	1/4	11/16	RTF0611-10C	27.00
				7/8	RTF0614-10C	27.25
				1-3/16	RTF0619-10C	27.50
				1-3/8	RTF0622-10C	27.75
1	5/8	1/4-20 thread	9/32	11/16	RTF0811-10C	28.00
				7/8	RTF0814-10C	28.25
				1-3/16	RTF0819-10C	28.50
				1-3/8	RTF0822-10C	28.75

MALE

OD	Taper ID	Tap Size	Taper Length	Male Length	Catalog Number	Price
			ML	M		
3/4	1/2	1/4-20 thread	1/4	11/16	RTM0611-10C	27.00
				7/8	RTM0614-10C	27.25
				1-3/16	RTM0619-10C	27.50
				1-3/8	RTM0622-10C	27.75
1	5/8	1/4-20 thread	9/32	11/16	RTM0811-10C	28.00
				7/8	RTM0814-10C	28.25
				1-3/16	RTM0819-10C	28.50
				1-3/8	RTM0822-10C	28.75

Prices subject to change without notice

Also Available - Custom Taper Locks manufactured to your specifications

Leader Pins E1

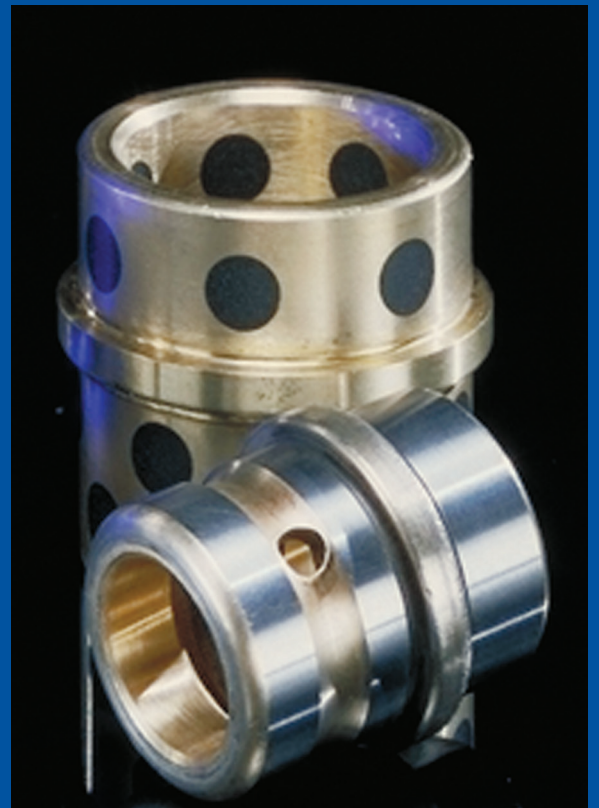
Shoulder Bushings

Steel E2

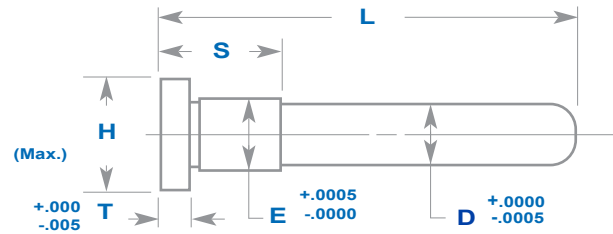
Solid Bronze E3

Guided Ejection Bushing E4

Graphite Plugged Bushing..... E5



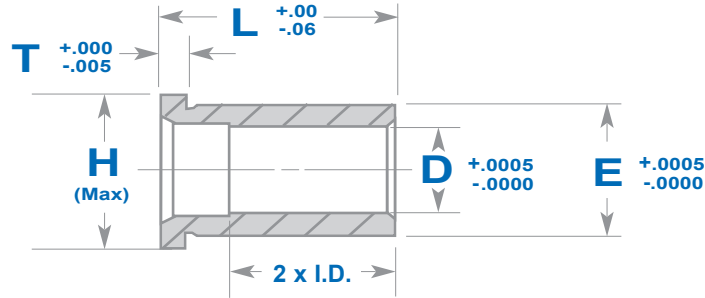
- Made from High Strength Steel Alloy
- Case Hardened & Precision Ground



Nom.	Dia D	Step Dia E	Head Thick T	Head Dia H	Step Length S	Overall Length L	Catalog Number	Price
						2-1/4	CLP0750225	\$9.45
						2-3/4	CLP0750275	\$9.71
						3-1/4	CLP0750325	\$9.45
						3-3/4	CLP0750375	\$9.66
					1-3/8	4-1/4	CLP0750425	\$9.87
						4-3/4	CLP0750475	\$10.24
						5-1/4	CLP0750525	\$10.61
					1-7/8	5-3/4	CLP0750575	\$10.87
						6-1/4	CLP0750625	\$11.08
						6-3/4	CLP0750675	\$11.34
						7-1/4	CLP0750725	\$11.60
						7-3/4	CLP0750775	\$11.81
						9-1/4	CLP0750925	\$12.50
7/8	.874	.876	1/4	1.115	7/8	1-3/4	CLP0870175	\$9.03
						2-1/4	CLP0870225	\$9.45
						2-3/4	CLP0870275	\$9.66
						3-1/4	CLP0870325	\$10.08
						3-3/4	CLP0870375	\$10.50
					1-3/8	4-1/4	CLP0870425	\$10.82
						4-3/4	CLP0870475	\$11.13
						5-1/4	CLP0870525	\$11.55
					1-7/8	5-3/4	CLP0870575	\$11.87
						6-1/4	CLP0870625	\$12.18
						6-3/4	CLP0870675	\$12.65
						7-1/4	CLP0870725	\$12.92
						7-3/4	CLP0870775	\$13.34
						8-1/4	CLP0870825	\$13.76
						8-3/4	CLP0870875	\$14.39
						10-3/4	CLP0871075	\$15.44
						12-1/4	CLP0871225	\$16.49
1	.999	1.001	1/4	1.240	7/8	1-3/4	CLP1000175	\$9.45
						2-1/4	CLP1000225	\$9.77
						2-3/4	CLP1000275	\$10.29
						3-1/4	CLP1000325	\$10.87
						3-3/4	CLP1000375	\$11.24

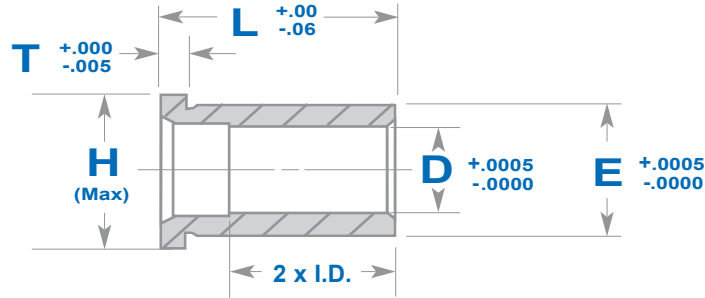
Nom.	Dia D	Step Dia E	Head Thick T	Head Dia H	Step Length S	Overall Length L	Catalog Number	Price
						4-3/4	CLP1000475	\$12.18
						5-1/4	CLP1000525	\$12.65
						5-3/4	CLP1000575	\$13.18
						6-1/4	CLP1000625	\$13.65
						6-3/4	CLP1000675	\$13.91
						7-1/4	CLP1000725	\$14.49
						7-3/4	CLP1000775	\$14.91
					1-7/8	8-1/4	CLP1000825	\$15.44
						8-3/4	CLP1000875	\$15.86
						9-1/4	CLP1000925	\$16.28
						9-3/4	CLP1000975	\$16.91
						10-1/4	CLP1001025	\$17.33
						10-3/4	CLP1001075	\$17.75
						11-1/4	CLP1001125	\$18.17
						11-3/4	CLP1001175	\$18.69
						12-1/4	CLP1001225	\$19.95
1-1/4	1.249	1.251	5/16	1.490	7/8	2-3/4	CLP1200275	\$11.76
						3-1/4	CLP1200325	\$12.39
						3-3/4	CLP1200375	\$13.34
					1-3/8	4-1/4	CLP1200425	\$13.97
						4-3/4	CLP1200475	\$14.70
						5-1/4	CLP1200525	\$15.44
						5-3/4	CLP1200575	\$16.07
						6-1/4	CLP1200625	\$16.91
						6-3/4	CLP1200675	\$17.54
						7-1/4	CLP1200725	\$18.17
						7-3/4	CLP1200775	\$19.01
					1-7/8	8-1/4	CLP1200825	\$19.74
						8-3/4	CLP1200875	\$20.48
						9-1/4	CLP1200925	\$21.11
						9-3/4	CLP1200975	\$21.89
						10-1/4	CLP1201025	\$22.68
						10-3/4	CLP1201075	\$23.31
						11-1/4	CLP1201125	\$24.15
						11-3/4	CLP1201175	\$24.89
						12-1/4	CLP1201225	\$25.52
						12-3/4	CLP1201275	\$30.98

Prices subject to change without notice



Nom. ID	Inside Dia	Outside Dia	Head Thick	Head Dia	Overall Length	Catalog Number	Price
	D	E	T	H	L		
3/4	.7505	1.1255	.187	1.250	7/8	CSB075087	\$10.51
					1-3/8	CSB075137	\$11.67
					1-7/8	CSB075187	\$12.78
					2-3/8	CSB075237	\$13.63
					2-7/8	CSB075287	\$14.47
					3-3/8	CSB075337	\$15.35
					3-7/8	CSB075387	\$16.21
					4-3/8	CSB075437	\$17.32
					4-7/8	CSB075487	\$18.21
7/8	.8755	1.2505	.187	1.375	7/8	CSB087087	\$11.87
					1-3/8	CSB087137	\$13.11
					1-7/8	CSB087187	\$14.62
					2-3/8	CSB087237	\$15.81
					2-7/8	CSB087287	\$16.71
					3-3/8	CSB087337	\$17.60
					3-7/8	CSB087387	\$19.10
					4-3/8	CSB087437	\$20.30
					4-7/8	CSB087487	\$21.49
1	1.0005	1.3755	.187	1.500	7/8	CSB100087	\$12.20
					1-3/8	CSB100137	\$13.68
					1-7/8	CSB100187	\$14.90
					2-3/8	CSB100237	\$16.11
					2-7/8	CSB100287	\$17.31
					3-3/8	CSB100337	\$18.48
					3-7/8	CSB100387	\$19.72
					4-3/8	CSB100437	\$21.15
					4-7/8	CSB100487	\$22.36
1-1/4	1.2505	1.6255	.187	1.750	7/8	CSB120087	\$12.55
					1-3/8	CSB120137	\$14.58
					1-7/8	CSB120187	\$15.82
					2-3/8	CSB120237	\$17.32
					2-7/8	CSB120287	\$19.71
					3-3/8	CSB120337	\$21.15
					3-7/8	CSB120387	\$22.48
					4-3/8	CSB120437	\$23.96
					4-7/8	CSB120487	\$25.47
					5-7/8	CSB120587	\$27.74

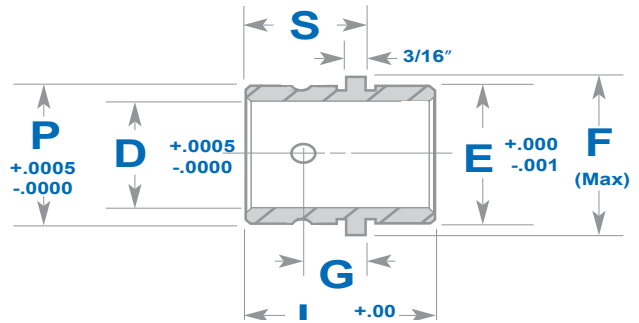
Prices subject to change without notice



Nom. ID	Inside Dia	Outside Dia	Head Thick	Head Dia	Overall Length	Catalog Number	Price
	D	E	T	H	L		
3/4	.7505	1.1255	.187	1.250	7/8	CSB075087SB	\$16.17
					1-3/8	CSB075137SB	\$18.13
					1-7/8	CSB075187SB	\$19.11
					2-3/8	CSB075237SB	\$21.07
					2-7/8	CSB075287SB	\$24.05
					3-3/8	CSB075337SB	\$26.15
					3-7/8	CSB075387SB	\$27.70
					4-3/8	CSB075437SB	\$28.88
					4-7/8	CSB075487SB	call
					5-7/8	CSB075587SB	call
7/8	.8755	1.2505	.187	1.375	7/8	CSB087087SB	\$16.17
					1-3/8	CSB087137SB	\$18.13
					1-7/8	CSB087187SB	\$19.11
					2-3/8	CSB087237SB	\$21.32
					2-7/8	CSB087287SB	\$25.08
					3-3/8	CSB087337SB	\$27.18
					3-7/8	CSB087387SB	\$28.08
					4-3/8	CSB087437SB	call
					4-7/8	CSB087487SB	call
					5-7/8	CSB087587SB	call
1	1.0005	1.3755	.187	1.500	7/8	CSB100087SB	\$17.15
					1-3/8	CSB100137SB	\$18.62
					1-7/8	CSB100187SB	\$20.09
					2-3/8	CSB100237SB	\$21.85
					2-7/8	CSB100287SB	\$25.46
					3-3/8	CSB100337SB	\$27.56
					3-7/8	CSB100387SB	\$28.49
					4-3/8	CSB100437SB	\$30.71
					4-7/8	CSB100487SB	\$33.04
					5-7/8	CSB100587SB	\$38.06
1-1/4	1.2505	1.6255	.187	1.750	7/8	CSB120087SB	\$18.13
					1-3/8	CSB120137SB	\$20.58
					1-7/8	CSB120187SB	\$23.77
					2-3/8	CSB120237SB	\$25.73
					2-7/8	CSB120287SB	\$29.66
					3-3/8	CSB120337SB	\$32.55
					3-7/8	CSB120387SB	\$34.65
					4-3/8	CSB120437SB	\$36.76
					4-7/8	CSB120487SB	\$40.04
					5-7/8	CSB120587SB	\$45.29

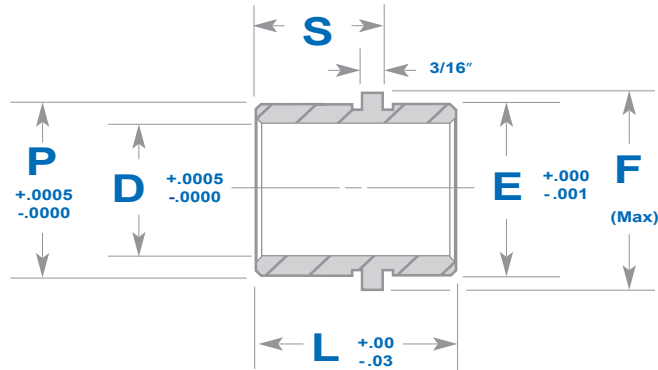
Prices subject to change without notice

- Insure non-scoring lubricity of bronze plating
- Wide range of sizes up to 1-1/2" ID
- Reduces wear on ejection components
- Eliminates the doweling of ejector & retainer plates
- Maintains alignment & supports ejector assemblies throughout the molding operation
- **Solid Bronze available upon request**



Inside Diameter	O.D. Press	Overall Length	Ring Diameter	O.D. Slip	Step Length	Grease	Catalog Number	Price
D	P	L	F	E	S	G		
.751	1.1255	1.50	1.302	1.124	1.000	.560	CEB0750P	\$22.89
.876	1.2505	1.50	1.427	1.249	1.000	.560	CEB0875P	\$23.48
1.001	1.3755	1.75	1.552	1.374	1.120	.620	CEB1000P	\$24.77
1.251	1.6255	1.75	1.802	1.624	1.120	.620	CEB1250P	\$25.62
1.501	2.0005	1.75	2.177	1.999	1.120	.620	CEB1500P	\$29.40

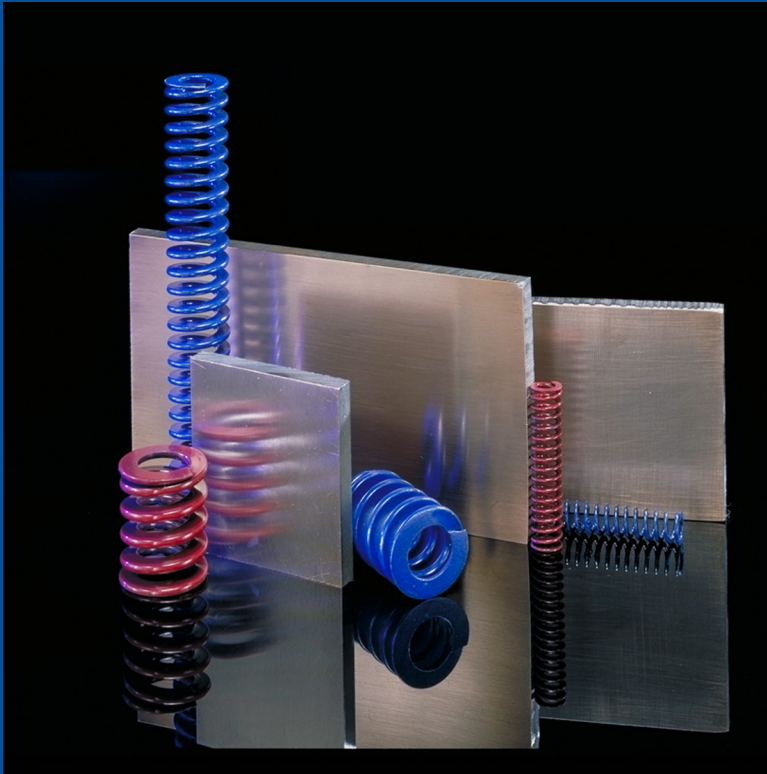
Prices subject to change without notice



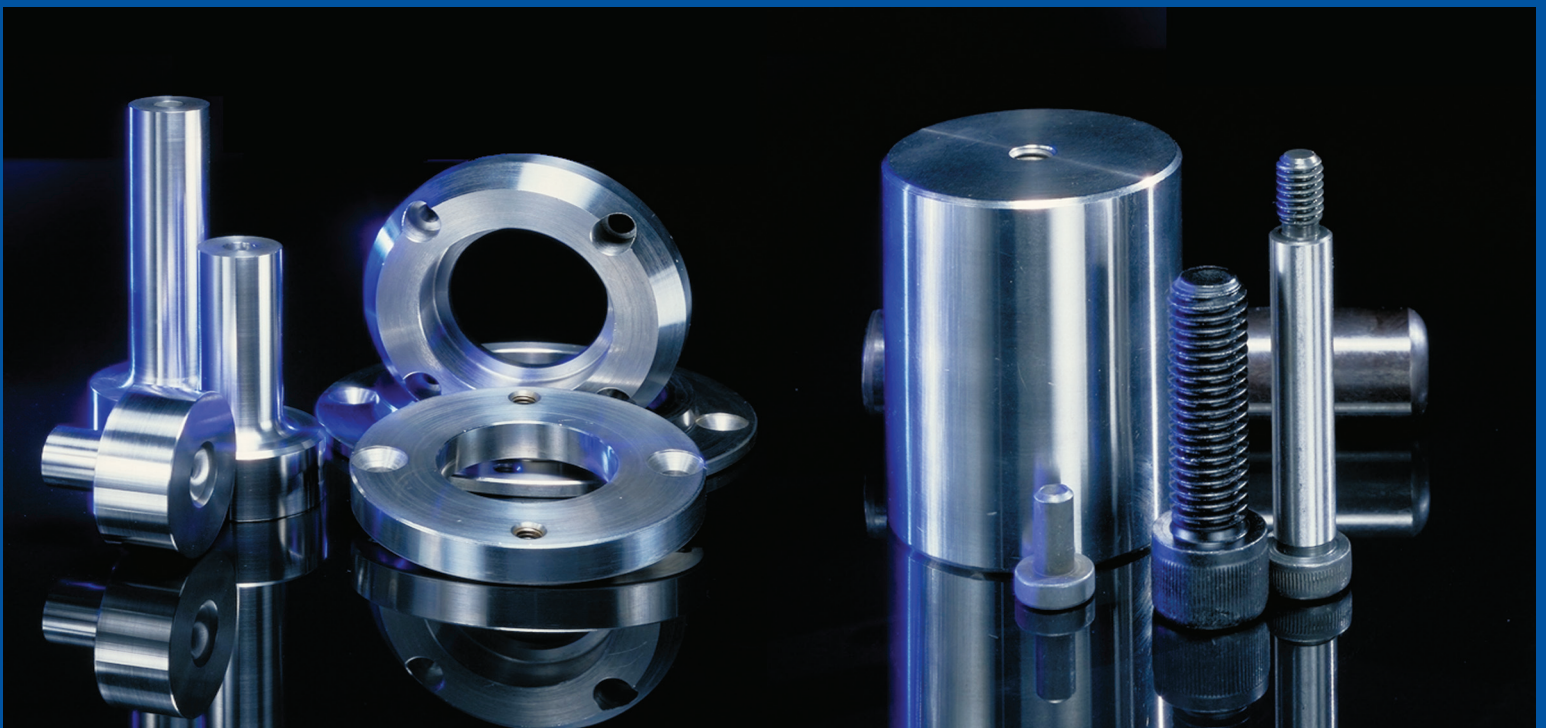
- Bronze with self-lubricating graphite plugs

Inside Diameter	O.D. Press	Overall Length	Ring Diameter	O.D. Slip	Step Length	Catalog Number	Price
D	P	L	F	E	S		
.751	1.1255	1.50	1.302	1.124	1.000	SEB0750	\$40.14
.876	1.2505	1.50	1.427	1.249	1.000	SEB0875	\$41.23
1.001	1.3755	1.75	1.552	1.374	1.120	SEB1000	\$43.94
1.251	1.6255	1.75	1.802	1.624	1.120	SEB1250	\$44.28
1.501	2.0005	1.75	2.177	1.999	1.120	SEB1500	\$50.57

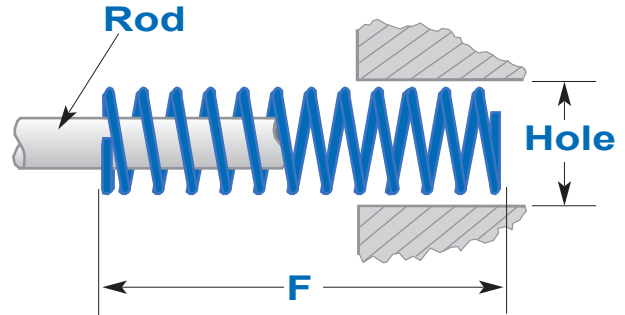
Prices subject to change without notice



Medium-Duty Springs	F1
Medium-Heavy Springs	F2
Sprue Bushings - B Series	F3
Sprue Bushings - U Series	F4
Bronze Wear Plate	F5
Support Pillars	F6
Locating Rings	F7-F8
Shoulder Bolts	F9
Socket Head Cap Screws	F10
Stop Pins	F11
Dowel Pins	F12
Tubular Dowels	F13
Safety Straps	F14



- Maximum deflection is 50% of free length
- Raymond® chrome vanadium die springs (6150)
- Efficient operating range: 25% to 35% of free length



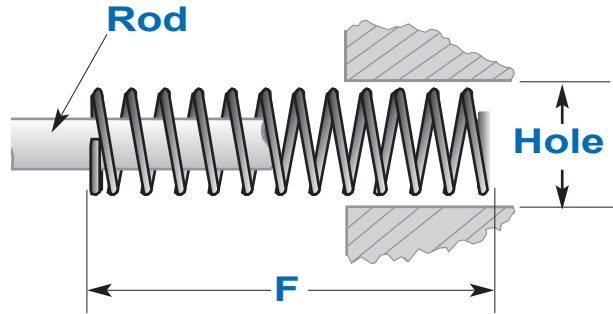
Hole Dia H	Rod Dia R	Free Length F	Load	Catalog Number	Price
3/8	3/16	1	5.6	CSM100	\$1.48
		1-1/4	4.8	CSM100A	\$1.58
		1-1/2	3.8	CSM101	\$1.80
		1-3/4	3.4	CSM101A	\$2.03
		2	2.8	CSM102	\$2.27
		2-1/2	2.4	CSM103	\$2.48
		3	1.8	CSM104	\$2.74
		12	0.6	CSM105	\$11.25
1/2	9/32	1	10.0	CSM110	\$1.64
		1-1/4	9.2	CSM110A	\$1.76
		1-1/2	7.6	CSM111	\$2.03
		1-3/4	6.8	CSM111A	\$2.17
		2	6.4	CSM112	\$2.40
		2-1/2	5.2	CSM113	\$2.65
		3	4.0	CSM114	\$2.96
		3-1/2	3.0	CSM115	\$3.22
12	0.8	CSM116	\$12.06		
5/8	11/32	1	13.1	CSM120	\$2.02
		1-1/4	12.8	CSM120A	\$2.08
		1-1/2	10.8	CSM121	\$2.27
		1-3/4	9.6	CSM121A	\$2.48
		2	8.8	CSM122	\$2.72
		2-1/2	6.0	CSM123	\$2.89
		3	5.6	CSM124	\$3.24
		3-1/2	4.8	CSM125	\$3.58
		4	4.4	CSM126	\$3.86
		12	1.4	CSM127	\$12.96
3/4	3/8	1	31.2	CSM1	\$2.82
		1-1/4	25.6	CSM1A	\$3.05
		1-1/2	20.0	CSM2	\$3.20
		1-3/4	17.6	CSM2A	\$3.40
		2	14.4	CSM3	\$3.65

Hole Dia H	Rod Dia R	Free Length F	Load	Catalog Number	Price		
3/4	3/8	2-1/2	12.0	CSM4	\$3.89		
		3	9.6	CSM5	\$4.26		
		3-1/2	8.0	CSM6	\$4.78		
		4	7.2	CSM7	\$5.09		
		4-1/2	6.4	CSM8	\$5.54		
		5	5.6	CSM9	\$6.08		
		5-1/2	4.8	CSM10	\$6.48		
		6	4.0	CSM11	\$7.07		
		12	2.4	CSM11A	\$14.75		
		1	1/2	1	53.6	CSM12	\$3.65
				1-1/4	43.6	CSM12A	\$3.79
				1-1/2	33.6	CSM13	\$3.94
1-3/4	28.8			CSM13A	\$4.26		
2	23.2			CSM14	\$4.40		
2-1/2	20.0			CSM15	\$4.73		
3	15.2			CSM16	\$5.19		
3-1/2	12.8			CSM17	\$5.39		
4	12.0			CSM18	\$6.06		
4-1/2	10.4			CSM19	\$6.69		
5	9.6			CSM20	\$7.14		
5-1/2	8.8			CSM21	\$7.81		
6	8.0	CSM22	\$8.43				
7	7.2	CSM23	\$10.03				
8	5.6	CSM24	\$11.00				
12	4.0	CSM24A	\$16.05				
1-1/4	5/8	1-1/2	49.6	CSM36	\$5.71		
		1-3/4	42.4	CSM36A	\$5.90		
		2	35.2	CSM37	\$6.34		
		2-1/2	28.8	CSM38	\$6.75		
		3	24.0	CSM39	\$7.63		
		3-1/2	20.0	CSM40	\$8.19		
		4	17.6	CSM41	\$8.85		
		4-1/2	16.0	CSM42	\$9.80		

Hole Dia H	Rod Dia R	Free Length F	Load	Catalog Number	Price
1-1/4	5/8	5	13.6	CSM43	\$10.67
		5-1/2	12.8	CSM44	\$11.32
		6	12.0	CSM45	\$12.47
		7	10.4	CSM46	\$14.08
		8	8.8	CSM47	\$16.11
		10	7.2	CSM48	\$21.09
		12	5.6	CSM48A	\$24.45
		1-1/2	3/4	2	44.8
2-1/2	36.8			CSM50	\$7.38
3	33.6			CSM51	\$8.85
3-1/2	26.4			CSM52	\$9.96
4	21.6			CSM53	\$11.27
4-1/2	20.8			CSM54	\$11.76
5	20.0			CSM55	\$13.85
5-1/2	16.8			CSM55A	\$15.09
6	14.4			CSM56	\$16.38
7	13.6			CSM56A	\$18.55
8	12.8			CSM57	\$21.66
10	8.8			CSM58	\$27.79
12	8.0	CSM58A	\$34.39		
2	1	2-1/2	89.6	CSM70	\$14.67
		3	76.8	CSM71	\$15.95
		3-1/2	64.8	CSM72	\$17.42
		4	55.2	CSM73	\$18.99
		4-1/2	47.2	CSM74	\$21.28
		5	41.6	CSM75	\$22.85
		5-1/2	39.2	CSM76	\$25.16
		6	35.2	CSM77	\$27.77
		7	31.2	CSM79	\$31.26
		8	25.6	CSM80	\$35.58
		10	20.8	CSM82	\$45.92
		12	16.8	CSM83	\$57.48

Prices subject to change without notice

- Maximum deflection is 37% of free length
- Raymond® chrome vanadium die springs (6150)
- Efficient operating range: 20% to 25% of free length



Hole Dia	Rod Dia	Free Length	Load	Catalog Number	Price
H	R	F			
3/8	3/16	1	9.0	CMH100	\$1.72
		1-1/4	7.3	CMH100A	\$1.82
		1-1/2	6.7	CMH101	\$2.10
		1-3/4	5.8	CMH101A	\$2.25
		2	5.0	CMH102	\$2.58
		2-1/2	4.2	CMH103	\$2.79
		3	3.0	CMH104	\$3.05
		12	0.9	CMH105	\$12.38
1/2	9/32	1	16.8	CMH110	\$1.89
		1-1/4	13.9	CMH110A	\$2.14
		1-1/2	12.0	CMH111	\$2.30
		1-3/4	10.4	CMH111A	\$2.49
		2	8.7	CMH112	\$2.79
		2-1/2	6.8	CMH113	\$2.95
		3	5.7	CMH114	\$3.39
		3-1/2	4.7	CMH115	\$3.73
5/8	11/32	1	27.7	CMH120	\$2.30
		1-1/4	20.8	CMH120A	\$2.47
		1-1/2	19.0	CMH121	\$2.67
		1-3/4	16.8	CMH121A	\$2.88
		2	14.8	CMH122	\$3.12
		2-1/2	11.5	CMH123	\$3.41
		3	10.0	CMH124	\$3.68
		3-1/2	8.5	CMH125	\$4.04
		4	7.6	CMH126	\$4.46
		12	2.7	CMH127	\$14.88
3/4	3/8	1	57.6	CMH1	\$3.39
		1-1/4	44.8	CMH1A	\$3.50
		1-1/2	32.0	CMH2	\$3.68
		1-3/4	28.8	CMH2A	\$3.94
		2	24.8	CMH3	\$4.25

Hole Dia	Rod Dia	Free Length	Load	Catalog Number	Price		
H	R	F					
3/4	3/8	2-1/2	19.2	CMH4	\$4.56		
		3	14.4	CMH5	\$5.05		
		3-1/2	12.8	CMH6	\$5.34		
		4	12.0	CMH7	\$6.04		
		4-1/2	11.2	CMH8	\$6.76		
		5	10.4	CMH9	\$7.20		
		5-1/2	9.6	CMH10	\$7.85		
		6	8.0	CMH11	\$8.37		
		12	3.6	CMH11A	\$17.33		
		1	1/2	1	72.0	CMH12	\$4.19
				1-1/4	62.4	CMH12A	\$4.43
1-1/2	49.6			CMH13	\$4.64		
1-3/4	44.0			CMH13A	\$5.03		
2	36.8			CMH14	\$5.28		
2-1/2	28.8			CMH15	\$5.78		
3	23.2			CMH16	\$6.16		
3-1/2	21.6			CMH17	\$6.76		
4	18.4			CMH18	\$7.35		
4-1/2	15.2			CMH19	\$7.96		
5	14.4			CMH20	\$9.07		
5-1/2	12.8			CMH21	\$9.62		
6	11.2			CMH22	\$10.44		
7	9.6			CMH23	\$12.29		
8	8.8			CMH24	\$14.28		
1-1/4	5/8	12	5.6	CMH24A	\$20.84		
		1-1/2	114.4	CMH36	\$6.45		
		1-3/4	100.8	CMH36A	\$6.76		
		2	86.4	CMH37	\$7.06		
		2-1/2	62.4	CMH38	\$7.57		
		3	51.2	CMH39	\$8.56		
		3-1/2	44.0	CMH40	\$9.17		
		4	36.8	CMH41	\$9.90		
		4-1/2	32.0	CMH42	\$11.05		

Hole Dia	Rod Dia	Free Length	Load	Catalog Number	Price
H	R	F			
1-1/4	5/8	5	27.2	CMH43	\$12.10
		5-1/2	26.4	CMH44	\$13.39
		6	23.2	CMH45	\$14.90
		7	20.0	CMH46	\$17.25
		8	18.4	CMH47	\$19.90
		10	12.8	CMH48	\$26.44
		12	11.2	CMH48A	\$31.46
		1-1/2	3/4	2	108.0
2-1/2	85.6			CMH50	\$10.75
3	62.4			CMH51	\$12.54
3-1/2	52.8			CMH52	\$13.93
4	48.0			CMH53	\$15.47
4-1/2	43.2			CMH54	\$17.38
5	36.8			CMH55	\$19.07
5-1/2	34.4			CMH55A	\$20.88
6	30.4			CMH56	\$22.65
7	26.4			CMH56A	\$26.07
8	20.8			CMH57	\$29.93
10	17.6			CMH58	\$37.03
2	1	12	14.4	CMH58A	\$44.38
		2-1/2	118.4	CMH70	\$17.86
		3	96.0	CMH71	\$19.49
		3-1/2	80.0	CMH72	\$22.33
		4	66.4	CMH73	\$24.97
		4-1/2	60.0	CMH74	\$27.07
		5	56.0	CMH75	\$29.03
		5-1/2	50.4	CMH76	\$30.15
		6	47.2	CMH77	\$33.23
		7	40.0	CMH79	\$37.64
		8	35.2	CMH80	\$43.46
		10	24.0	CMH82	\$54.63
12	22.4	CMH83	\$63.84		

Prices subject to change without notice

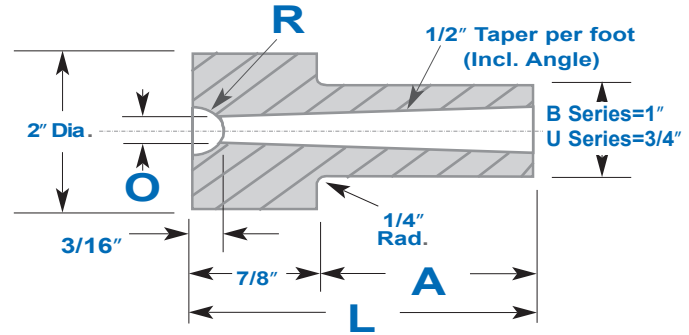
- Made from SAE 6145 Steel
- Hardened, ground & polished

Orifices Sizes

5/32" 7/32" 9/32"

Spherical Radius Sizes

1/2" and 3/4"



B SERIES - 1" DIAMETER

Orifice	Radius	Step Length	Overall Length	Catalog Number	Price
O	R	A	L		
5/32	1/2	29/32	1-25/32	CB60051	\$75.41
		1-13/32	2-9/32	CB60151	\$87.88
		1-29/32	2-25/32	CB60251	\$100.64
		2-13/32	3-9/32	CB60351	\$111.98
		2-29/32	3-25/32	CB60451	\$123.32
		3-13/32	4-9/32	CB60551	\$133.24
		3-29/32	4-25/32	CB60651	\$143.45
		4-13/32	5-9/32	CB60751	\$204.12
		4-29/32	5-25/32	CB60851	\$223.96
5/32	3/4	29/32	1-25/32	CB60053	\$75.41
		1-13/32	2-9/32	CB60153	\$87.88
		1-29/32	2-25/32	CB60253	\$100.64
		2-13/32	3-9/32	CB60353	\$111.98
		2-29/32	3-25/32	CB60453	\$123.32
		3-13/32	4-9/32	CB60553	\$133.24
		3-29/32	4-25/32	CB60653	\$143.45
		4-13/32	5-9/32	CB60753	\$204.12
		4-29/32	5-25/32	CB60853	\$223.96
7/32	1/2	29/32	1-25/32	CB60071	\$44.22
		1-13/32	2-9/32	CB60171	\$52.73
		1-29/32	2-25/32	CB60271	\$61.51
		2-13/32	3-9/32	CB60371	\$70.30
		2-29/32	3-25/32	CB60471	\$78.81
		3-13/32	4-9/32	CB60571	\$87.31
		3-29/32	4-25/32	CB60671	\$95.82
		4-13/32	5-9/32	CB60771	\$140.04
		4-29/32	5-25/32	CB60871	\$157.05
		5-29/32	6-25/32	CB60971	\$191.07
		6-29/32	7-25/32	CB61071	\$225.66

Orifice	Radius	Step Length	Overall Length	Catalog Number	Price
O	R	A	L		
7/32	3/4	29/32	1-25/32	CB60073	\$44.22
		1-13/32	2-9/32	CB60173	\$52.73
		1-29/32	2-25/32	CB60273	\$61.51
		2-13/32	3-9/32	CB60373	\$70.30
		2-29/32	3-25/32	CB60473	\$78.81
		3-13/32	4-9/32	CB60573	\$87.31
		3-29/32	4-25/32	CB60673	\$95.82
		4-13/32	5-9/32	CB60773	\$140.04
		4-29/32	5-25/32	CB60873	\$157.05
9/32	1/2	5-29/32	6-25/32	CB60973	\$191.07
		6-29/32	7-25/32	CB61073	\$225.66
		29/32	1-25/32	CB60091	\$44.22
		1-13/32	2-9/32	CB60191	\$52.73
		1-29/32	2-25/32	CB60291	\$61.51
		2-13/32	3-9/32	CB60391	\$70.30
		2-29/32	3-25/32	CB60491	\$78.81
		3-13/32	4-9/32	CB60591	\$87.31
		3-29/32	4-25/32	CB60691	\$95.82
9/32	3/4	4-13/32	5-9/32	CB60791	\$140.04
		4-29/32	5-25/32	CB60891	\$157.05
		5-29/32	6-25/32	CB60991	\$191.07
		6-29/32	7-25/32	CB61091	\$225.66
		29/32	1-25/32	CB60093	\$44.22
		1-13/32	2-9/32	CB60193	\$52.73
		1-29/32	2-25/32	CB60293	\$61.51
		2-13/32	3-9/32	CB60393	\$70.30
		2-29/32	3-25/32	CB60493	\$78.81
3-13/32	4-9/32	CB60593	\$87.31		
9/32	3/4	3-29/32	4-25/32	CB60693	\$95.82
		4-13/32	5-9/32	CB60793	\$140.04
		4-29/32	5-25/32	CB60893	\$157.05
		5-29/32	6-25/32	CB60993	\$191.07
		6-29/32	7-25/32	CB61093	\$225.66

Prices subject to change without notice

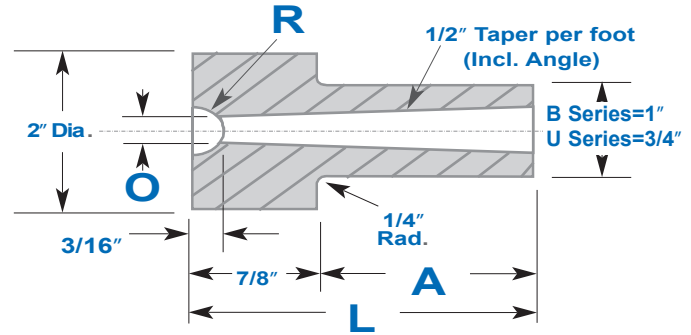
- Made from SAE 6145 Steel
- Hardened, ground & polished

Orifices Sizes

5/32" 7/32" 9/32"

Spherical Radius Sizes

1/2" and 3/4"



U SERIES - 3/4" DIAMETER

Orifice	Radius	Step Length	Overall Length	Catalog Number	Price
O	R	A	L		
5/32	1/2	29/32	1-25/32	CU60051	\$82.21
		1-13/32	2-9/32	CU60151	\$91.85
		1-29/32	2-25/32	CU60251	\$104.32
		2-13/32	3-9/32	CU60351	\$112.26
		2-29/32	3-25/32	CU60451	\$123.60
5/32	3/4	29/32	1-25/32	CU60053	\$82.21
		1-13/32	2-9/32	CU60153	\$91.85
		1-29/32	2-25/32	CU60253	\$104.32
		2-13/32	3-9/32	CU60353	\$112.26
		2-29/32	3-25/32	CU60453	\$123.60
7/32	1/2	29/32	1-25/32	CU60071	\$47.62
		1-13/32	2-9/32	CU60171	\$55.56
		1-29/32	2-25/32	CU60271	\$63.50
		2-13/32	3-9/32	CU60371	\$71.44
		2-29/32	3-25/32	CU60471	\$78.81

Orifice	Radius	Step Length	Overall Length	Catalog Number	Price
O	R	A	L		
7/32	3/4	29/32	1-25/32	CU60073	\$47.62
		1-13/32	2-9/32	CU60173	\$55.56
		1-29/32	2-25/32	CU60273	\$63.50
		2-13/32	3-9/32	CU60373	\$71.44
		2-29/32	3-25/32	CU60473	\$78.81
9/32	1/2	29/32	1-25/32	CU60091	\$47.62
		1-13/32	2-9/32	CU60191	\$55.56
		1-29/32	2-25/32	CU60291	\$63.50
		2-13/32	3-9/32	CU60391	\$71.44
		2-29/32	3-25/32	CU60491	\$78.81
9/32	3/4	29/32	1-25/32	CU60093	\$47.62
		1-13/32	2-9/32	CU60193	\$55.56
		1-29/32	2-25/32	CU60293	\$63.50
		2-13/32	3-9/32	CU60393	\$71.44
		2-29/32	3-25/32	CU60493	\$78.81

Prices subject to change without notice

- Machined edges
- Lengths up to 96"
- Ground top and bottom
- 9 thicknesses & 15 widths available
- Copper-in alloy plating in 24-28 RC with a thickness of .008 - .010

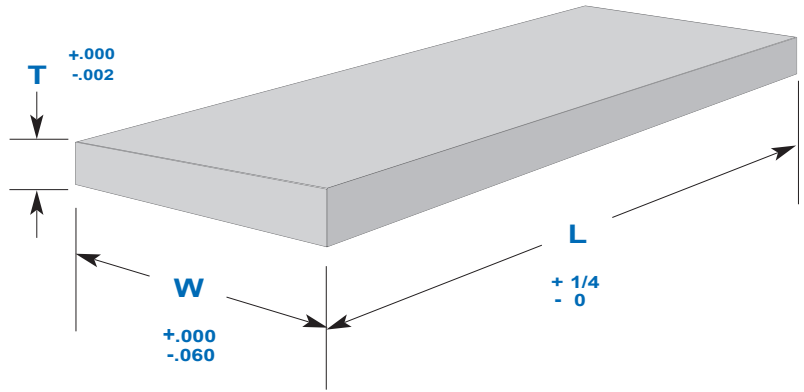
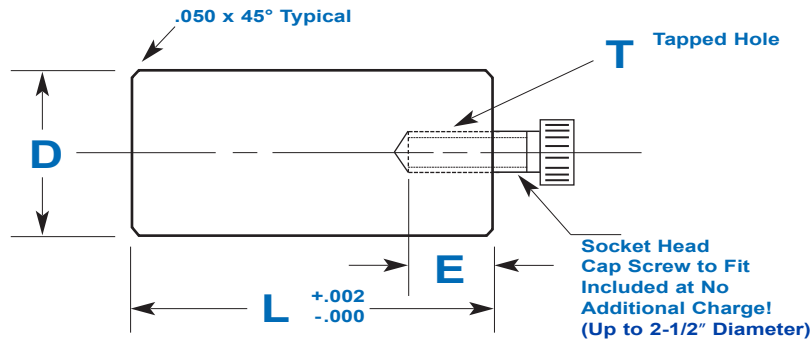


Plate Thick	Plate Width	Catalog Number	Price per Inch	Plate Thick	Plate Width	Catalog Number	Price Per Inch	Plate Thick	Plate Width	Catalog Number	Price Per Inch	Plate Thick	Plate Width	Catalog Number	Price Per Inch		
T	W			T	W			T	W			T	W				
1/8	1	FP1250100	\$2.12	1/4	4	FP2500400	\$8.79	3/8	6	FP3750600	\$12.86	5/8	12	FP6251200	\$28.35		
	1-1/4	FP1250125	\$2.73		4-1/2	FP2500450	\$9.82		8	FP3750800	\$18.24		3/4	1	FP7500100	\$2.78	
	1-1/2	FP1250150	\$3.22		5	FP2500500	\$10.73		10	FP3751000	\$23.10			1-1/4	FP7500125	\$3.73	
	1-3/4	FP1250175	\$3.78		6	FP2500600	\$12.20		12	FP3751200	\$27.06			1-1/2	FP7500150	\$4.28	
	2	FP1250200	\$4.25		8	FP2500800	\$18.06		1	FP5000100	\$2.55			1-3/4	FP7500175	\$4.86	
	2-1/2	FP1250250	\$5.30		10	FP2501000	\$22.91		1-1/4	FP5000125	\$3.13			2	FP7500200	\$5.44	
	3	FP1250300	\$6.27		12	FP2501200	\$26.91	1-1/2	FP5000150	\$3.78	2-1/2			FP7500250	\$6.98		
	3-1/2	FP1250350	\$7.32		1	FP3120100	\$2.39	1-3/4	FP5000175	\$4.28	3			FP7500300	\$8.17		
	4	FP1250400	\$8.47		1-1/4	FP3120125	\$2.97	2	FP5000200	\$4.91	3-1/2			FP7500350	\$9.52		
	4-1/2	FP1250450	\$9.43		1-1/2	FP3120150	\$3.43	2-1/2	FP5000250	\$6.06	4			FP7500400	\$10.73		
	5	FP1250500	\$10.47		1-3/4	FP3120175	\$4.07	3	FP5000300	\$7.32	4-1/2			FP7500450	\$12.20		
	6	FP1250600	\$11.42		2	FP3120200	\$4.73	3-1/2	FP5000350	\$8.68	5			FP7500500	\$13.37		
3/16	1	FP1870100	\$2.29	5/16	2-1/2	FP3120250	\$5.70	1/2	4	FP5000400	\$9.69	1		6	FP7500600	\$15.98	
	1-1/4	FP1870125	\$2.78		3	FP3120300	\$6.90		4-1/2	FP5000450	\$10.82		8	FP7500800	\$20.81		
	1-1/2	FP1870150	\$3.33		3-1/2	FP3120350	\$7.84		5	FP5000500	\$11.89		10	FP7501000	\$25.33		
	1-3/4	FP1870175	\$3.86		4	FP3120400	\$8.95		6	FP5000600	\$13.97		12	FP7501200	\$29.66		
	2	FP1870200	\$4.28		4-1/2	FP3120450	\$10.08		8	FP5000800	\$18.48		3	1	FP9990100	\$2.97	
	2-1/2	FP1870250	\$5.41		5	FP3120500	\$11.36		10	FP5001000	\$23.50			1-1/4	FP9990125	\$3.86	
	3	FP1870300	\$6.44		6	FP3120600	\$12.26		12	FP5001200	\$27.64			1-1/2	FP9990150	\$4.73	
	3-1/2	FP1870350	\$7.49		8	FP3120800	\$18.17		1	FP6250100	\$2.74			1-3/4	FP9990175	\$5.44	
	4	FP1870400	\$8.68		10	FP3121000	\$23.07		1-1/4	FP6250125	\$3.33			2	FP9990200	\$6.06	
	4-1/2	FP1870450	\$9.69		12	FP3121200	\$27.02		1-1/2	FP6250150	\$4.06			2-1/2	FP9990250	\$7.74	
	5	FP1870500	\$10.63		3/8	1	FP3750100		\$2.50	1-3/4	FP6250175			\$4.55	3	FP9990300	\$8.95
	6	FP1870600	\$11.71			1-1/4	FP3750125		\$3.10	2	FP6250200			\$5.30	3-1/2	FP9990350	\$10.53
8	FP1870800	\$17.90	1-1/2	FP3750150		\$3.73	2-1/2	FP6250250	\$6.46	4	FP9990400	\$11.89					
1/4	1	FP2500100	\$2.31	1-3/4		FP3750175	\$4.25	3	FP6250300	\$7.82	4-1/2	FP9990450		\$13.55			
	1-1/4	FP2500125	\$2.91	2		FP3750200	\$4.81	3-1/2	FP6250350	\$8.95	5	FP9990500		\$14.70			
	1-1/2	FP2500150	\$3.39	2-1/2		FP3750250	\$5.93	4	FP6250400	\$10.45	6	FP9990600		\$17.61			
	1-3/4	FP2500175	\$4.06	3		FP3750300	\$6.98	4-1/2	FP6250450	\$11.62	8	FP9990800	\$22.29				
	2	FP2500200	\$4.55	3-1/2		FP3750350	\$7.90	5	FP6250500	\$12.68	10	FP9991000	\$27.86				
	2-1/2	FP2500250	\$5.44	4		FP3750400	\$8.96	6	FP6250600	\$15.10	12	FP9991200	\$32.79				
	3	FP2500300	\$6.62	4-1/2		FP3750450	\$10.45	8	FP6250800	\$19.67							
	3-1/2	FP2500350	\$7.74	5		FP3750500	\$11.42	10	FP6251000	\$24.65							

Prices subject to change without notice

- Diameter is ground
- Manufactured from 12L40 Steel
- Pillar length is finish ground flat and parallel - both sides
- SHCS supplied at no additional charge (with 1" to 2-1/2" support pillars only)



Diameter	Thread Size	Thread Depth	Overall Length	Catalog Number	Price
D	T	E	L		
1	3/8-16	5/8	2.500	CSP1025	\$8.00
			3.000	CSP1030	\$8.20
			3.500	CSP1035	\$8.50
			4.000	CSP1040	\$8.60
			4.500	CSP1045	\$8.90
1-1/4	3/8-16	5/8	2.500	CSP1225	\$8.60
			3.000	CSP1230	\$8.90
			3.500	CSP1235	\$9.30
			4.000	CSP1240	\$9.70
			4.500	CSP1245	\$10.00
			5.000	CSP1250	\$10.30
1-1/2	3/8-16	5/8	2.500	CSP1525	\$9.50
			3.000	CSP1530	\$9.90
			3.500	CSP1535	\$10.50
			4.000	CSP1540	\$11.00
			4.500	CSP1545	\$11.60
			5.000	CSP1550	\$12.00
			6.000	CSP1560	\$13.10
1-3/4	3/8-16	5/8	2.500	CSP1725	\$9.50
			3.000	CSP1730	\$10.00
			3.500	CSP1735	\$10.60

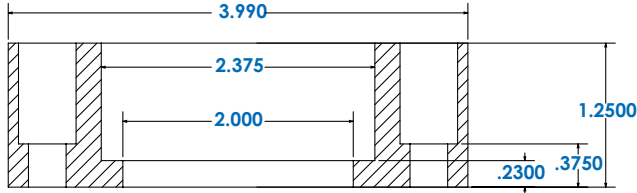
Diameter	Thread Size	Thread Depth	Overall Length	Catalog Number	Price
D	T	E	L		
1-3/4	3/8-16	5/8	4.000	CSP1740	\$11.00
			4.500	CSP1745	\$11.70
			5.000	CSP1750	\$12.10
			6.000	CSP1760	\$13.30
2	3/8-16	5/8	2.500	CSP2025	\$11.50
			3.000	CSP2030	\$12.30
			3.500	CSP2035	\$13.40
			4.000	CSP2040	\$14.50
			4.500	CSP2045	\$15.40
			5.000	CSP2050	\$16.40
2-1/2	3/8-16	5/8	6.000	CSP2060	\$18.20
			3.000	CSP2530	\$14.20
			3.500	CSP2535	\$15.40
			4.000	CSP2540	\$16.70
			4.500	CSP2545	\$17.70
			5.000	CSP2550	\$18.80
3	5/8-11	1-1/4	6.000	CSP2560	\$20.80
			4.000	CSP3040	\$26.70
			4.500	CSP3045	\$30.70
			5.000	CSP3050	\$35.50
			6.000	CSP3060	\$39.40
			8.000	CSP3080	\$48.40

Prices subject to change without notice

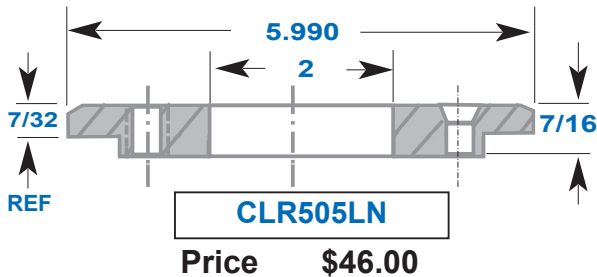
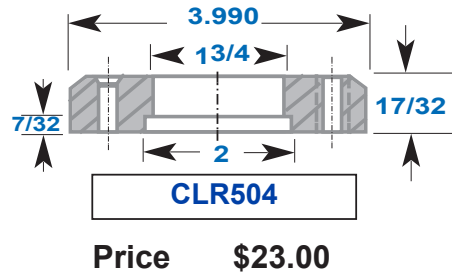
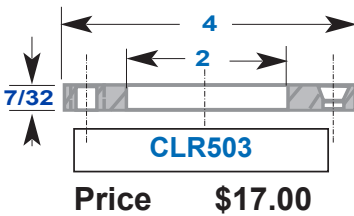
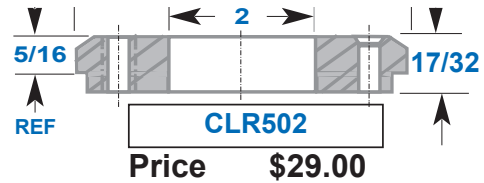
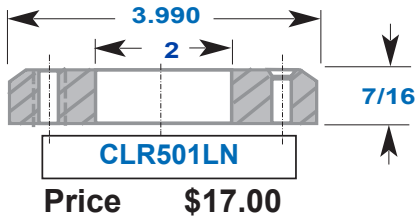
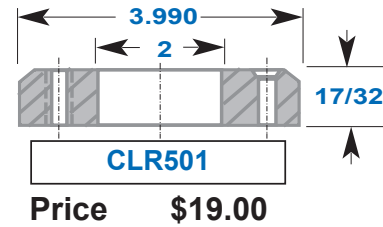
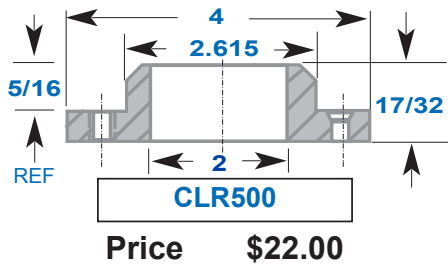
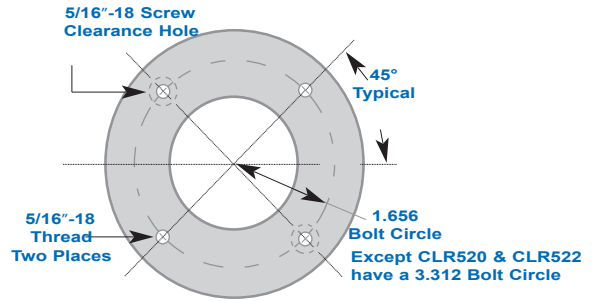
- Manufacturing from 12L14 Material
- Surface treated for corrosion resistance

Hot Runner Locating Rings

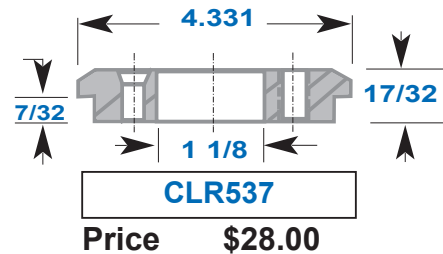
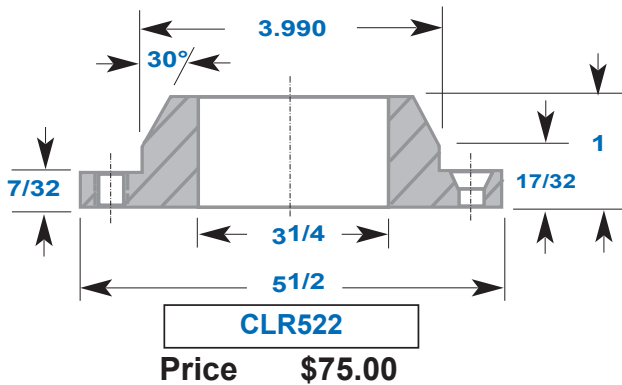
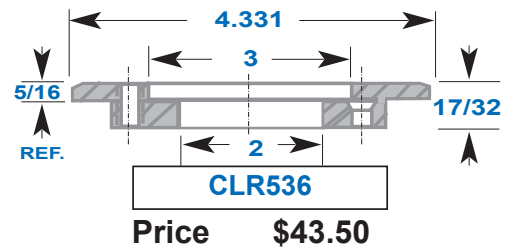
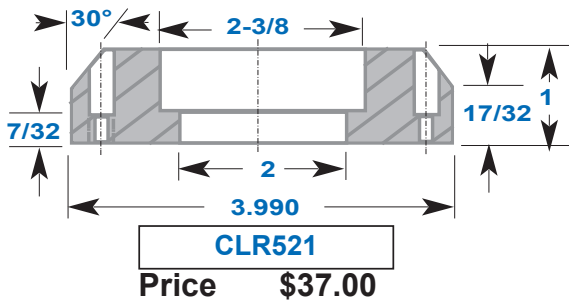
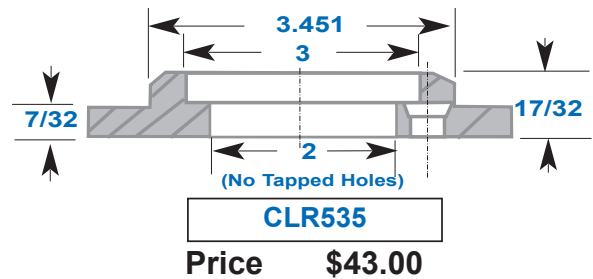
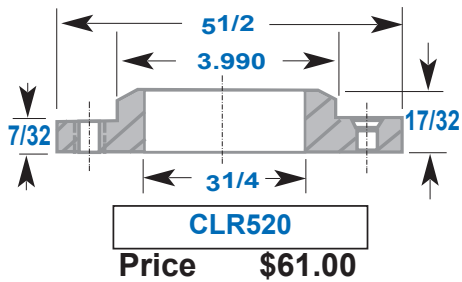
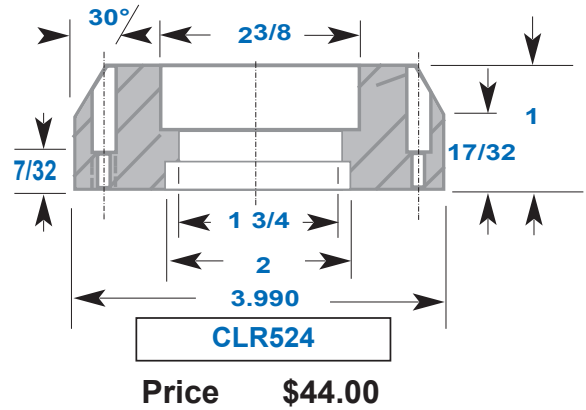
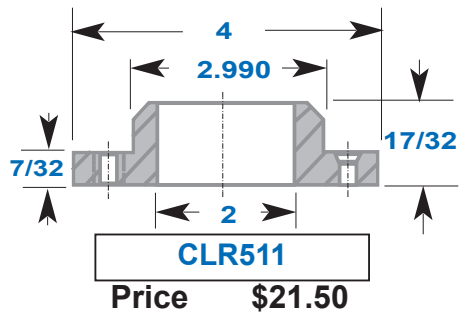
- Locating Rings for your Hot Runner Tools that use 1/4" or 1/2" insulating sheets (not included)



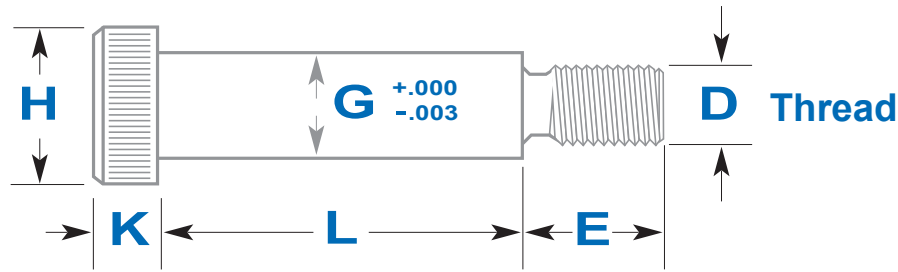
CLR521HR
Price \$39.50



Prices subject to change without notice



Prices subject to change without notice



- 1" to 7" lengths
- 1/4" to 3/4" diameters
- Made from high-grade alloy steel
- Heat treated to 36 RC minimum for greater strength

Shoulder Diameter	Thread	Thread Length	Head Diameter	Head Height	Hex Hole Across Flats
G	D	E	H	K	
1/4	#10-24	3/8	3/8	3/16	1/8
5/16	1/4-20	7/16	7/16	7/32	5/32
3/8	5/16-18	1/2	9/16	1/4	3/16
1/2	3/8-16	5/8	3/4	5/16	1/4
5/8	1/2-13	3/4	7/8	3/8	5/16
3/4	5/8-11	7/8	1	1/2	3/8

Dia.	Shoulder Length	Catalog Number	Price
G	L		
1/4	1	SB25100	\$0.85
	1-1/4	SB25125	\$0.90
	1-1/2	SB25150	\$0.95
5/16	1	SB31100	\$1.00
	1-1/4	SB31125	\$1.05
	1-1/2	SB31150	\$1.10
	1-3/4	SB31175	\$1.20
3/8	2	SB31200	\$1.20
	1	SB38100	\$1.05
	1-1/4	SB38125	\$1.20
	1-1/2	SB38150	\$1.20
	1-3/4	SB38175	\$1.25
	2	SB38200	\$1.35
	2-1/4	SB38225	\$1.40
	2-1/2	SB38250	\$1.55
	2-3/4	SB38275	\$1.70
	3	SB38300	\$1.80
1/2	3-1/4	SB38325	\$1.85
	3-1/2	SB38350	\$2.00
	3-3/4	SB38375	\$3.25
	4	SB38400	\$2.35
	1	SB50100	\$1.70
	1-1/2	SB50150	\$1.80

Dia.	Shoulder Length	Catalog Number	Price
G	L		
1/2	1-3/4	SB50175	\$1.90
	2	SB50200	\$1.95
	2-1/4	SB50225	\$2.15
	2-1/2	SB50250	\$2.20
	2-3/4	SB50275	\$2.45
	3	SB50300	\$2.65
	3-1/4	SB50325	\$2.75
	3-1/2	SB50350	\$2.90
	3-3/4	SB50375	\$3.68
	4	SB50400	\$3.20
	4-1/4	SB50425	\$3.83
	4-1/2	SB50450	\$3.95
	4-3/4	SB50475	\$4.05
	5	SB50500	\$4.48
5/8	1-1/4	SB63125	\$2.75
	1-1/2	SB63150	\$2.90
	1-3/4	SB63175	\$3.00
	2	SB63200	\$3.10
	2-1/4	SB63225	\$3.35
	2-1/2	SB63250	\$3.65
	2-3/4	SB63275	\$4.20
	3	SB63300	\$4.20
	3-1/4	SB63325	\$4.75
	3-1/2	SB63350	\$5.45
	3-3/4	SB63375	\$6.00

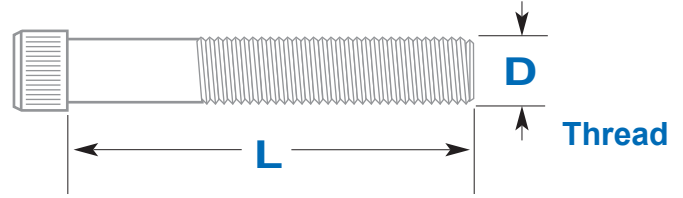
Dia.	Shoulder Length	Catalog Number	Price
G	L		
5/8	4	SB63400	\$6.20
	4-1/4	SB63425	\$7.05
	4-1/2	SB63450	\$7.10
	4-3/4	SB63475	\$17.75
	5	SB63500	\$11.25
	5-1/2	SB63550	\$11.25
	6	SB63600	\$13.50
3/4	1-1/2	SB75150	\$4.85
	1-3/4	SB75175	\$4.90
	2	SB75200	\$5.05
	2-1/4	SB75225	\$5.25
	2-1/2	SB75250	\$5.40
	2-3/4	SB75275	\$5.65
	3	SB75300	\$6.00
	3-1/4	SB75325	\$7.15
	3-1/2	SB75350	\$7.30
	3-3/4	SB75375	\$10.00
	4	SB75400	\$7.80
	4-1/4	SB75425	\$12.00
	4-1/2	SB75450	\$8.65
	4-3/4	SB75475	\$29.49
5	SB75500	\$13.50	
5-1/2	SB75550	\$13.80	
6	SB75600	\$15.55	
7	SB75700	\$18.80	

Prices subject to change without notice



SOCKET HEAD CAP SCREWS

- High grade alloy steel
- Heat treated to 38-45 RC
- Tensile strength of 180,000 psi minimum



Dia.	Length Under Head	Catalog Number	Price	Dia.	Length Under Head	Catalog Number	Price	Dia.	Length Under Head	Catalog Number	Price	Dia.	Length Under Head	Catalog Number	Price	
D	L			D	L			D	L			D	L			
#6-32	1/4	SH63225	\$0.10	1/4-20	2-3/4	SH2520275	\$0.40	1/2-13	5/8	SH501363	call	5/8-11	4-1/2	SH6311450	\$1.77	
	3/8	SH63238	\$0.10		3	SH2520300	\$0.45		3/4	SH501375	\$0.60		5	SH6311500	\$1.97	
	1/2	SH63250	\$0.10		3/8	SH311838	\$0.25		7/8	SH501388	\$0.55		5-1/2	SH6311550	\$4.00	
	5/8	SH63263	\$0.10		1/2	SH311850	\$0.20		1	SH5013100	\$0.65		6	SH6311600	\$2.59	
	3/4	SH63275	\$0.10		5/8	SH311863	\$0.20		1-1/4	SH5013125	\$0.70		6-1/2	SH6311650	\$3.49	
	7/8	SH63288	\$0.15		3/4	SH311875	\$0.20		1-1/2	SH5013150	\$0.80		7	SH6311700	\$3.90	
	1	SH632100	\$0.15		7/8	SH311888	\$0.20		1-3/4	SH5013175	\$0.85		7-1/2	SH6311750	call	
#8-32	1/4	SH832025	\$0.10	5/16-18	1	SH3118100	\$0.25		2	SH5013200	\$0.90		8	SH6311800	call	
	3/8	SH832038	\$0.10		1-1/4	SH3118125	\$0.30		2-1/4	SH5013225	\$1.05		10	SH63111000	call	
	1/2	SH832050	\$0.10		1-1/2	SH3118150	\$0.30		2-1/2	SH5013250	\$1.10		12	SH63111200	call	
	5/8	SH832063	\$0.10		1-3/4	SH3118175	\$0.35		2-3/4	SH5013275	\$1.20		3/4-10	2	SH7510200	\$1.35
	3/4	SH832075	\$0.10		2	SH3118200	\$0.35		3	SH5013300	\$1.30			2-1/4	SH7510225	\$1.41
	7/8	SH832088	\$0.10		2-1/4	SH3118225	\$0.40		3-1/4	SH5013325	\$1.35	2-1/2		SH7510250	\$1.52	
	1	SH832100	\$0.15		2-1/2	SH3118250	\$0.45		3-1/2	SH5013350	\$1.55	2-3/4		SH7510275	\$1.65	
	1-1/4	SH832125	\$0.15		2-3/4	SH3118275	\$0.50	4	SH5013400	\$1.75	3	SH7510300		\$1.80		
	1-1/2	SH832150	\$0.15		3	SH3118300	\$0.55	4-1/2	SH5013450	\$2.15	3-1/4	SH7510325		\$2.05		
#10-24	3/8	SH102438	\$0.10		3-1/4	SH3118325	\$0.65	5	SH5013500	\$2.40	3-1/2	SH7510350		\$2.11		
	1/2	SH102450	\$0.10		3-1/2	SH3118350	\$0.75	5-1/2	SH5013550	\$2.60	4	SH7510400		\$2.31		
	5/8	SH102463	\$0.10		1/2	SH381650	\$0.40	5-3/4	SH5013575	call	4-1/2	SH7510450		\$2.68		
	3/4	SH102475	\$0.10		5/8	SH381663	\$0.35	6	SH5013600	\$3.00	5	SH7510500		\$3.22		
	7/8	SH102488	\$0.15		3/4	SH381675	\$0.30	6-1/2	SH5013650	\$4.20	5-1/2	SH7510550		\$3.39		
	1	SH1024100	\$0.15	7/8	SH381688	\$0.35	7	SH5013700	\$4.75	6	SH7510600	\$3.47				
	1-1/4	SH1024125	\$0.15	1	SH3816100	\$0.35	8	SH5013800	\$5.70	6-1/2	SH7510650	\$4.45				
	1-1/2	SH1024150	\$0.20	1-1/4	SH3816125	\$0.35	9	SH5013900	call	7	SH7510700	\$4.83				
	1-3/4	SH1024175	\$0.20	1-1/2	SH3816150	\$0.40	10	SH50131000	call	8	SH7510800	\$5.61				
	2	SH1024200	\$0.25	1-3/4	SH3816175	\$0.45	12	SH50131200	call	10	SH75101000	call				
1/4-20	3/8	SH252038	\$0.15	3/8-16	2	SH3816200	\$0.50	5/8-11	1	SH6311100	\$1.25	1-8	2	SH1008200	\$2.67	
	1/2	SH252050	\$0.15		2-1/4	SH3816225	\$0.55		1-1/4	SH6311125	\$1.33		2-1/2	SH1008250	\$3.05	
	5/8	SH252063	\$0.15		2-1/2	SH3816250	\$0.65		1-1/2	SH6311150	\$1.35		3	SH1008300	\$3.55	
	3/4	SH252075	\$0.15		2-3/4	SH3816275	\$0.70		1-3/4	SH6311175	\$1.45		3-1/2	SH1008350	\$4.15	
	7/8	SH252088	\$0.15		3	SH3816300	\$0.75		2	SH6311200	\$1.60		4	SH1008400	\$4.31	
	1	SH2520100	\$0.15		3-1/4	SH3816325	\$0.90		2-1/4	SH6311225	\$1.70		5	SH1008500	\$5.15	
	1-1/4	SH2520125	\$0.15		3-1/2	SH3816350	\$1.00		2-1/2	SH6311250	\$1.85		5-1/2	SH1008550	\$5.57	
	1-1/2	SH2520150	\$0.20		4	SH3816400	\$1.15		2-3/4	SH6311275	\$1.26		6	SH1008600	\$6.26	
	1-3/4	SH2520175	\$0.20		4-1/2	SH3816450	\$1.35		3	SH6311300	\$1.30		6-1/2	SH1008650	\$7.03	
	2	SH2520200	\$0.25		5	SH3816500	\$1.60		3-1/4	SH6311325	\$1.46		7	SH1008700	\$7.32	
	2-1/4	SH2520225	\$0.30		6	SH3816600	call		3-1/2	SH6311350	\$2.45		8	SH1008800	\$8.46	
	2-1/2	SH2520250	\$0.35		1/2-13	1/2	SH501350		call	4	SH6311400		\$1.62			

Prices subject to change without notice



Phone: 800-425-3171

world@choicemold.com

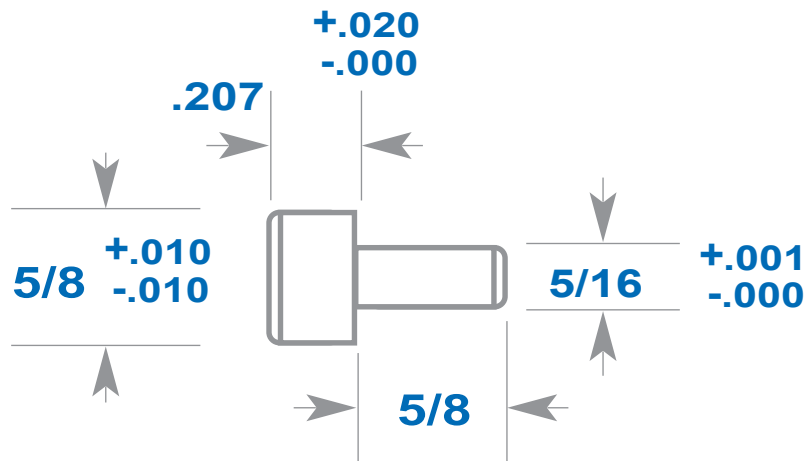
Fax: 800-425-3177

F10

- Diameter is +.001 to press fit
- Head thickness has sufficient grind stock

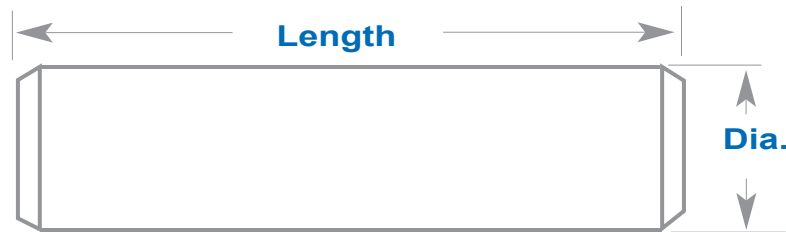
Catalog Number - STP312

Price \$0.80 each



Prices subject to change without notice

- Precision grain flow resists chipping
- Surface finish is six micro-inch maximum
- Chamfered end provides easier insertion in hole
- Heat treated for greater strength & surface hardness



Diameter	Length	Catalog Number	Price
1/8	3/8	DP1338	\$0.18
	1/2	DP1350	\$0.18
	3/4	DP1375	\$0.23
	1	DP13100	\$0.23
	2	DP13200	\$0.28
3/16	1/2	DP1950	\$0.23
	3/4	DP1975	\$0.23
	1	DP19100	\$0.23
	1-1/2	DP19150	\$0.28
	2	DP19200	\$0.33
1/4	1/2	DP2550	\$0.23
	3/4	DP2575	\$0.23
	1	DP25100	\$0.28
	1-1/4	DP25125	\$0.28
	1-1/2	DP25150	\$0.28
	2	DP25200	\$0.38
	2-1/2	DP25250	\$0.43

Diameter	Length	Catalog Number	Price
5/16	1	DP31100	\$0.28
	1-1/4	DP31125	\$0.33
	1-1/2	DP31150	\$0.33
	2	DP31200	\$0.43
3/8	3/4	DP3875	\$0.33
	1	DP38100	\$0.33
	1-1/4	DP38125	\$0.38
	1-1/2	DP38150	\$0.43
	2	DP38200	\$0.48
	2-1/2	DP38250	\$0.63
1/2	3/4	DP5075	\$0.58
	1	DP50100	\$0.63
	1-1/4	DP50125	\$0.68
	1-1/2	DP50150	\$0.73
	2	DP50200	\$0.83
	2-1/2	DP50250	\$1.03

Diameter	Length	Catalog Number	Price
1/2	3	DP50300	\$1.28
	4	DP50400	\$1.73
5/8	1-1/2	DP63150	\$1.03
	2	DP63200	\$1.33
	2-1/2	DP63250	\$1.53
	3	DP63300	\$1.83
	4	DP63400	\$2.60
3/4	5	DP63500	\$4.30
	2	DP75200	\$2.03
	2-1/2	DP75250	\$2.43
	3	DP75300	\$2.83
	4	DP75400	\$3.83
1	5	DP75500	\$5.28
	2	DP100200	\$5.58
	3	DP100300	\$7.53
	4	DP100400	\$9.68
	5	DP100500	\$13.08

Prices subject to change without notice

- Hardened & Precision Ground
- Made from High Grade Alloy Steel
- Tubular Dowels allow more room for waterlines by allowing the cap screw to pass through the dowel pin



OD	ID	Length	Catalog Number	Price
3/8	.2600	3/8	TD3838	\$1.76
		7/8	TD3888	\$1.82
5/8	.3850	1/2	TD6350	\$2.12
		1-3/8	TD63138	\$2.46
		1-7/8	TD63188	\$2.50
		2-3/8	TD63238	\$2.70
3/4	.5100	3/8	TD7538	\$2.18
		1/2	TD7550	\$2.25
		1-3/8	TD75138	\$2.57
		1-7/8	TD75188	\$2.70
		2-3/8	TD75238	\$3.02
		2-7/8	TD75288	\$3.09
7/8	.6350	1/2	TD8850	\$2.44
		2-3/8	TD88238	\$3.22
		2-7/8	TD88288	\$3.28

Prices subject to change without notice

- Cast Metal for Strength & Durability
- Yellow Powder Coated Finish for High Visibility & Corrosion Resistance
- Safely holds your mold closed during transfer, storage, installation and removal from machines

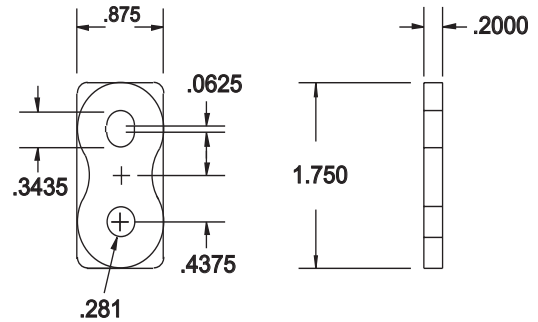
Small - Fits Molds 5 to 110 Ton

Part Number - CSS250

Sold 2 to a pack

\$5.40 (pack of 2 straps)

Includes 1/4" dia x 5/8" long screws
Also fits 6 mm screw



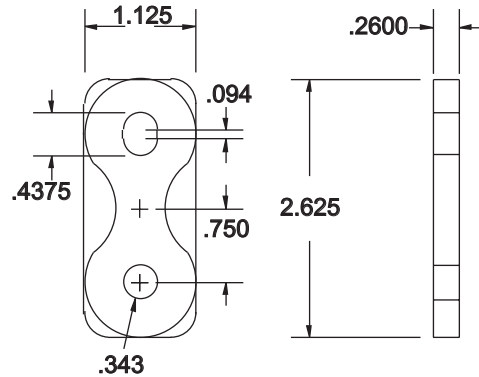
Medium - Fits Molds 75 to 220 Ton

Part Number - CSS312

Sold 2 to a pack

\$6.40 (pack of 2 straps)

Includes 5/16" dia x 3/4" long screws
Also fits 8 mm screw



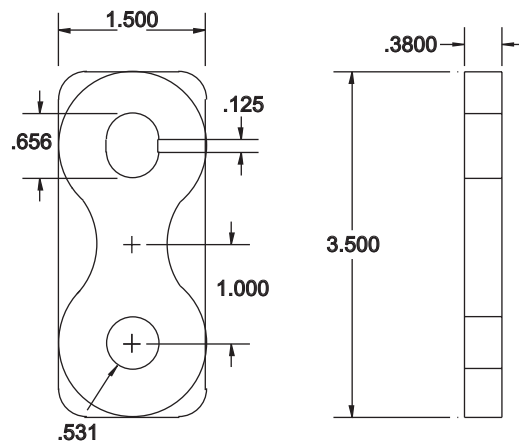
Large - Fits Molds 180 to 500 Ton

Part Number - CSS500

Sold 2 to a pack

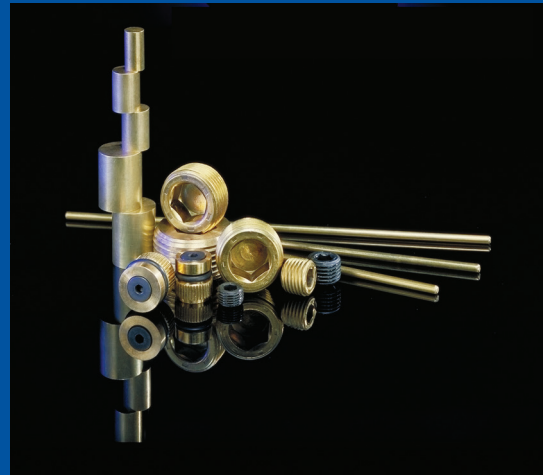
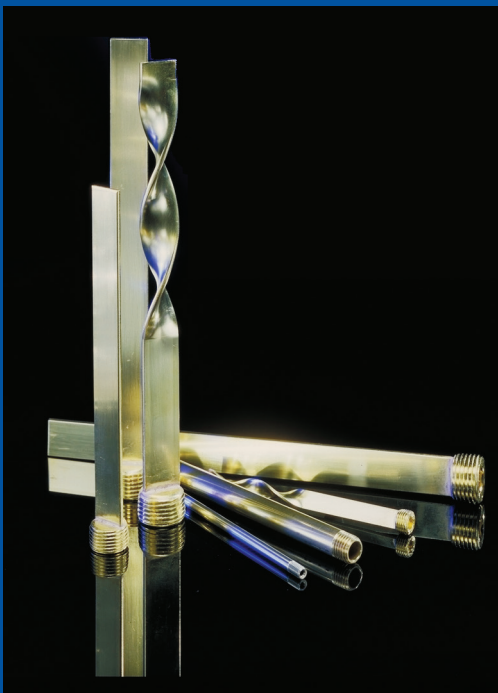
\$12.60 (pack of 2 straps)

Includes 1/2" dia x 1" long screws
Also fits 12 mm screw

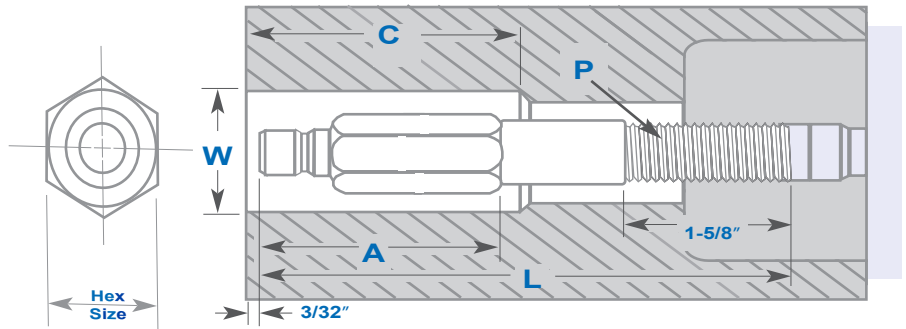




Brass Extension Fittings	G1
Water Connector - Male	G2
Water Connector - Female	G3
Water Baffles - Straight	G4
Water Baffles - Turbo	G5
Pressure Plugs - Steel	G6
Pressure Plugs - Brass	G7
Threadless Brass Plugs	G8
Replacement O'Rings	G9
Bubbler Tubes - Stainless	G10
Bubbler Tubes - Brass	G11
Cascade Water Junctions	G12
Cascade Heads	G13
Water Line Diverting Plug	G14
Water Line Spacer Rod	G15

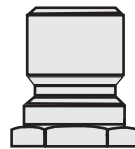


- Easy length adjustments
- Tapered thread provides an excellent leak-free seal
- One Piece Brass Alloy construction for easy removal & assembly



200 SERIES (1/4" HOLE)

Thread Size	Hex Size	C'Bore Dia	C'Bore Depth	Head Length	Overall Length	Catalog Number	Price
T	H	W	C	A	L		
1/16	.375	.750	1.000	0.69	2.5	BEF250025	\$3.99
				1.00	4.0	BEF250040	\$4.10
1/8	.438	.875	1.250	0.69	2.5	BEF251025	\$2.94
				1.00	4.0	BEF251040	\$3.05
				1.00	5.5	BEF251055	\$4.41
				1.00	7.0	BEF251070	\$5.25
				1.00	8.5	BEF251085	\$6.20
				1.00	10.0	BEF251100	\$7.35
1/4	.563	.875	1.500	0.88	2.5	BEF252025	\$3.26
				1.25	4.0	BEF252040	\$3.36
				1.25	5.5	BEF252055	\$4.41
				1.25	7.0	BEF252070	\$5.57
				1.25	8.5	BEF252085	\$7.98
				1.25	10.0	BEF252100	\$8.61



300 SERIES (3/8" HOLE)

Thread Size	Hex Size	C'Bore Dia	C'Bore Depth	Head Length	Overall Length	Catalog Number	Price
P	H	W	C	A	L		
1/16	.563	N/A	N/A	.88	2.5	BEF350025	\$3.68
				1.00	4.0	BEF350040	\$4.20
				1.00	5.5	BEF350055	\$6.09
1/8	.563	1.000	1.250	.88	2.5	BEF351025	\$3.15
				1.00	4.0	BEF351040	\$3.15
				1.00	5.5	BEF351055	\$4.73
				1.00	7.0	BEF351070	\$5.25
				.88	2.5	BEF352025	\$4.20
				1.25	4.0	BEF352040	\$3.57
1/4	.563	1.000	1.500	1.25	5.5	BEF352055	\$4.41
				1.25	7.0	BEF352070	\$5.25
				1.25	8.5	BEF352085	\$7.04
				1.25	10.0	BEF352100	\$8.40
				1.25	11.5	BEF352115	\$8.93
				1.00	2.5	BEF353025	\$4.46
3/8	.688	1.125	1.500	1.25	4.0	BEF353040	\$4.73
				1.25	5.5	BEF353055	\$5.57
				1.25	7.0	BEF353070	\$6.62
				1.25	7.0	BEF353070	\$6.62



500 SERIES (1/2" HOLE)

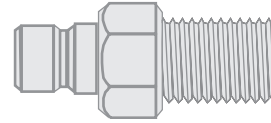
Thread Size	Hex Size	C'Bore Dia	C'Bore Depth	Head Length	Overall Length	Catalog Number	Price
P	H	W	C	A	L		
3/8	.813	1.375	1.625	1.13	2.5	BEF553025	\$4.46
				1.38	4.0	BEF553040	\$5.09
				1.38	5.5	BEF553055	\$6.14
				1.38	7.0	BEF553070	\$7.88

PIPE SIZE CHART

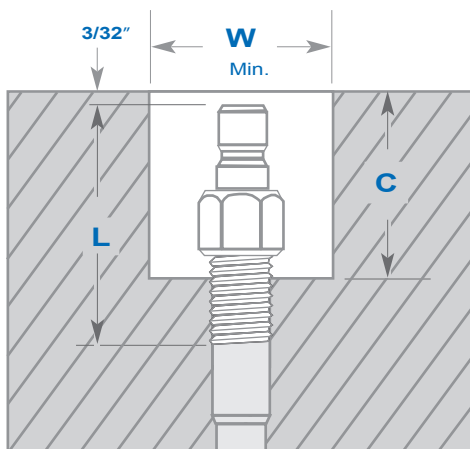
Pipe Size	O.D. Of Pipe	I.D. Of Pipe	Tap Drill Size		Minimum Tap Drill Length	Normal Thread Engage for Tight Joint
			Without Ream	With Ream		
1/16-27	.312	.209	1/4	15/64	9/16	.271
1/8-27	.405	.269	11/32	21/64	5/8	.273
1/4-18	.540	.364	7/16	27/64	13/16	.394
3/8-18	.675	.493	37/64	9/16	7/8	.407

Prices subject to change without notice

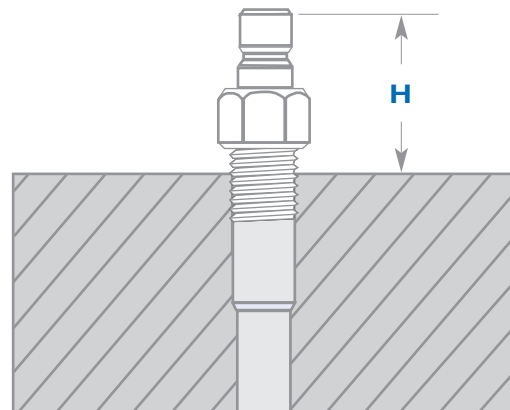
- Male water connectors have a one piece brass construction for easy removal and assembly
- Male may be mounted externally or flush
- Provide and excellent leak-free seal



Overall Length	Hole Dia	C'Bore Depth	C'Bore Dia	External Height	Pipe NPT	Hex Size	Catalog Number	Price
L	O	C	W	H	E	X		
.94	3/16	.763	.588	.670	1/16	3/8	WCM250	\$1.25
1.00	1/4	.763	.688	.670	1/8	7/16	WCM251	\$0.65
1.19	1/4	.968	.798	.875	1/4	9/16	WCM252	\$0.70
1.25	1/4	1.000	.953	.906	3/8	11/16	WCM253	\$1.00
1.19	1/4	1.000	.798	.906	1/8	9/16	WCM351	\$1.00
1.44	3/8	1.120	.798	1.030	1/4	9/16	WCM352	\$0.80
1.44	3/8	1.150	.953	1.060	3/8	11/16	WCM353	\$0.90
1.68	3/8	1.280	1.200	1.190	1/2	7/8	WCM354	\$1.65
1.63	3/8	1.340	1.110	1.250	1/4	13/16	WCM552	\$2.35
1.63	1/2	1.340	1.110	1.250	3/8	13/16	WCM553	\$2.50
1.81	5/8	1.300	1.200	1.350	1/2	7/8	WCM554	\$2.35
1.88	5/8	1.360	1.500	1.300	3/4	1-1/8	WCM556	\$3.50



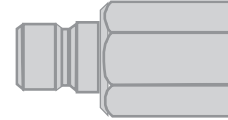
Flush Mounted



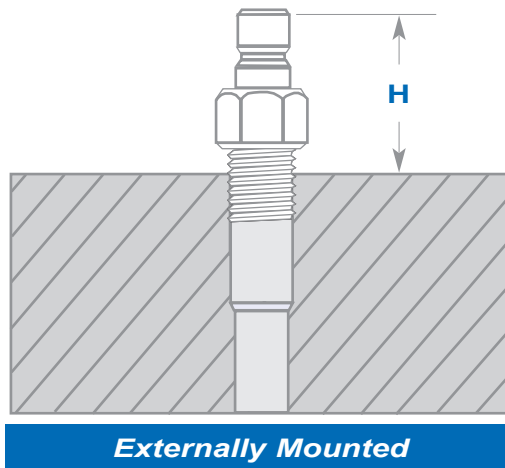
Externally Mounted

Prices subject to change without notice

- Female water connectors are zinc plated steel and can be attached to any length pipe nipples
- Provide an excellent leak-free seal

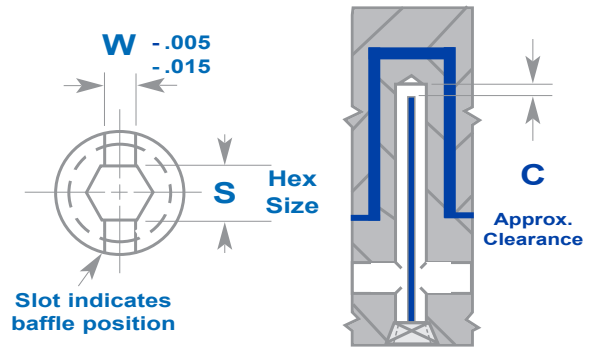


Overall Length	Hole Dia	Pipe NPT	Hex Size	Catalog Number	Price
L	O	E	X		
.75	1/4	1/16	3/8	WCF250	\$1.15
1.00	1/4	1/8	1/2	WCF251	\$0.90
1.30	1/4	1/4	5/8	WCF252	\$1.00
1.40	1/4	3/8	3/4	WCF253	\$1.40
1.00	3/8	1/8	9/16	WCF351	\$1.10
1.35	3/8	1/4	5/8	WCF352	\$1.00
1.40	3/8	3/8	3/4	WCF353	\$1.50
1.50	3/8	1/2	1	WCF354	\$2.40
1.25	9/16	1/4	13/16	WCF553	\$2.75
1.93	9/16	1/2	1	WCF554	\$2.90
1.88	9/16	3/4	1-1/4	WCF556	\$4.40



Prices subject to change without notice

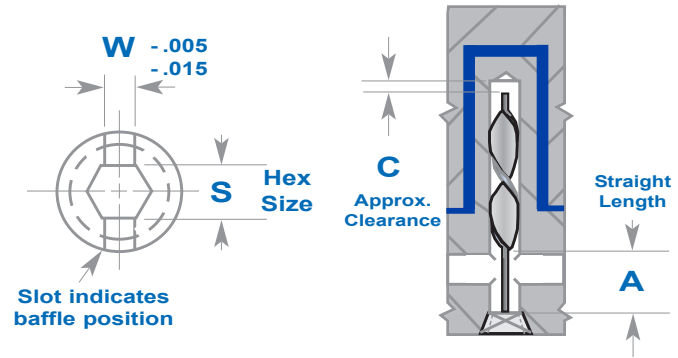
- Orientation slot provided
- A leak-free seal, up to 600 psi
- Exact tolerances for improved flow performance
- Dependable brazed SOLID BRASS construction



Plug NPT	Hex Size	Length	Baffle Thick	Baffle Width	Drill Size	Clear	Thread Length	Catalog Number	Price
P	S	L	T	W	D	C	H		
1/16	5/32	4	3/64	1/4	1/4	.10	.250	SWB01604	\$3.50
1/16	5/32	8	3/64	1/4	1/4	.10	.250	SWB01608	\$3.80
1/8	3/16	4	1/16	5/16	5/16	.12	.250	SWB01204	\$3.50
1/8	3/16	8	1/16	5/16	5/16	.12	.250	SWB01208	\$3.80
1/4	1/4	5	3/32	7/16	7/16	.17	.406	SWB02505	\$4.40
1/4	1/4	10	3/32	7/16	7/16	.17	.406	SWB02510	\$5.00
3/8	5/16	6	3/32	9/16	9/16	.21	.406	SWB03706	\$5.90
3/8	5/16	12	3/32	9/16	9/16	.21	.406	SWB03712	\$6.40
1/2	3/8	8	3/32	11/16	11/16	.26	.531	SWB05008	\$6.50
1/2	3/8	16	3/32	11/16	11/16	.26	.531	SWB05016	\$7.50
3/4	9/16	12	1/8	15/16	15/16	.35	.531	SWB07512	\$10.60
3/4	9/16	20	1/8	15/16	15/16	.35	.531	SWB07520	\$12.60
1	5/8	16	1/8	1-1/8	1-1/8	.42	.656	SWB10016	\$20.70
1	5/8	24	1/8	1-1/8	1-1/8	.42	.656	SWB10024	\$24.80

Prices subject to change without notice

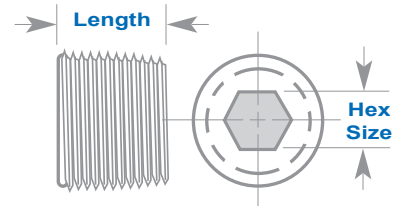
- Orientation slot provided
- A leak-free seal, up to 600 psi
- Exact tolerances for improved flow performance
- Dependable brazed SOLID BRASS construction



Plug NPT	Hex Size	Length	Baffle Thick	Baffle Width	Drill Size	Clear	Straight Length	Catalog Number	Price
P	S	L	T	W	D	C	H		
1/16	5/32	4	1/16	1/4	1/4	.10	2	TWB00604	\$4.20
1/16	5/32	8	1/16	1/4	1/4	.10	4	TWB00608	\$4.23
1/8	3/16	4	1/16	5/16	5/16	.12	2	TWB01204	\$4.20
1/8	3/16	8	1/16	5/16	5/16	.12	4	TWB01208	\$4.70
1/4	1/4	5	3/32	7/16	7/16	.17	2	TWB02505	\$5.20
1/4	1/4	10	3/32	7/16	7/16	.17	4	TWB02510	\$5.90
3/8	5/16	6	3/32	9/16	9/16	.21	2	TWB03706	\$6.90
3/8	5/16	12	3/32	9/16	9/16	.21	4	TWB03712	\$7.50
1/2	3/8	8	3/32	11/16	11/16	.26	3	TWB05008	\$7.50
1/2	3/8	16	3/32	11/16	11/16	.26	5	TWB05016	\$8.50
3/4	9/16	12	1/8	15/16	15/16	.35	4	TWB07512	\$12.00
3/4	9/16	20	1/8	15/16	15/16	.35	6	TWB07520	\$14.00
1	5/8	16	1/8	1-1/8	1-1/8	.42	5	TWB10016	\$23.40
1	5/8	24	1/8	1-1/8	1-1/8	.42	8	TWB10024	\$27.40

Prices subject to change without notice

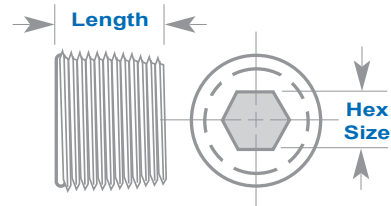
- Dry-seal thread
- For water lines
- High pressure seal
- 7/8" taper thread per foot
- Withstands pressure up to 72 psi



Nominal Plug Size	Hex Size	Length	Tap Drill	Catalog Number	Price
1/8-27	3/16	.250	21/64	SPP0125	\$0.26
1/4-18	1/4	.406	27/64	SPP0250	\$0.26
3/8-18	5/16	.406	9/16	SPP0375	\$0.53
1/2-14	3/8	.531	11/16	SPP0500	\$0.84
3/4-14	9/16	.531	57/64	SPP0750	\$1.58
1-11 1/2	5/8	.656	1-1/8	SPP1000	\$5.25

Prices subject to change without notice

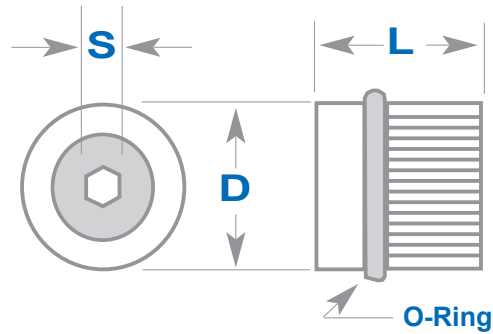
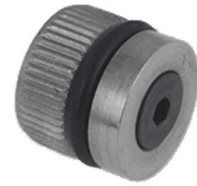
- Dry-seal thread
- For water lines
- High pressure seal
- 7/8" taper thread per foot
- Withstands pressure up to 72 psi



Nominal Plug Size	Hex Size	Length	Tap Drill	Catalog Number	Price
1/16-27	5/32	.250	D	BPP0062	\$0.42
1/8-27	3/16	.250	21/64	BPP0125	\$0.42
1/4-18	1/4	.406	27/64	BPP0250	\$0.53
3/8-18	5/16	.406	9/16	BPP0375	\$0.95
1/2-14	3/8	.531	11/16	BPP0500	\$1.47
3/4-14	9/16	.531	57/64	BPP0750	\$2.63
1-11 1/2	5/8	.656	1-1/8	BPP1000	\$8.40

Prices subject to change without notice

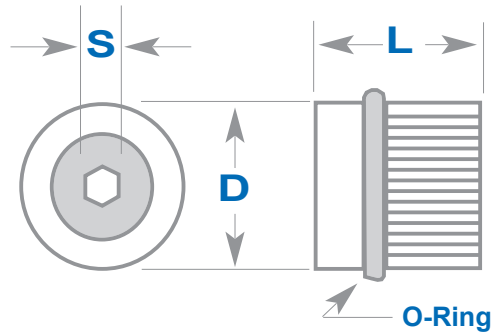
- For water lines
- Dry-seal thread
- High pressure seal
- 7/8" taper thread per foot
- Withstands pressure up to 72 psi



Nominal Plug Size	Length	Hex Size	Drill Size	Catalog Number	Price
1/8	.50	5/64	11/32	BTP125	\$2.89
1/8	.50	5/64	23/64	BTP125OS	\$2.89
1/4	.56	1/8	7/16	BTP250	\$3.00
1/4	.56	1/8	29/64	BTP250OS	\$3.00
3/8	.62	1/8	9/16	BTP375	\$3.15
3/8	.62	1/8	37/64	BTP375OS	\$3.15
1/2	.62	1/8	11/16	BTP500	\$4.50
1/2	.62	1/8	45/64	BTP500OS	\$4.50

Prices subject to change without notice

- For water lines
- Dry-seal thread
- High pressure seal
- 7/8" taper thread per foot
- Withstands pressure up to 72 psi



Nominal Plug Size	Length	Hex Size	Drill Size	Replacement O'Ring for Catalog Number	Catalog Number	Price
1/8	.50	5/64	11/32	BTP125	BTO125	\$2.05
1/4	.56	1/8	7/16	BTP250	BTO250	\$2.10
3/8	.62	1/8	9/16	BTP375	BTO375	\$2.40
1/2	.62	1/8	11/16	BTP500	BTO500	\$3.50

Prices subject to change without notice



STAINLESS BUBBLER TUBES

Tube O.D.	Tube I.D.	Thread	Tube Length	Catalog Number	Price
.093	.078	None	18"	SBT093	\$5.45
.125	.062	#5-44	18"	SBT125	\$5.45
.187	.126	#10-32	18"	SBT187	\$6.03
.250	.170	1/4-28	18"	SBT250	\$6.03

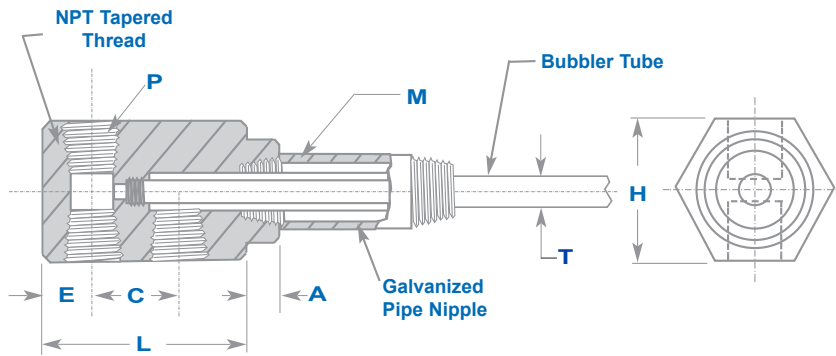
Prices subject to change without notice



BRASS BUBBLER TUBES

Tube O.D.	Tube I.D.	Thread	Tube Length	Catalog Number	Price
.125	.062	#5-44	18"	BBT125	\$5.50
.187	.123	#10-32	18"	BBT187	\$5.75
.250	.170	1/4-28	18"	BBT250	\$6.45
.312	.210	5/16-24	18"	BBT312	\$7.25
.437	.307	7/16-20	18"	BBT437	\$9.15

Prices subject to change without notice



- Cascade Water Junctions provide for easy low-cost, rigid installation and removal

- Brass tube has the rigidity to maintain uniform spacing inside the water channel and is threaded into the body for firm support

Mold Nipple (NPT)	Pipe	Tube O.D.	Hex Size	E	C	A	L	Catalog Number	Price
1/8	1/8	3/16	7/8	21/64	11/16	9/32	1-11/32	CWJ130	\$10.20
1/4	1/8	1/4	1	21/64	11/16	7/32	1-11/32	CWJ131	\$11.00
1/4	1/4	1/4	1	21/64	11/16	7/32	1-11/32	CWJ131A	\$11.00
1/4	1/8	1/4	1	21/64	1	7/16	1-21/32	CWJ132	\$11.20
1/4	1/4	1/4	1	21/64	1	7/16	1-21/32	CWJ132A	\$11.20
3/8	1/4	5/16	1	11/32	1	13/32	1-11/16	CWJ136A	\$12.00
1/2	1/4	7/16	1-1/4	13/32	1	9/16	1-13/16	CWJ138A	\$23.00

Prices subject to change without notice

- Cascade Heads assure accurate determination of tap location.
- Reduce interference of ejector pins and sprue puller pins allowing drilling of waterlines through the block

Pipe Tap Size (NPT)	Mold Nipple Size (NPT)	Catalog Number	Price
1/8	1/8	CCH130	\$6.88
	1/4	CCH131	\$7.15
	1/4	CCH132	\$7.70
1/4	1/4	CCH131A	\$7.26
	1/4	CCH132A	\$7.81
	3/8	CCH136A	\$7.92
	1/2	CCH138A	\$15.18

Prices subject to change without notice



WATER LINE DIVERTING PLUGS

Diverting Plugs are used to redirect waterflow through waterlines drilled in a mold.



Diameter	Length	Catalog Number	Price
5/16	.62	WP312	\$0.68
7/16	.62	WP437	\$0.73
9/16	.75	WP562	\$0.83
11/16	.87	WP687	\$0.94
15/16	1.25	WP937	\$1.35

Prices subject to change without notice



WATER LINE SPACER ROD

Water Line Spacer Rods are used to redirect waterflow through waterlines drilled in a mold.

Diameter	Length	Catalog Number	Price
1/8	18"	WR18	\$1.08

Prices subject to change without notice

Choice Mold Components is committed to customer satisfaction and to becoming

YOUR #1 **Choice™** FOR QUALITY

Our goal is to achieve continuous improvement of our process and policies by following:

Committed to our Customers

Hold Tight Tolerances

Opts for Quality

ISO 9001:2008 Registered

Cost effective

Excel in Quality & Delivery

Choice Mold Components, Inc.

Conditions of Sale

Pricing Policy

All items are billed at prices in effect on the date of shipment. Prices and discounts are subject to change without notice. Quoted prices accepted within 30 days are firm unless otherwise stated.

Delivery

All shipments are made FOB shipping point. All shipping dates quoted may be subject to delay by factors beyond our control. Every assistance will be provided in expediting claims although Choice Mold Components is not responsible for delays in transit or for damage of goods after delivery to carrier. Packages will be routed by our shipping department per your instructions. If no instructions are given, packages will be routed in accordance with previous shipments.

Returned Goods/Claims

1. If the product does not perform in accordance to specifications contained hereinafter, and if the product is used in accordance with the intended application, product may be returned for full credit or replacement. Liability is limited to the price of the item sold.
2. Approval must be obtained from Choice Mold Components prior to return. Items are subject to inspection prior to replacement or credit.
3. No credit is allowed for any additional labor costs expended on our products.
4. Claims for shortages or errors must be made within one business day from receipt of shipment.
5. Returns due to customer error may be subject to a minimum service charge of 10%.
6. Special tooling is not returnable unless manufactured to specifications other than given on signed blueprint.
7. No products are returnable without verbal approval and prepaid transportation.
8. No products are returnable later than 30 days after receipt of merchandise.

Ordering

Phone Orders

Our customer service department operates Monday through Friday from 8 am to 4:30 pm (EST)

Phone: 586-783-5600
Toll Free: 800-425-3171 (in USA only)

Internet Orders

Orders can be placed 24 hours a day online at: choicemold.com

Email & Fax Orders

Orders can be faxed or emailed as follows:

Fax: 586-783-5555
Toll Free: 800-425-3177 (in USA only)

Email: world@choicemold.com

Orders for Pickup

For your convenience orders may be picked up at our facility. Please call first for availability and directions.

Credit Policy

New Customers

Prepayment will be required on all first orders. We accept Mastercard, Visa, American Express, ACH payment or a company check. You may complete and submit a credit application for review for future orders.

Payment Terms

Our payment terms for all customers with open credit are Net 30 Days. Invoices can be paid with company check, ACH payment, Mastercard, Visa or American Express.

Payment Discount

A 2% payment discount is offered to customers willing to pay invoices in 15 days. Please call our accounting department if you would like to take advantage of this payment discount.

CREDIT APPLICATION

Business Information

Business Name		Phone	
A.K.A.		Fax	
Billing Address		Shipping Address	
City		City	
State	Zip	State	Zip
Federal Tax ID#		Date Established	
Number of Employees		Principal (Name & Title)	
Accounts Payable Contact		Purchasing Contact	
Phone		Phone	
Fax		Fax	
Email		Email	

Trade References

Business Name	Address	City, State & Zip
Phone:	Fax:	Email:

Business Name	Address	City, State & Zip
Phone:	Fax:	Email:

Business Name	Address	City, State & Zip
Phone:	Fax:	Email:

Bank Reference

Bank Name	Type of Account
Address	Account Number
City, State, Zip	Phone