

- Machined edges
- Lengths up to 96"
- Ground top and bottom
- 9 thicknesses & 15 widths available
- Copper-in alloy plating in 24-28 RC with a thickness of .008 - .010

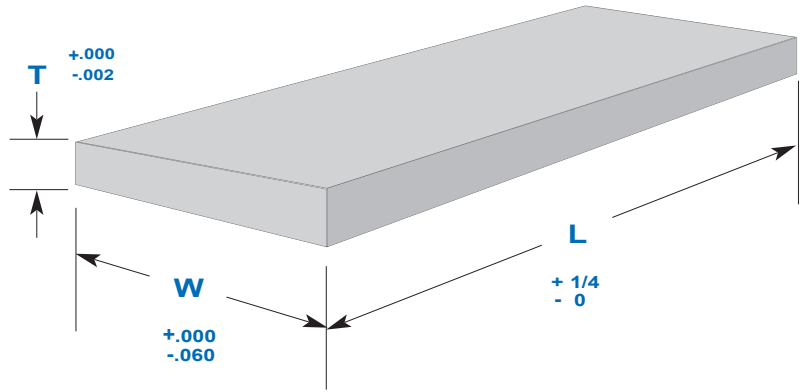


Plate Thick	Plate Width	Catalog Number	Price per Inch	Plate Thick	Plate Width	Catalog Number	Price Per Inch	Plate Thick	Plate Width	Catalog Number	Price Per Inch	Plate Thick	Plate Width	Catalog Number	Price Per Inch		
T	W			T	W			T	W			T	W				
1/8	1	FP1250100	\$2.12	1/4	4	FP2500400	\$8.79	3/8	6	FP3750600	\$12.86	5/8	12	FP6251200	\$28.35		
	1-1/4	FP1250125	\$2.73		4-1/2	FP2500450	\$9.82		8	FP3750800	\$18.24		1	FP7500100	\$2.78		
	1-1/2	FP1250150	\$3.22		5	FP2500500	\$10.73		10	FP3751000	\$23.10		1-1/4	FP7500125	\$3.73		
	1-3/4	FP1250175	\$3.78		6	FP2500600	\$12.20		12	FP3751200	\$27.06		1-1/2	FP7500150	\$4.28		
	2	FP1250200	\$4.25		8	FP2500800	\$18.06		1	FP5000100	\$2.55		1-3/4	FP7500175	\$4.86		
	2-1/2	FP1250250	\$5.30		10	FP2501000	\$22.91		1-1/4	FP5000125	\$3.13		2	FP7500200	\$5.44		
	3	FP1250300	\$6.27		12	FP2501200	\$26.91		1-1/2	FP5000150	\$3.78		2-1/2	FP7500250	\$6.98		
	3-1/2	FP1250350	\$7.32		1	FP3120100	\$2.39		1-3/4	FP5000175	\$4.28		3	FP7500300	\$8.17		
	4	FP1250400	\$8.47		1-1/4	FP3120125	\$2.97		2	FP5000200	\$4.91		3-1/2	FP7500350	\$9.52		
	4-1/2	FP1250450	\$9.43		1-1/2	FP3120150	\$3.43		2-1/2	FP5000250	\$6.06		4	FP7500400	\$10.73		
	5	FP1250500	\$10.47		1-3/4	FP3120175	\$4.07		3	FP5000300	\$7.32		4-1/2	FP7500450	\$12.20		
	6	FP1250600	\$11.42		2	FP3120200	\$4.73		3-1/2	FP5000350	\$8.68		5	FP7500500	\$13.37		
3/16	1	FP1870100	\$2.29	5/16	2-1/2	FP3120250	\$5.70	1/2	4	FP5000400	\$9.69	3/4	6	FP7500600	\$15.98		
	1-1/4	FP1870125	\$2.78		3	FP3120300	\$6.90		4-1/2	FP5000450	\$10.82		8	FP7500800	\$20.81		
	1-1/2	FP1870150	\$3.33		3-1/2	FP3120350	\$7.84		5	FP5000500	\$11.89		10	FP7501000	\$25.33		
	1-3/4	FP1870175	\$3.86		4	FP3120400	\$8.95		6	FP5000600	\$13.97		12	FP7501200	\$29.66		
	2	FP1870200	\$4.28		4-1/2	FP3120450	\$10.08		8	FP5000800	\$18.48		1	1	FP9990100	\$2.97	
	2-1/2	FP1870250	\$5.41		5	FP3120500	\$11.36		10	FP5001000	\$23.50			1-1/4	FP9990125	\$3.86	
	3	FP1870300	\$6.44		6	FP3120600	\$12.26		12	FP5001200	\$27.64			1-1/2	FP9990150	\$4.73	
	3-1/2	FP1870350	\$7.49		8	FP3120800	\$18.17		1	FP6250100	\$2.74			1-3/4	FP9990175	\$5.44	
	4	FP1870400	\$8.68		10	FP3121000	\$23.07		1-1/4	FP6250125	\$3.33			2	FP9990200	\$6.06	
	4-1/2	FP1870450	\$9.69		12	FP3121200	\$27.02		1-1/2	FP6250150	\$4.06			2-1/2	FP9990250	\$7.74	
	5	FP1870500	\$10.63		3/8	1	FP3750100		\$2.50	1-3/4	FP6250175			\$4.55	3	FP9990300	\$8.95
	6	FP1870600	\$11.71			1-1/4	FP3750125		\$3.10	2	FP6250200			\$5.30	3-1/2	FP9990350	\$10.53
8	FP1870800	\$17.90	1-1/2	FP3750150		\$3.73	2-1/2	FP6250250	\$6.46	4	FP9990400	\$11.89					
1/4	1	FP2500100	\$2.31	1-3/4		FP3750175	\$4.25	3	FP6250300	\$7.82	4-1/2	FP9990450		\$13.55			
	1-1/4	FP2500125	\$2.91	2		FP3750200	\$4.81	3-1/2	FP6250350	\$8.95	5	FP9990500		\$14.70			
	1-1/2	FP2500150	\$3.39	2-1/2		FP3750250	\$5.93	4	FP6250400	\$10.45	6	FP9990600		\$17.61			
	1-3/4	FP2500175	\$4.06	3		FP3750300	\$6.98	4-1/2	FP6250450	\$11.62	8	FP9990800	\$22.29				
	2	FP2500200	\$4.55	3-1/2		FP3750350	\$7.90	5	FP6250500	\$12.68	10	FP9991000	\$27.86				
	2-1/2	FP2500250	\$5.44	4		FP3750400	\$8.96	6	FP6250600	\$15.10	12	FP9991200	\$32.79				
	3	FP2500300	\$6.62	4-1/2		FP3750450	\$10.45	8	FP6250800	\$19.67							
	3-1/2	FP2500350	\$7.74	5		FP3750500	\$11.42	10	FP6251000	\$24.65							

Prices subject to change without notice