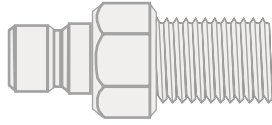


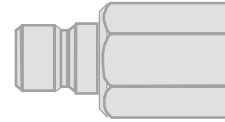
## Male Connector



- Male water connectors have a one piece brass construction for easy removal and assembly
- Male may be mounted externally or flush

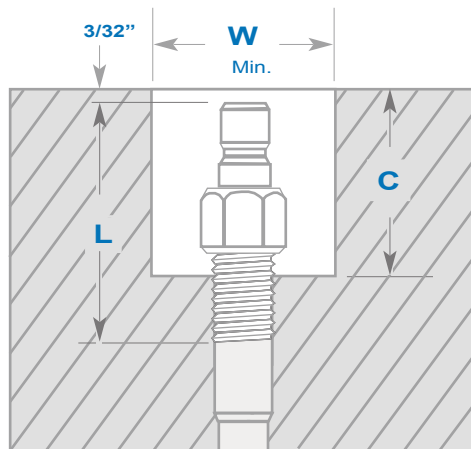
Overall Length L	Hole Dia. O	C'Bore Depth C	C'Bore Dia. W	External Height H	Pipe NPT E	Hex Size X	Catalog Number
.94	3/16	.763	.588	.670	1/16	3/8	WCM250
1.00	1/4	.763	.688	.670	1/8	7/16	WCM251
1.19	1/4	.968	.798	.875	1/4	9/16	WCM252
1.25	1/4	1.000	.953	.906	3/8	11/16	WCM253
1.19	1/4	1.000	.798	.906	1/8	9/16	WCM351
1.44	3/8	1.120	.798	1.030	1/4	9/16	WCM352
1.44	3/8	1.150	.953	1.060	3/8	11/16	WCM353
1.68	3/8	1.280	1.200	1.190	1/2	7/8	WCM354
1.63	3/8	1.340	1.110	1.250	1/4	13/16	WCM552
1.63	1/2	1.340	1.110	1.250	3/8	13/16	WCM553
1.81	5/8	1.300	1.200	1.350	1/2	7/8	WCM554
1.88	5/8	1.360	1.500	1.300	3/4	1-1/8	WCM556

## Female Connector

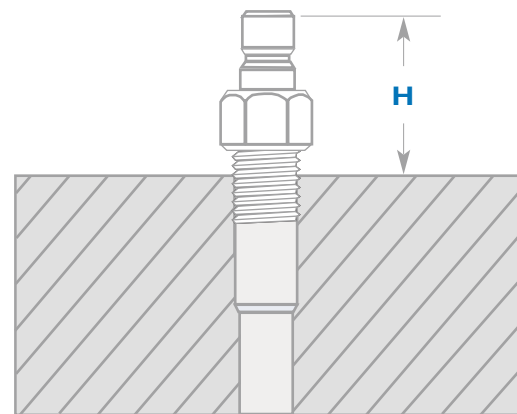


- Female water connectors are zinc plated steel and can be attached to any length pipe nipples
- Both provide an excellent leak-free seal

Overall Length L	Hole Dia. O	Pipe NPT E	Hex Size X	Catalog Number
.75	.250	1/16	3/8	WCF250
1.00	.250	1/8	1/2	WCF251
1.30	.250	1/4	5/8	WCF252
1.40	.250	3/8	3/4	WCF253
1.00	.375	1/8	9/16	WCF351
1.35	.375	1/4	5/8	WCF352
1.40	.375	3/8	3/4	WCF353
1.50	.375	1/2	1	WCF354
1.25	.562	1/4	13/16	WCF553
1.93	.562	1/2	1	WCF554
1.88	.562	3/4	1-1/4	WCF556



**Flush Mounted**



**Externally Mounted**