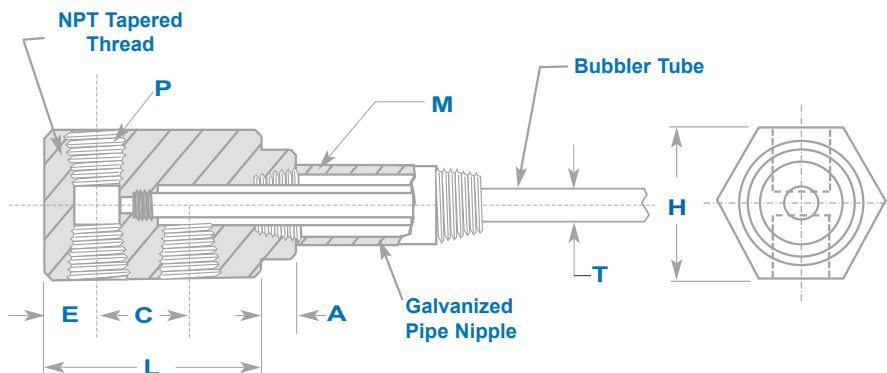


Cascade Water Junctions

- Cascade Water Junctions provide for easy low-cost, rigid installation and removal
- Brass tube has the rigidity to maintain uniform spacing inside the water channel and is threaded into the body for firm support



Mold Nipple (NPT)	Pipe Tap (NPT)	Tube O.D.	Hex Size	E	C	A	L	Catalog Number
1/8	1/8	3/16	7/8	21/64	11/16	9/32	1-11/32	CWJ130
1/4	1/8	1/4	1	21/64	11/16	7/32	1-11/32	CWJ131
1/4	1/4	1/4	1	21/64	11/16	7/32	1-11/32	CWJ131A
1/4	1/8	1/4	1	21/64	1	7/16	1-21/32	CWJ132
1/4	1/4	1/4	1	21/64	1	7/16	1-21/32	CWJ132A
3/8	1/4	5/16	1	11/32	1	13/32	1-11/16	CWJ136A
1/2	1/4	7/16	1-1/4	13/32	1	9/16	1-13/16	CWJ138A

Cascade Heads

- Cascade Heads assure accurate determination of tap location
- Reduce interference of ejector pins and sprue puller pins allowing drilling of waterlines through the block

Pipe Tap Size (NPT)	Mold Nipple Size (NPT)	Catalog Number
1/8	1/8	CCH130
	1/4	CCH131
	1/4	CCH132
1/4	1/4	CCH131A
	1/4	CCH132A
	3/8	CCH136A
	1/2	CCH138A

Bubbler Tubes

Brass Tubes

Tube O.D.	Tube I.D.	Thread	Tube Length	Catalog Number
.125	.069	#5-44	18"	BBT125
.190	.126	#10-32	18"	BBT187
.250	.170	1/4-28	18"	BBT250
.312	.214	5/16-24	18"	BBT312
.437	.307	7/16-20	18"	BBT437

Stainless Steel Tubes

Tube O.D.	Tube I.D.	Thread	Tube Length	Catalog Number
.093	.078	None	18"	SBT093
.125	.069	#5-44	18"	SBT125
.190	.126	#10-32	18"	SBT187
.250	.170	1/4-28	18"	SBT250