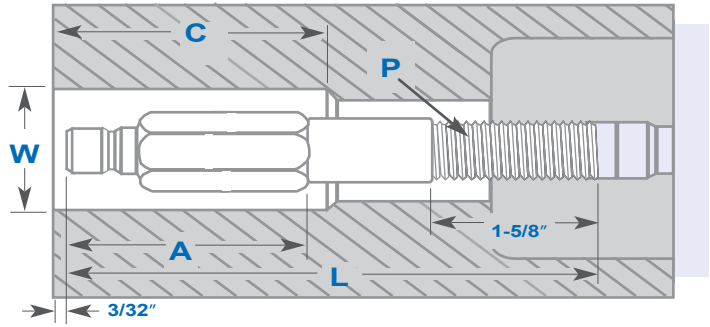
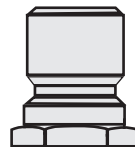


- Easy length adjustments
- Tapered thread provides an excellent leak-free seal
- One Piece Brass Alloy construction for easy removal & assembly



200 SERIES (1/4" HOLE)

Thread Size	Hex Size	C'Bore Dia	C'Bore Depth	Head Length	Overall Length	Catalog Number	Price
T	H	W	C	A	L		
1/16	.375	.750	1.000	0.69	2.5	BEF250025	\$3.99
				1.00	4.0	BEF250040	\$4.10
1/8	.438	.875	1.250	0.69	2.5	BEF251025	\$2.94
				1.00	4.0	BEF251040	\$3.05
				1.00	5.5	BEF251055	\$4.41
				1.00	7.0	BEF251070	\$5.25
				1.00	8.5	BEF251085	\$6.20
				1.00	10.0	BEF251100	\$7.35
1/4	.563	.875	1.500	0.88	2.5	BEF252025	\$3.26
				1.25	4.0	BEF252040	\$3.36
				1.25	5.5	BEF252055	\$4.41
				1.25	7.0	BEF252070	\$5.57
				1.25	8.5	BEF252085	\$7.98
				1.25	10.0	BEF252100	\$8.61



300 SERIES (3/8" HOLE)

Thread Size	Hex Size	C'Bore Dia	C'Bore Depth	Head Length	Overall Length	Catalog Number	Price
P	H	W	C	A	L		
1/16	.563	N/A	N/A	.88	2.5	BEF350025	\$3.68
				1.00	4.0	BEF350040	\$4.20
				1.00	5.5	BEF350055	\$6.09
1/8	.563	1.000	1.250	.88	2.5	BEF351025	\$3.15
				1.00	4.0	BEF351040	\$3.15
				1.00	5.5	BEF351055	\$4.73
				1.00	7.0	BEF351070	\$5.25
				1.00	7.0	BEF351070	\$5.25
1/4	.563	1.000	1.500	.88	2.5	BEF352025	\$4.20
				1.25	4.0	BEF352040	\$3.57
				1.25	5.5	BEF352055	\$4.41
				1.25	7.0	BEF352070	\$5.25
				1.25	8.5	BEF352085	\$7.04
				1.25	10.0	BEF352100	\$8.40
				1.25	11.5	BEF352115	\$8.93
3/8	.688	1.125	1.500	1.00	2.5	BEF353025	\$4.46
				1.25	4.0	BEF353040	\$4.73
				1.25	5.5	BEF353055	\$5.57
				1.25	7.0	BEF353070	\$6.62



500 SERIES (1/2" HOLE)

Thread Size	Hex Size	C'Bore Dia	C'Bore Depth	Head Length	Overall Length	Catalog Number	Price
P	H	W	C	A	L		
3/8	.813	1.375	1.625	1.13	2.5	BEF553025	\$4.46
				1.38	4.0	BEF553040	\$5.09
				1.38	5.5	BEF553055	\$6.14
				1.38	7.0	BEF553070	\$7.88

PIPE SIZE CHART

Pipe Size	O.D. Of Pipe	I.D. Of Pipe	Tap Drill Size		Minimum Tap Drill Length	Normal Thread Engage for Tight Joint
			Without Ream	With Ream		
1/16-27	.312	.209	1/4	15/64	9/16	.271
1/8-27	.405	.269	11/32	21/64	5/8	.273
1/4-18	.540	.364	7/16	27/64	13/16	.394
3/8-18	.675	.493	37/64	9/16	7/8	.407

Prices subject to change without notice