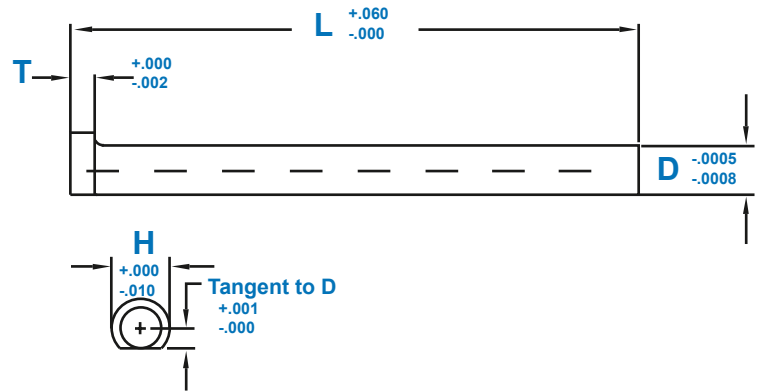


# Ejector Pins: D Head

## M-2 Steel

- Precision ground parallel to body for better fit.
- Flats ground tangent to the pin diameter
- Precision Fit - No Slop
- Tighter tolerances
- Dowels not required
- Save time and money - Machining not required
- Fast replacement on repairs
- Diameters not shown available upon request



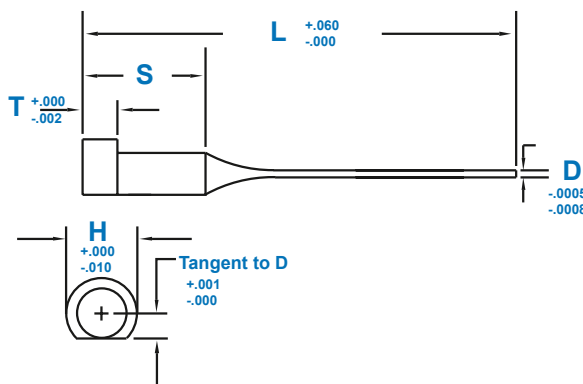
### Straight Style Pins - Tangent

Pin Dia D	Head Dia H	Head Thick T	L= Overall Length		
			6"	10"	14"
1/8	1/4	1/8	XPD12506	XPD12510	XPD12514
9/64	1/4	1/8	XPD14006	XPD14010	XPD14014
5/32	9/32	5/32	XPD15606	XPD15610	XPD15614
11/64	11/32	3/16	XPD17106	XPD17110	XPD17114
3/16	3/8	3/16	XPD18706	XPD18710	XPD18714
13/64	3/8	3/16	XPD20306	XPD20310	XPD20314
7/32	13/32	3/16	XPD21806	XPD21810	XPD21814
15/64	13/32	3/16	XPD23406	XPD23410	XPD23414
1/4	7/16	3/16	XPD25006	XPD25010	XPD25014
17/64	7/16	1/4	XPD26506	XPD26510	XPD26514
9/32	7/16	1/4	XPD28106	XPD28110	XPD28114
19/64	1/2	1/4	XPD29606	XPD29610	XPD29614
5/16	1/2	1/4	XPD31206	XPD31210	XPD31214
21/64	9/16	1/4	XPD32806	XPD32810	XPD32814
11/32	9/16	1/4	XPD34306	XPD34310	XPD34314
23/64	5/8	1/4	XPD35906	XPD35910	XPD35914
3/8	5/8	1/4	XPD37506	XPD37510	XPD37514
25/64	37/64	1/4	XPD39006	XPD39010	XPD39014
13/32	11/16	1/4	XPD40606	XPD40610	XPD40614
27/64	11/16	1/4	XPD42106	XPD42110	XPD42114
7/16	11/16	1/4	XPD43706	XPD43710	XPD43714
29/64	45/64	1/4	XPD45306	XPD45310	XPD45314
15/32	3/4	1/4	XPD46806	XPD46810	XPD46814
31/64	3/4	1/4	XPD48406	XPD48410	XPD48414
1/2	3/4	1/4	XPD50006	XPD50010	XPD50014

### Custom Flats

Flat ground to a specific distance from the center of the pin.

Call our sales department for pricing information.



### Step Style Pins - Tangent

Pin Dia D	Shoulder Length					
	2"		3"		4"	
	6"	8"	10"	8"	8"	10"
1/32	XTD0312006	XTD0312008	XTD0312010	XTD0313008	XTD0314008	
3/64	XTD0462006	XTD0462008	XTD0462010	XTD0463008	XTD0464008	XTD0464010
1/16	XTD0622006	XTD0622008	XTD0622010	XTD0623008	XTD0624008	XTD0624010
5/64	XTD0782006	XTD0782008	XTD0782010	XTD0783008	XTD0784008	XTD0784010
3/32	XTD0932006	XTD0932008	XTD0932010	XTD0933008	XTD0934008	XTD0934010
7/64	XTD1092006	XTD1092008	XTD1092010	XTD1093008	XTD1094008	XTD1094010